

7/21/99
BY AMPH INC.

12143569-0008

76231

Dallas, Texas

5690 Glen Lakes Drive

AMPH, Inc. Architects and Planners

amph

ROCKWALL OFFICE/RETAIL

CITY OF ROCKWALL, TEXAS

JOB NO. 99-339

DRAWN BY _____

CHECKED BY _____

ISSUE DATE

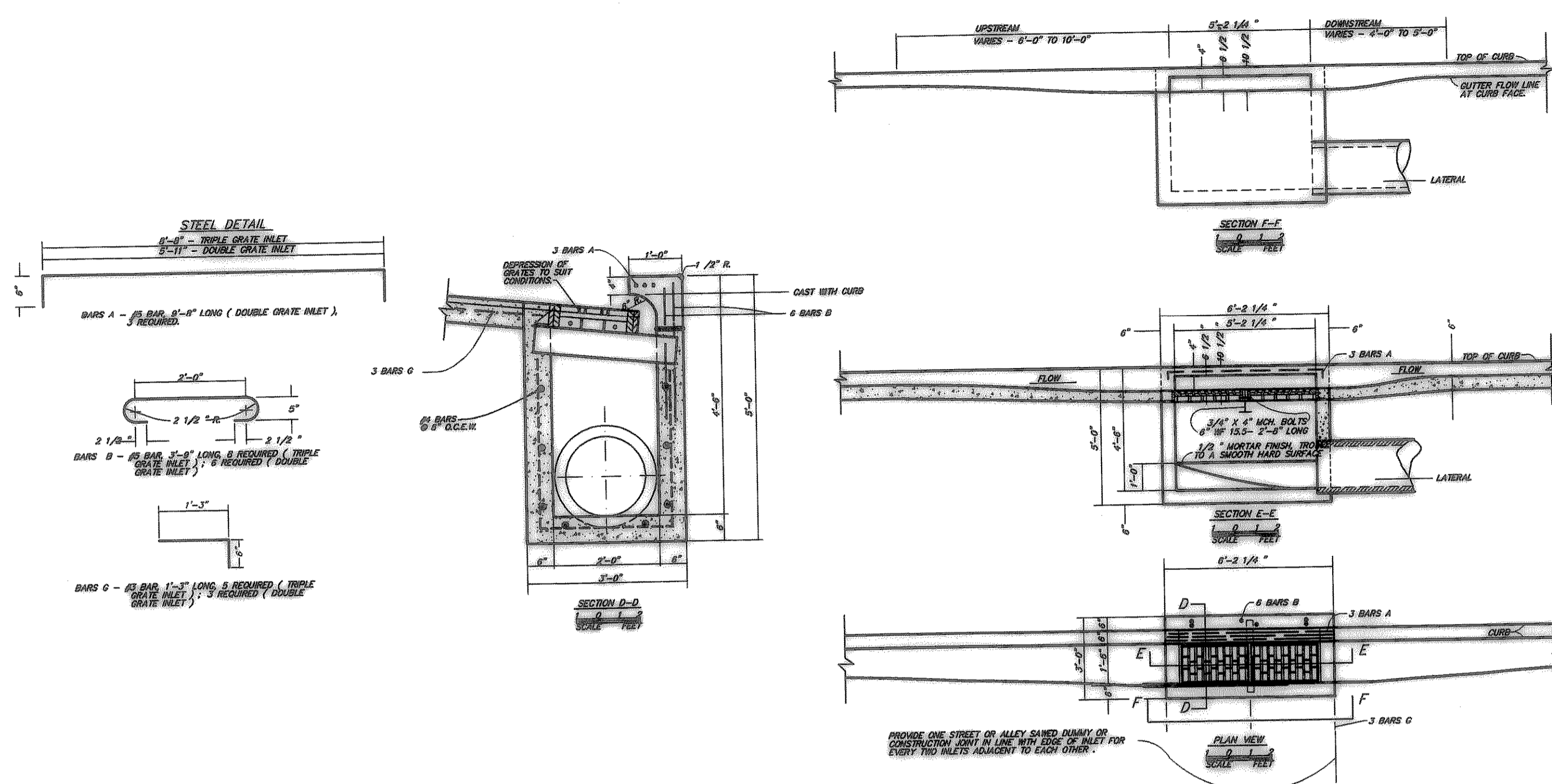
10-25-99

REVISIONS

SHEET NUMBER

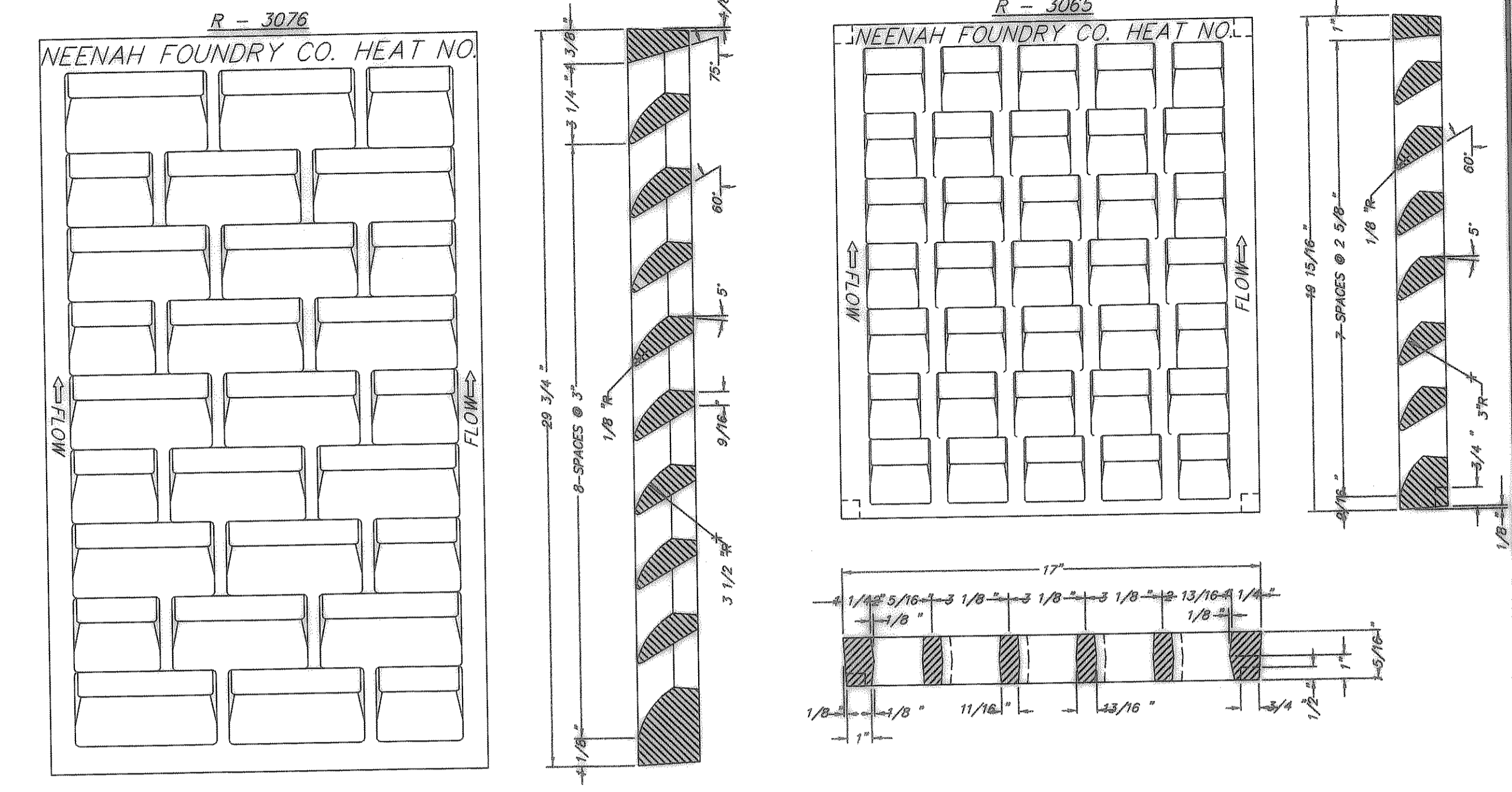
C8

SHEET OF _____

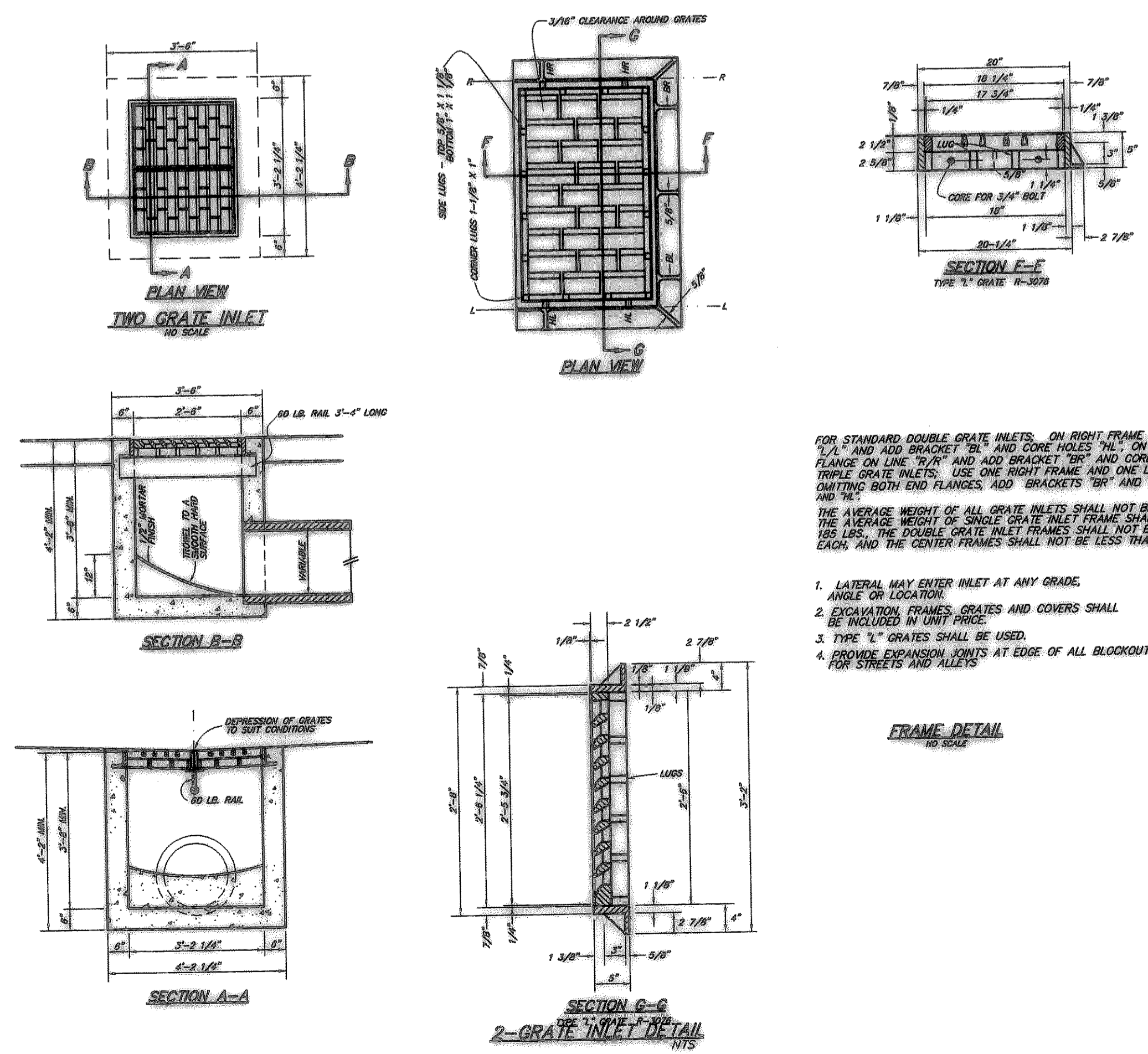


DOUBLE GRATE INLET DETAIL NTS

- GENERAL NOTES:
1. PROVIDE EXPANSION JOINTS ALONG EDGES OF ALL STREET PAVEMENT BLOCKOUTS.
 2. CONCRETE FOR INLET TOPS SHALL BE CLASS A HAND FINISH CONCRETE (4500 PSI) WHEN USED IN STREETS AND ALLEYS.
 3. TYPE "L" GRATES SHALL BE USED.
 4. REINFORCING STEEL AND CASTING SHALL CONFORM TO THE SPECIFICATIONS.



TYPE "L" GRATES DETAIL NTS



FOR STANDARD DOUBLE GRATE INLETS, ON RIGHT FRAME OMIT FLANGE ON LINE 1-1' AND ADD BRACKET "BR" AND CORE HOLES "CH". ON LEFT FRAME OMIT FLANGE ON LINE 2-2' AND ADD BRACKET "BL" AND CORE HOLES "CH". FOR STANDARD TRIPLE GRATE INLETS, USE ONE RIGHT FRAME AND ONE LEFT FRAME AND ONE FRAME OMITTING BOTH END FLANGES, ADD BRACKETS "BR" AND "BL" AND CORE HOLES "CH" AND "CL".

THE AVERAGE WEIGHT OF ALL GRATE INLETS SHALL NOT BE LESS THAN 153 LBS. THE AVERAGE WEIGHT OF SINGLE GRATE INLET FRAME SHALL NOT BE LESS THAN 105 LBS. THE DOUBLE GRATE INLET FRAME SHALL NOT BE LESS THAN 177 LBS. EACH, AND THE CENTER FRAMES SHALL NOT BE LESS THAN 170 LBS. EACH.

1. LATERAL MAY ENTER INLET AT ANY GRADE, ANGLE OR LOCATION.
2. EXCAVATION FRAMES, GRATES AND COVERS SHALL BE INCLUDED IN UNIT PRICE.
3. TYPE "L" GRATES SHALL BE USED.
4. PROVIDE EXPANSION JOINTS AT EDGE OF ALL BLOCKOUTS FOR STREETS AND ALLEYS.

P:\CIVIL\98939\98939DET1117.dwg Tue Sep 12 13:45:24 2000 R. KIDD