

7/21/99
BY ANPH INC.

ANPH, Inc. Architects and Planners 5499 Glen Lakes Drive Dallas, Texas 75231 (214)360-9066

anph

ROCKWALL OFFICE/RETAIL
CITY OF ROCKWALL, TEXAS

JOB NO. 99-339

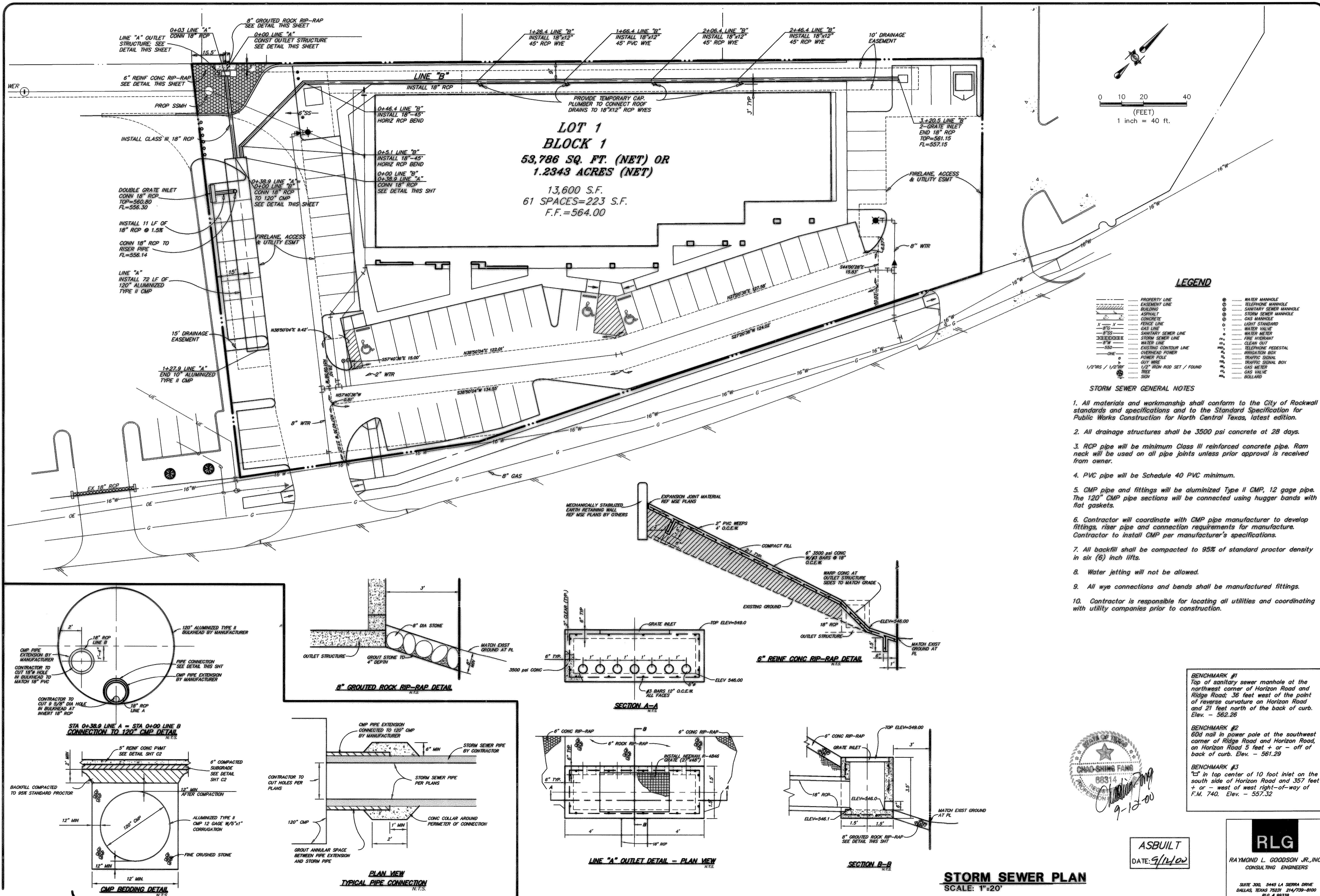
DRAWN BY
CHECKED BY
ISSUE DATE
10-25-99

REVISIONS

SHEET NUMBER

C5

SHEET OF



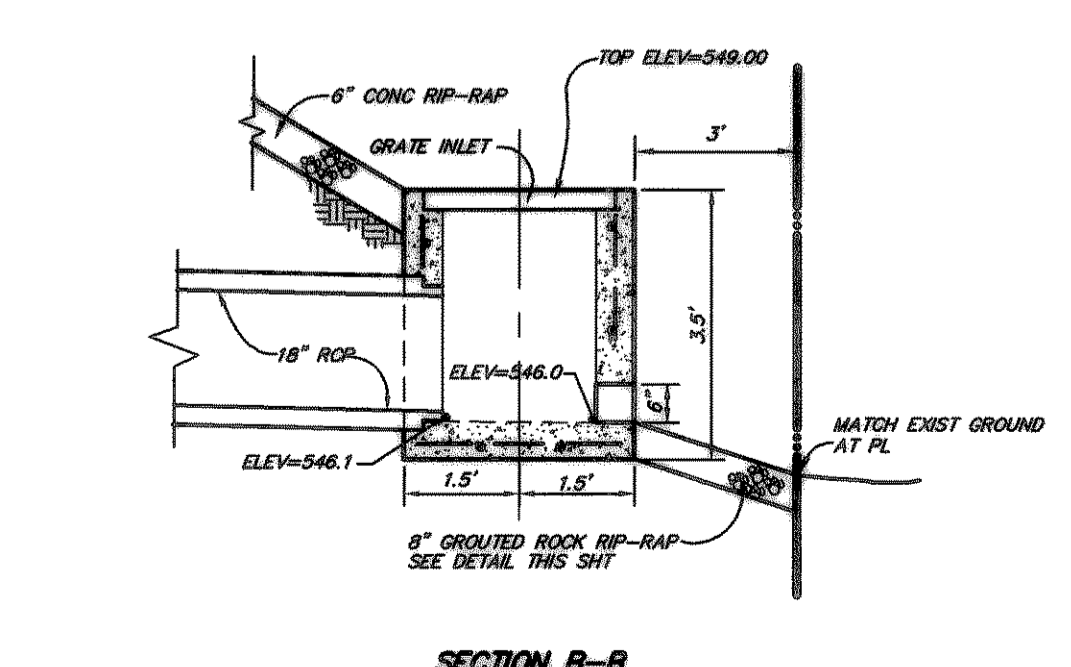
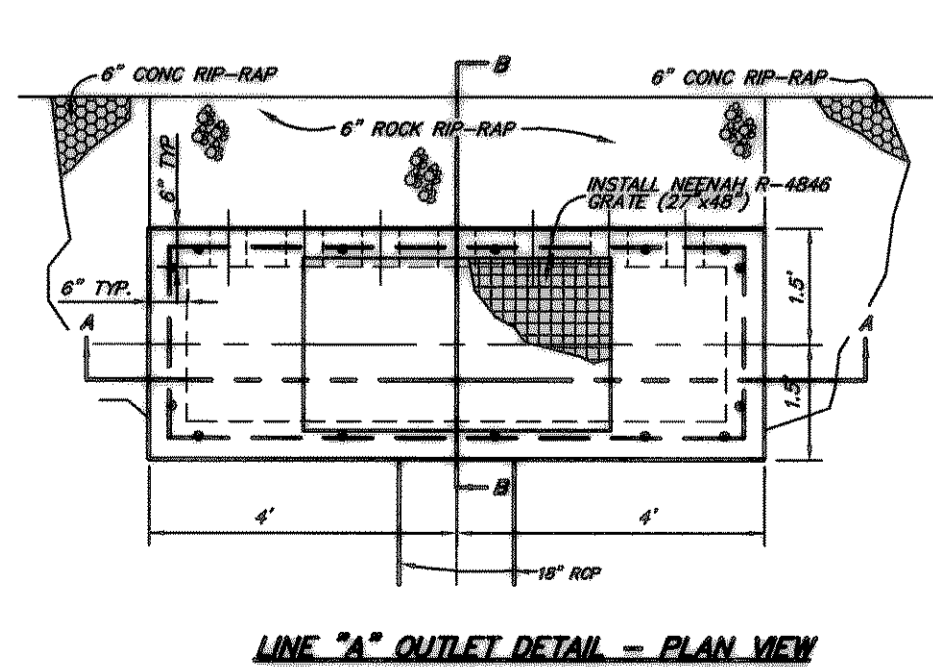
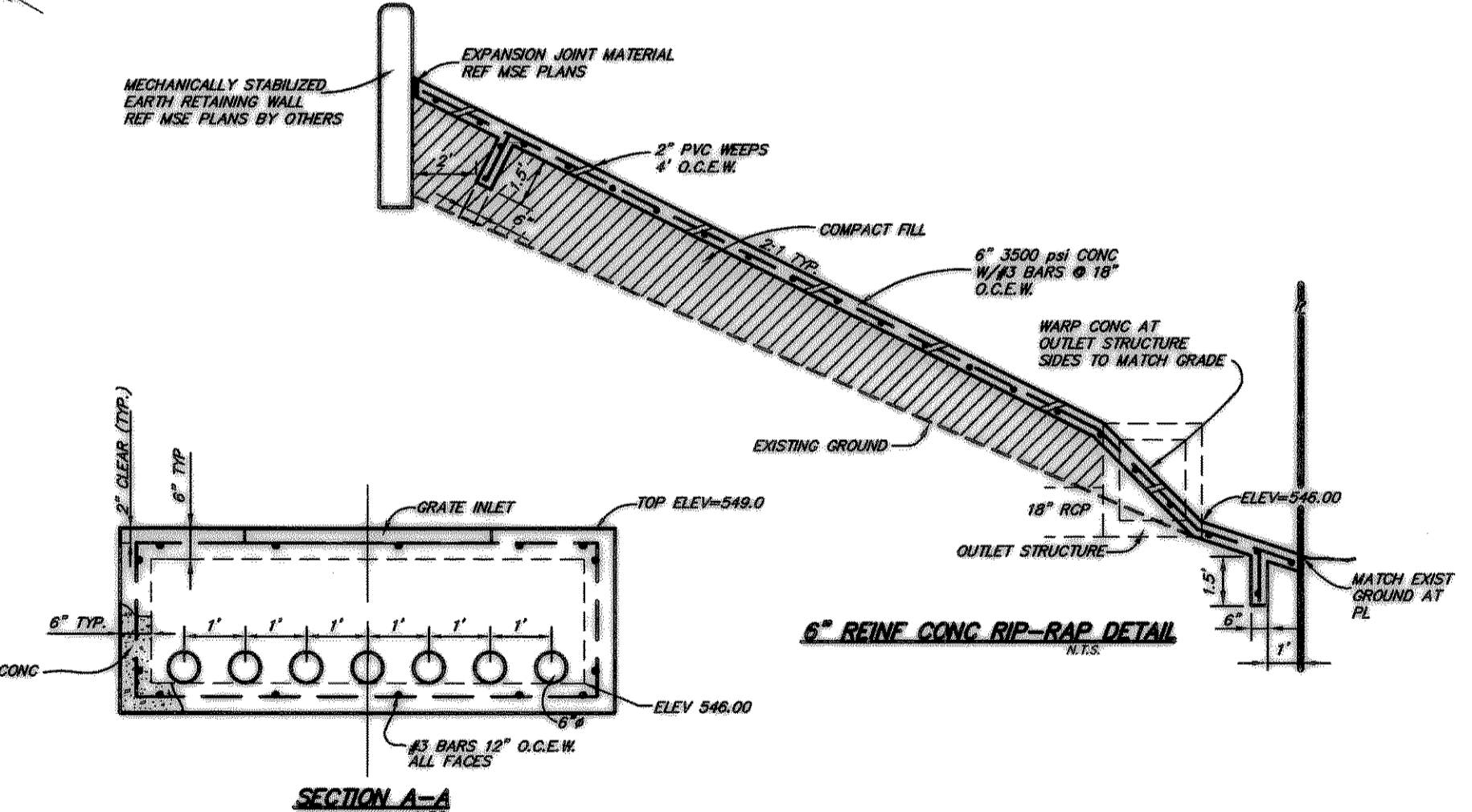
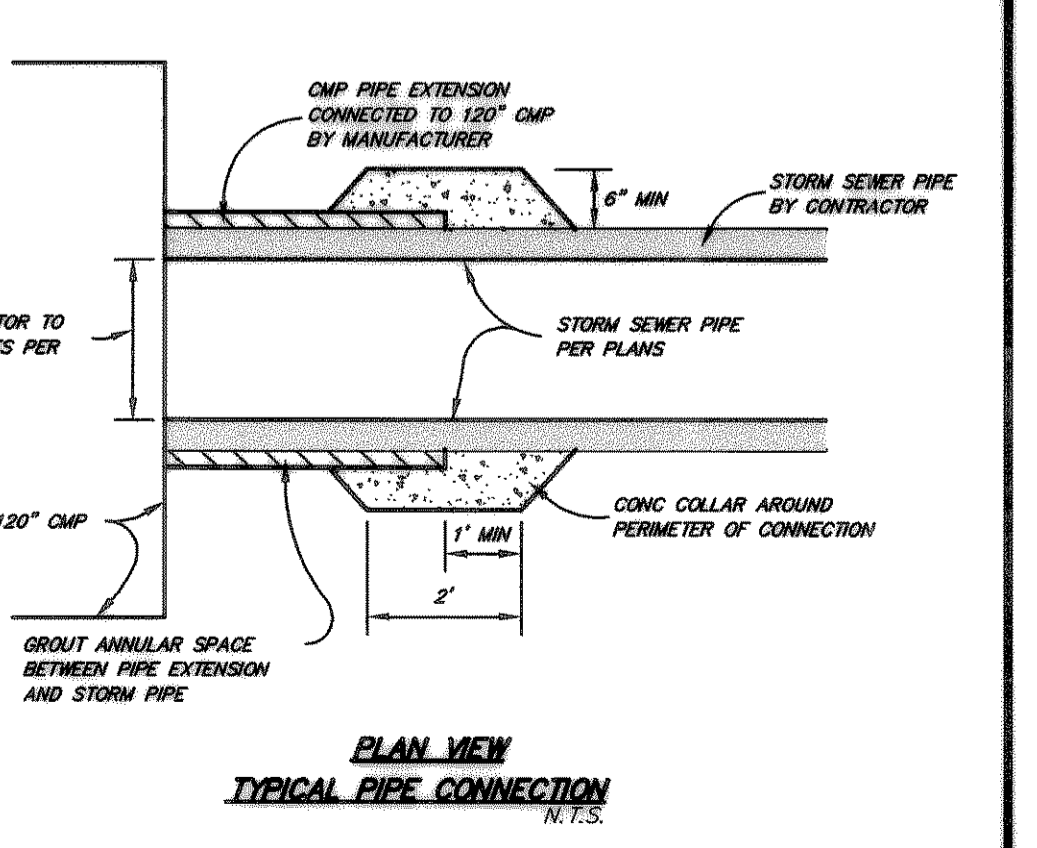
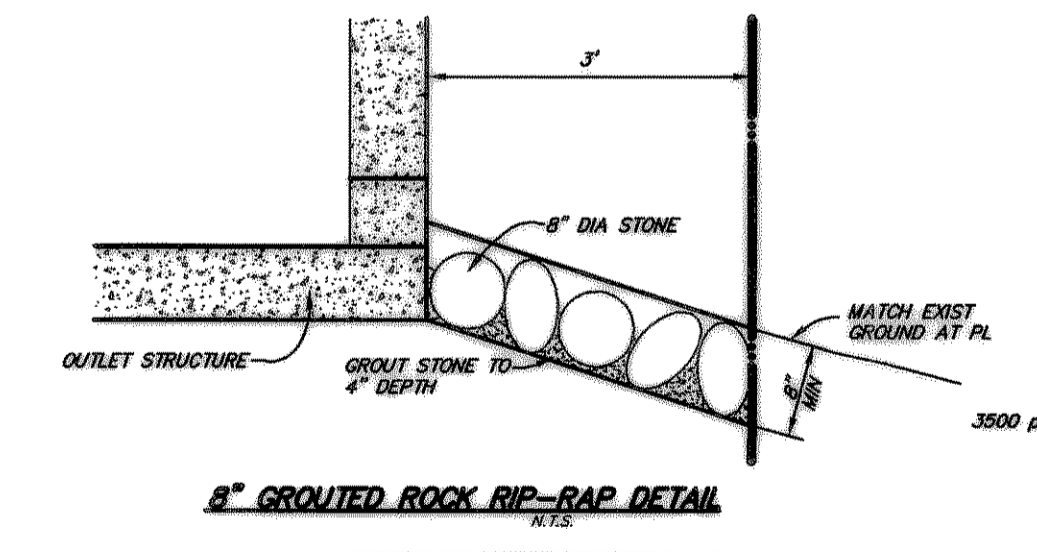
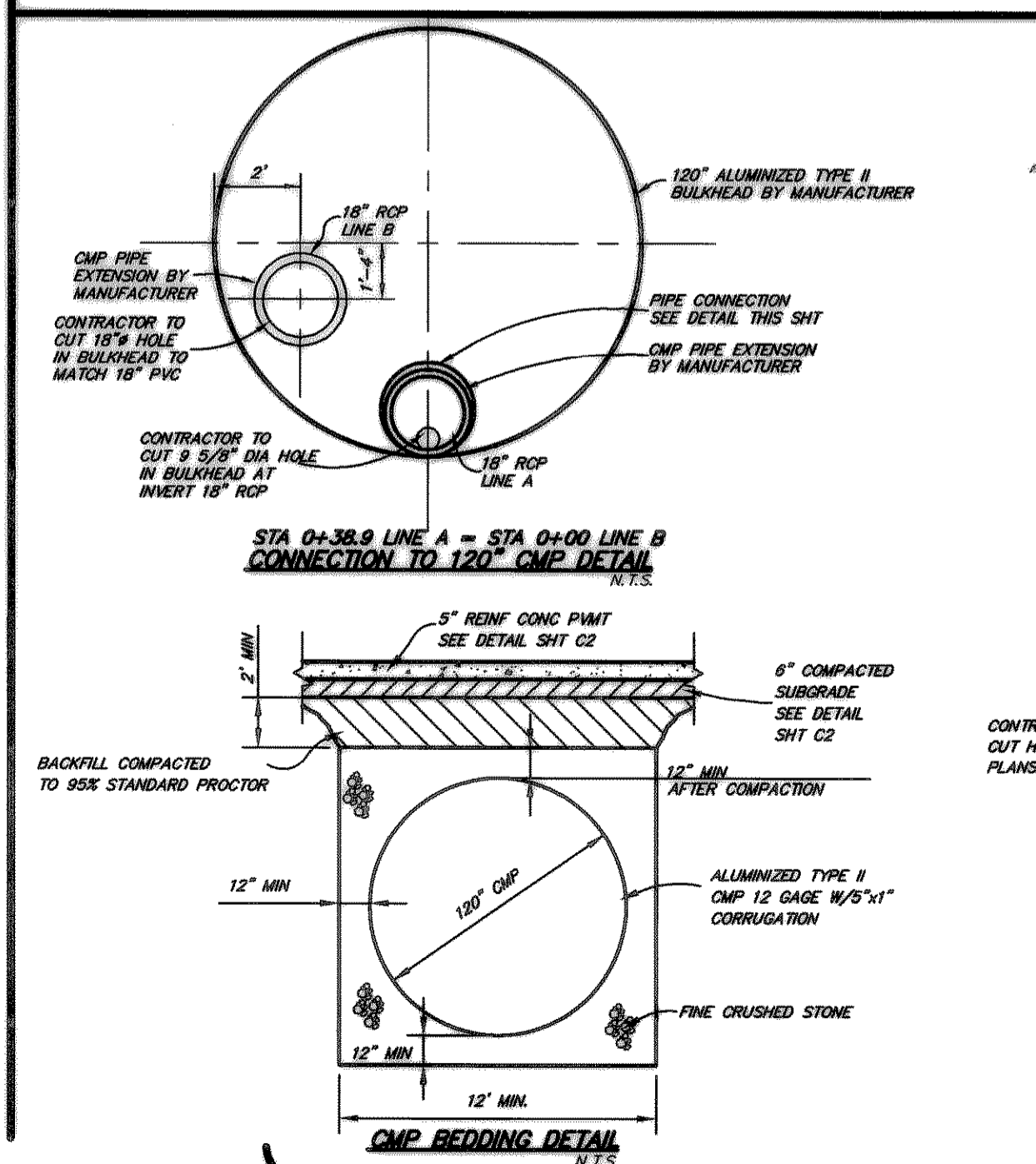
**LOT 1
BLOCK 1**
53,786 SQ. FT. (NET) OR
1.2343 ACRES (NET)
13,600 S.F.
61 SPACES=223 S.F.
F.F.=564.00

LEGEND

| | | | |
|-----|---------------------------|---|------------------------|
| --- | PROPERTY LINE | ○ | WATER MANHOLE |
| --- | EASEMENT LINE | ○ | SANITARY SEWER MANHOLE |
| --- | BUILDING | ○ | STORM SEWER MANHOLE |
| --- | ASPHALT | ○ | CONCRETE |
| --- | FENCE LINE | ○ | GAS MANHOLE |
| --- | GAS LINE | ○ | LIGHT STANDARD |
| --- | STORM SEWER LINE | ○ | WATER VALVE |
| --- | WATER LINE | ○ | WATER METER |
| --- | EXISTING CONTOUR LINE | ○ | FIRE HYDRANT |
| --- | OVERHEAD POWER | ○ | CLEAN OUT |
| --- | POWER POLE | ○ | TELEPHONE PEDESTAL |
| --- | 1/2" IRON ROD SET / FOUND | ○ | TRANSFORMER BOX |
| --- | TREE | ○ | TRAFFIC SIGNAL |
| --- | SHrub | ○ | TRAFFIC SIGNAL BOX |
| --- | | ○ | GAS METER |
| --- | | ○ | GAS VALVE |
| --- | | ○ | BOLLARD |

STORM SEWER GENERAL NOTES

1. All materials and workmanship shall conform to the City of Rockwall standards and specifications and to the Standard Specification for Public Works Construction for North Central Texas, latest edition.
2. All drainage structures shall be 3500 psi concrete at 28 days.
3. RCP pipe will be minimum Class III reinforced concrete pipe. Ram neck will be used on all pipe joints unless prior approval is received from owner.
4. PVC pipe will be Schedule 40 PVC minimum.
5. CMP pipe and fittings will be aluminized Type II CMP, 12 gage pipe. The 120" CMP pipe sections will be connected using hugger bands with flat gaskets.
6. Contractor will coordinate with CMP pipe manufacturer to develop fittings, riser pipe and connection requirements for manufacture. Contractor to install CMP per manufacturer's specifications.
7. All backfill shall be compacted to 95% of standard proctor density in six (6) inch lifts.
8. Water jetting will not be allowed.
9. All wye connections and bands shall be manufactured fittings.
10. Contractor is responsible for locating all utilities and coordinating with utility companies prior to construction.



STORM SEWER PLAN
SCALE: 1"=20'



ASBUILT
DATE: 9/14/00

RLG
RAYMOND L. GOODSON, JR., INC.
CONSULTING ENGINEERS
SUITE 300, 5445 LA SIERRA DRIVE
DALLAS, TEXAS 75231 214/739-8100
REG. # 98339