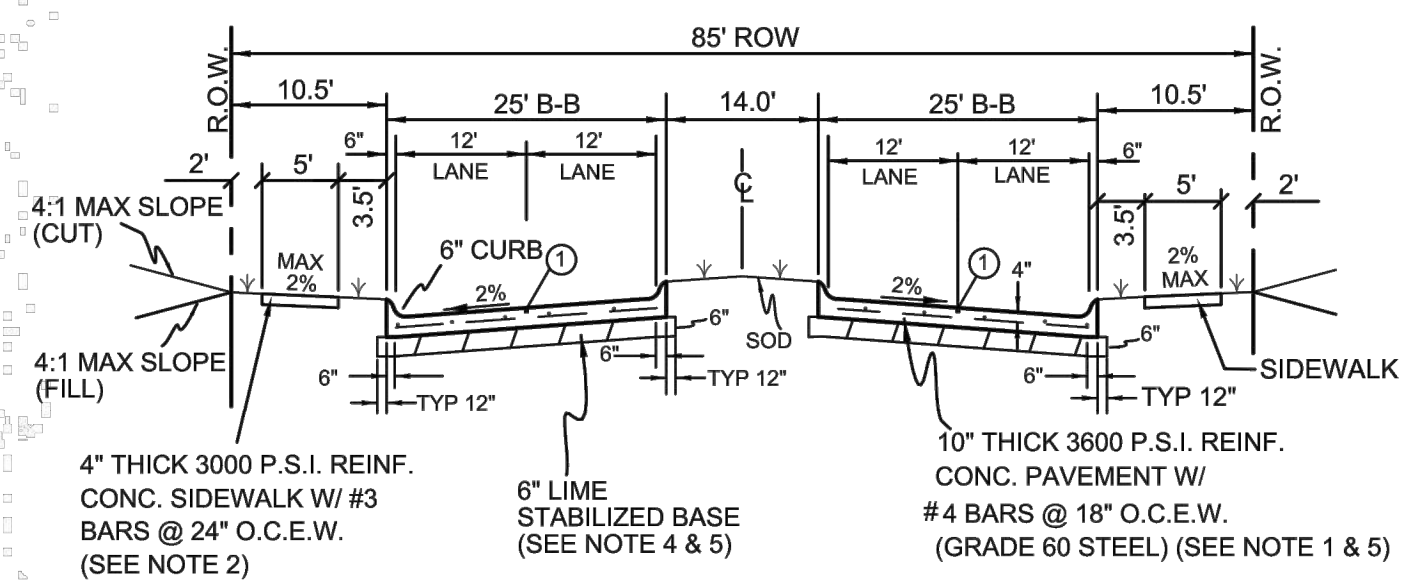
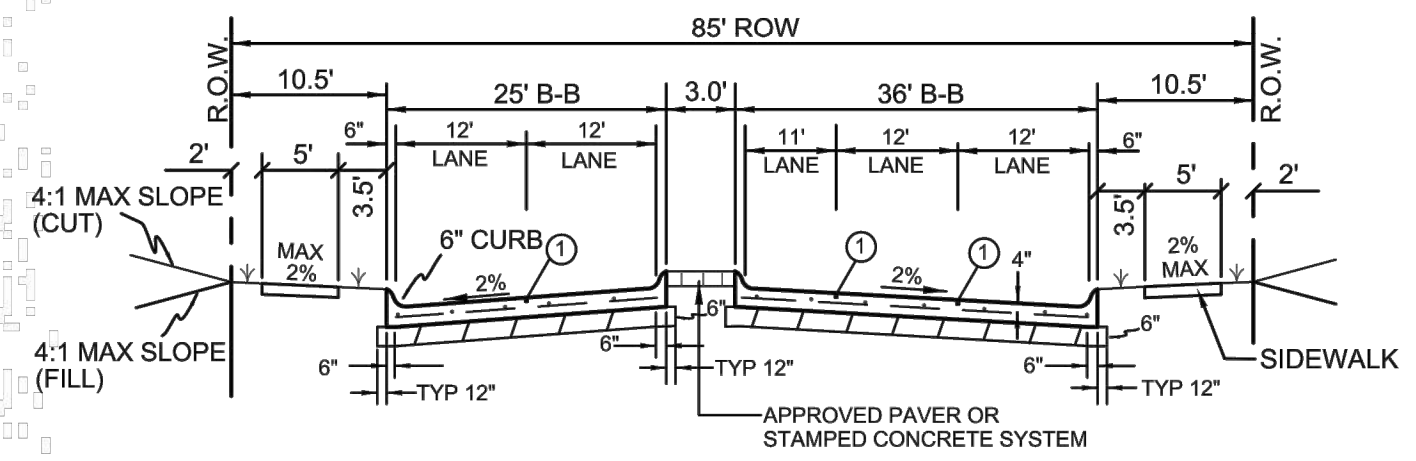


GENERAL NOTES:

1. REINFORCED CONCRETE PAVEMENT:
 - A. ALL CURBS SHALL BE PLACED INTEGRAL WITH PAVEMENT UNLESS OTHERWISE APPROVED BY THE OWNER.
 - B. CURBS SHALL MEET THE SAME COMPRESSIVE STRENGTH AS SPECIFIED FOR THE PAVEMENT.
 - C. BAR LAPS SHALL BE 30 DIAMETERS.
 - D. REINFORCING BARS SHALL BE SUPPORTED BY CHAIRS OR OTHER DEVICES APPROVED BY THE OWNER.
2. SUBGRADE: (UNLESS OTHERWISE SPECIFIED BY OWNER)
 - A. SUBGRADE UNDER ALL PAVEMENTS SHALL BE STABILIZED TO A MINIMUM DEPTH OF SIX (6") INCHES WITH HYDRATED LIME CEMENT. LABORATORY TESTS WILL BE PERFORMED TO DETERMINE THE AMOUNT OF LIME OR CEMENT TO USE.



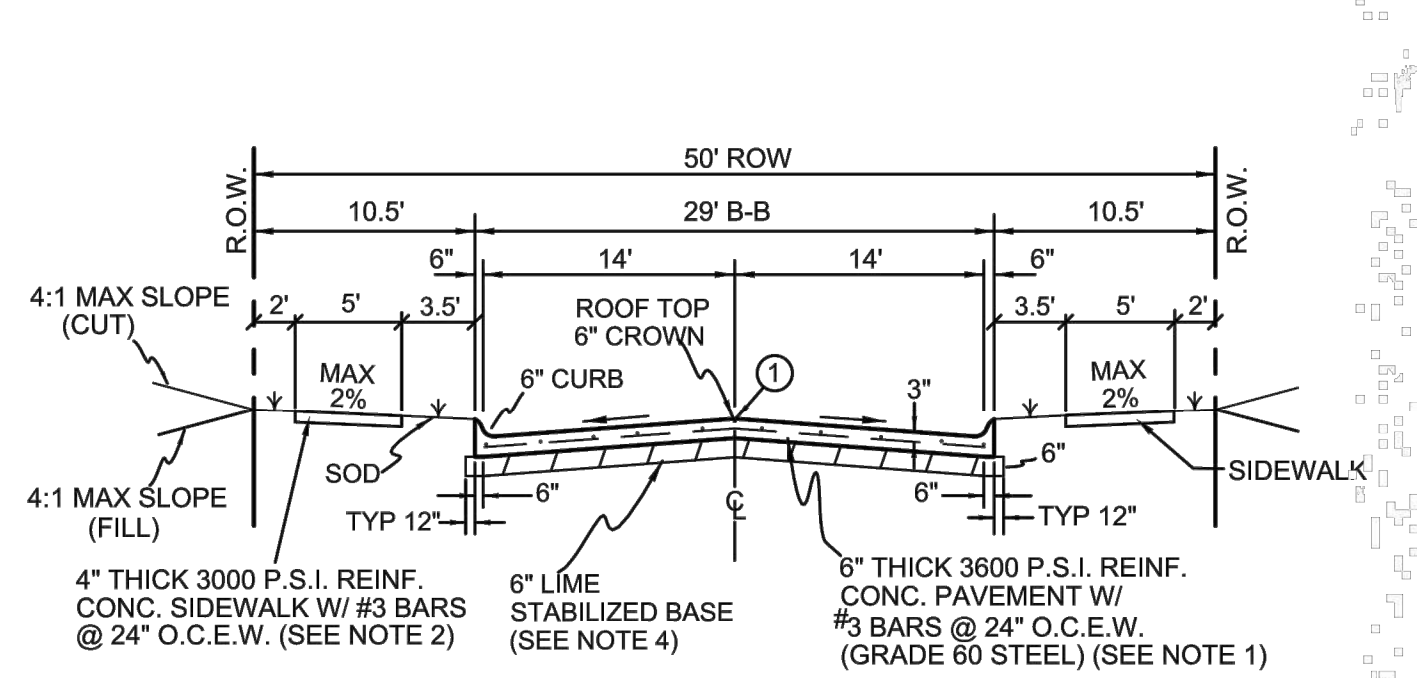
85' ROW - Minor 4 Lane Divided Arterial Regular Section (Not to Scale)



Left Turn Section (Not to Scale)

- NOTES:**
1. Street pavement cement content to be no less than 6 sacks per cubic yard for machine placed and not less than 6.5 sacks per cubic yard for hand placed.
 2. Sidewalk Cement content of not less than 5.5 sack per cubic yard.
 3. No sand allowed under pavement or sidewalks.
 4. Minimum lime content shall be 6% of dry weight of material (at least 27 lbs/SY) compacted to 95% standard density.
 5. Paving Section design shall be based off the 30 year projected traffic volumes and geotechnical analysis/report.

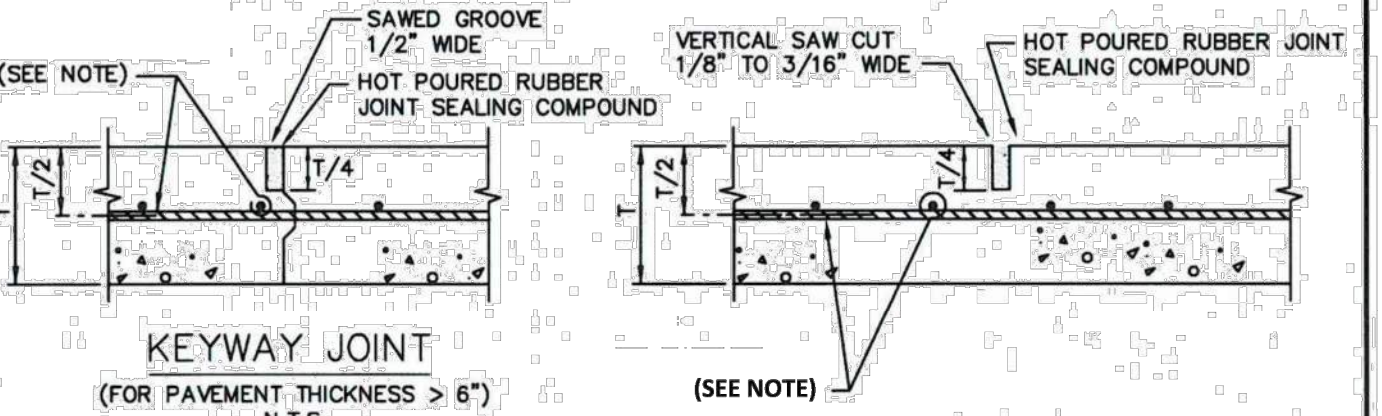
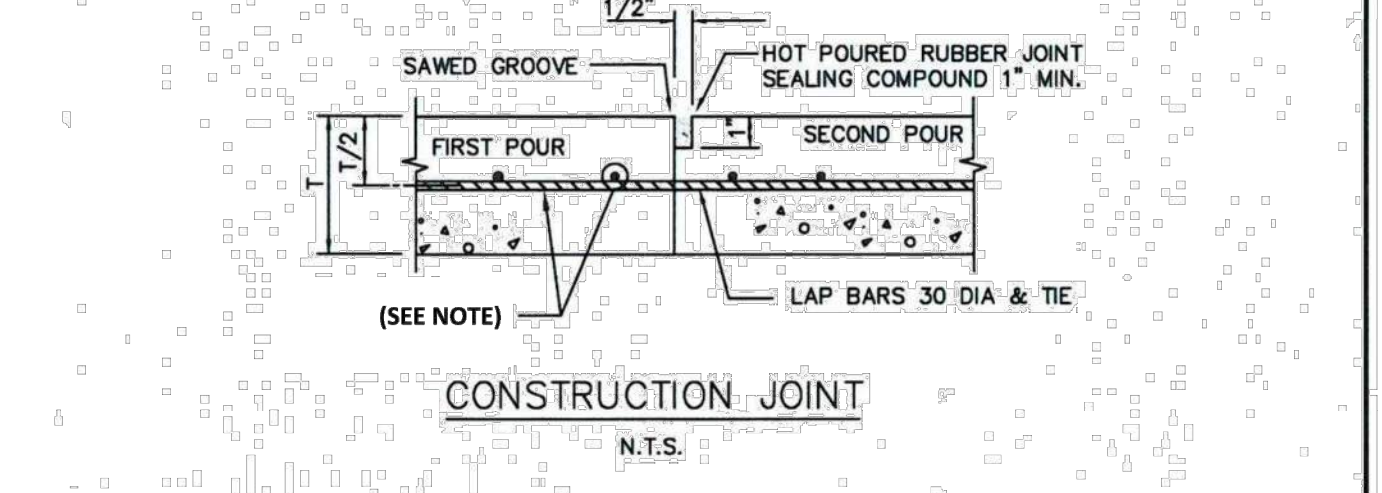
REINFORCED CONCRETE PAVEMENT	CITY OF ROCKWALL	STANDARD SPECIFICATION REFERENCE: 302.303
(M4D) MINOR ARTERIAL DIVIDED 4-LANE		DATE: Mar. 2018 STANDARD DRAWING NO. R-2190



50' R.O.W Residential Street (Not to Scale)

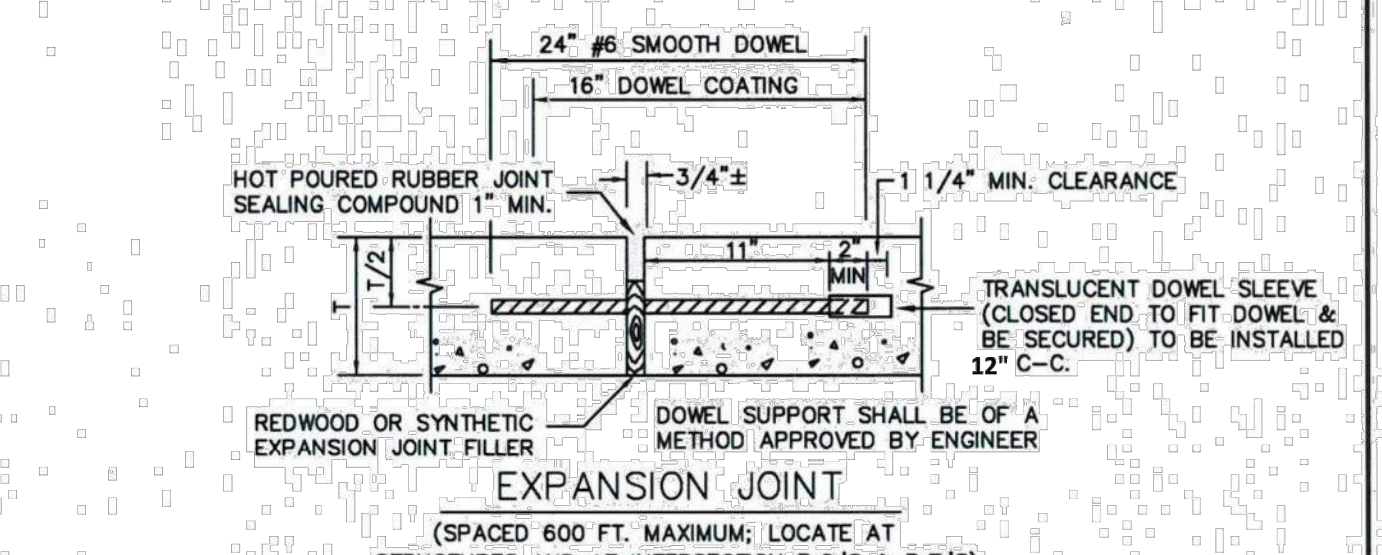
- NOTES:**
1. Street pavement cement content to be no less than 6 sacks per cubic yard for machine placed and not less than 6.5 sacks per cubic yard for hand placed.
 2. Sidewalk Cement content of not less than 5.5 sack per cubic yard.
 3. No sand allowed under pavement or sidewalks.
 4. Minimum lime content shall be 6% of dry weight of material (at least 27 lbs/SY) compacted to 95% standard density.

REINFORCED CONCRETE PAVEMENT	CITY OF ROCKWALL	STANDARD SPECIFICATION REFERENCE: 303.5.4
LOCAL RESIDENTIAL STREET		DATE: AUG. '19 DRAWING NO. R-2033



SAWED CONTRACTION JOINT

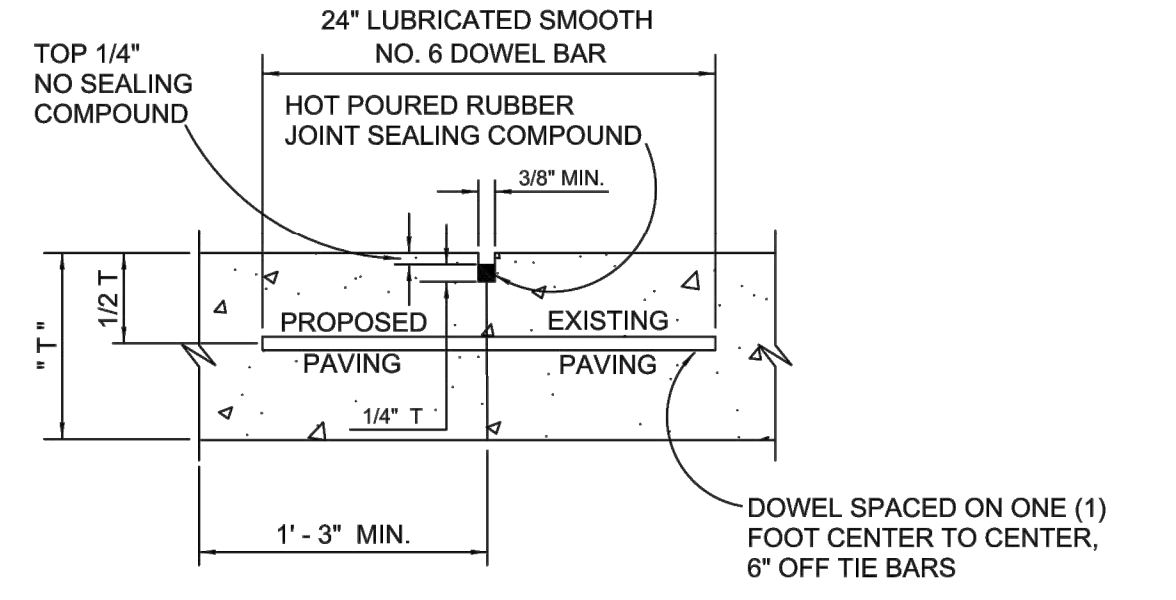
NOTE: REINFORCING SHALL BE - #3 BARS AT 24" FOR 6" THICK PAVEMENT AND LESS, #4 BARS AT 18" FOR 8" THICK PAVEMENT AND GREATER.



EXPANSION JOINT (SPACED 800 FT. MAXIMUM; LOCATE AT STRUCTURES AND AT INTERSECTION P.C.'S & P.T.'S)

REINFORCED CONCRETE PAVEMENT	CITY OF ROCKWALL	STANDARD SPECIFICATION REFERENCE: 303.5.4
JOINTS		DATE: Mar. 2018 STANDARD DRAWING NO. R-2050

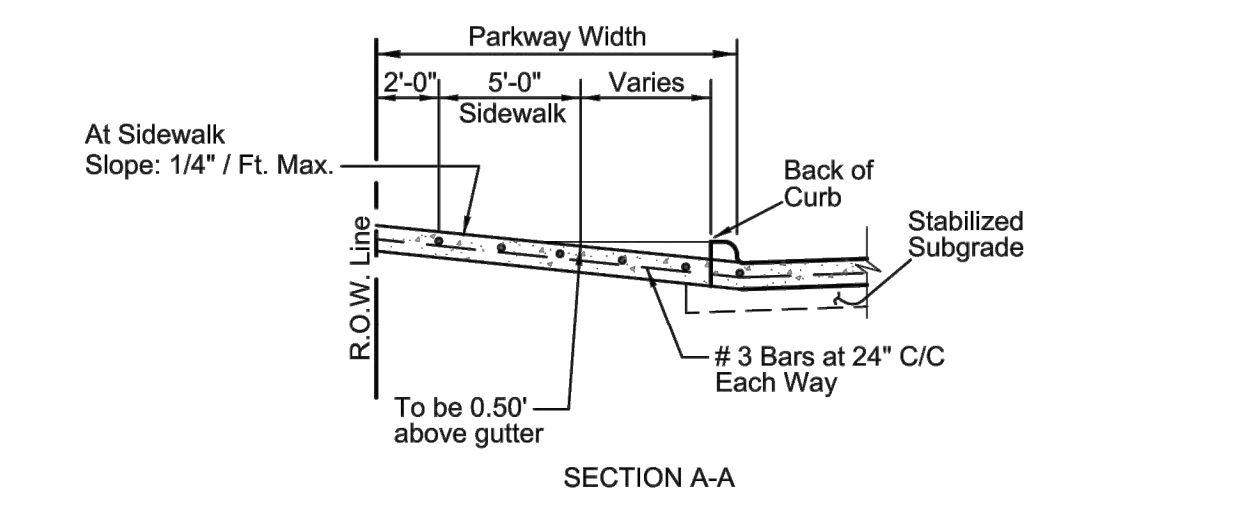
PAVEMENT SYSTEMS	CITY OF ROCKWALL	STANDARD SPECIFICATION REFERENCE: 302.303
GENERAL NOTES		DATE: Mar. 2018 STANDARD DRAWING NO. R-2190



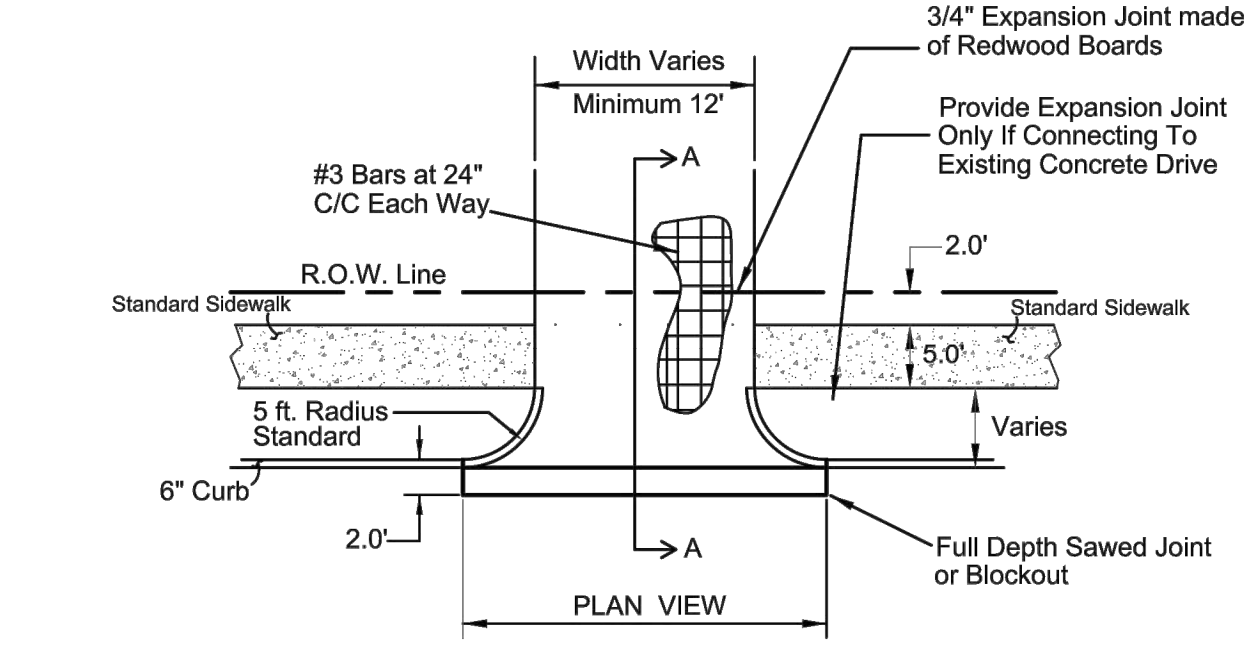
- NOTES:** T = PAVEMENT
1. LONGITUDINAL BUTT CONSTRUCTION MAY BE UTILIZED IN PLACE OF LONGITUDINAL HINGED (KEYWAY) JOINT AT CONTRACTORS OPTION.
 2. DOWEL BARS SHALL BE DRILLED INTO PAVEMENT HORIZONTALLY BY USE OF A MECHANICAL RIG.
 3. DRILLING BY HAND IS NOT ACCEPTABLE. PUSHING DOWEL BARS INTO GREEN CONCRETE NOT ACCEPTABLE.

LONGITUDINAL BUTT JOINT NOT TO SCALE

REINFORCED CONCRETE PAVEMENT	CITY OF ROCKWALL	STANDARD SPECIFICATION REFERENCE: 303.5.4
LONGITUDINAL BUTT JOINT		DATE: OCT. '17 DRAWING NO. R-2051

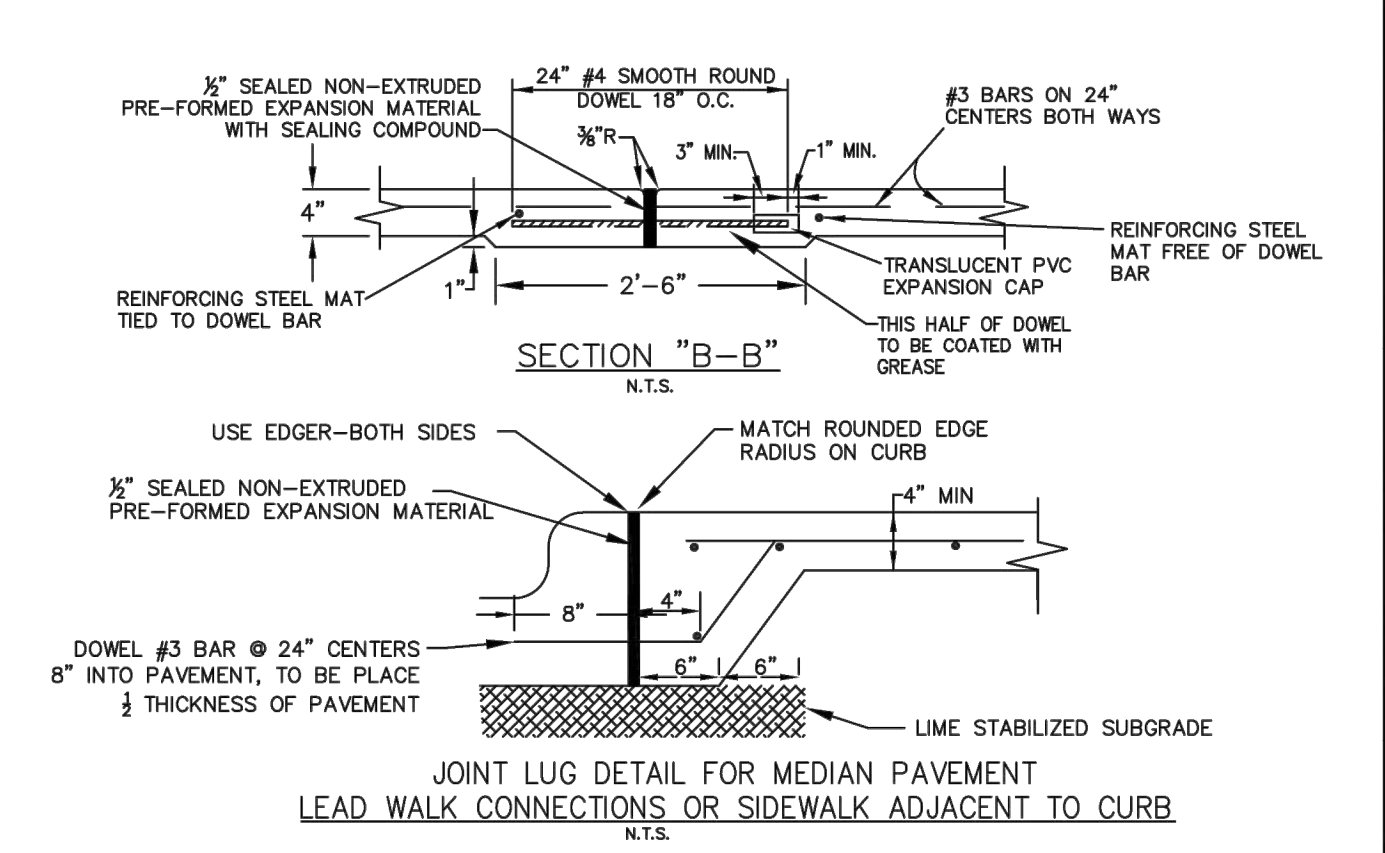
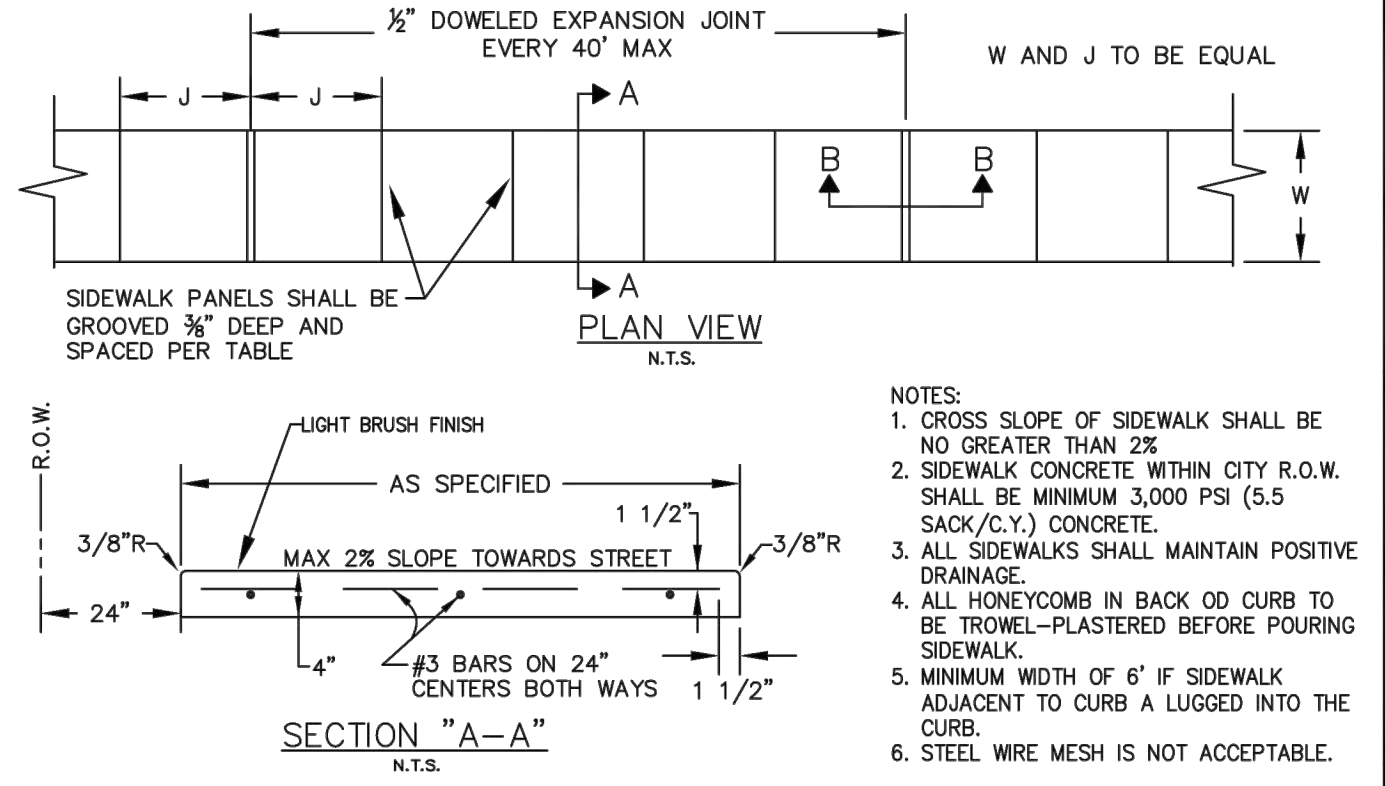


NOTE: Sidewalk section thru driveway to be poured same thickness as driveway - 6" Thick 3,600 P.S.I. Reinf. Conc. Pvmnt. w/ #3 Bars @ 24" O.C.E.W. (Grade 60 Steel)



DRIVEWAY DETAILS (Not to Scale)

DRIVEWAY DETAIL	CITY OF ROCKWALL	STANDARD SPECIFICATION REFERENCE: 303.5.4
RESIDENTIAL DRIVEWAY		DATE: AUG '19 DRAWING NO. R-2150



REINFORCED CONCRETE SIDEWALKS	CITY OF ROCKWALL	STANDARD SPECIFICATION REFERENCE: 303.5.4
JOINTS AND SPACING		DATE: AUG '19 DRAWING NO. R-2170

RECORD DRAWING
 THESE RECORD DRAWINGS ARE BASED ON AS-BUILT DOCUMENTS PROVIDED BY THE CONTRACTOR OR DEVELOPER. FIELD INSPECTION OF CONSTRUCTION, IF REQUIRED FOR COMPLIANCE WITH CERTAIN REGULATORY STANDARDS, WAS NOT PERFORMED BY THE DESIGN ENGINEER. IT IS NOT GUARANTEED THAT THIS DOCUMENT REPRESENTS 'AS-BUILT' CONDITIONS.
 03/22/2022

GIDEON GROVE - PHASE 2
 CITY OF ROCKWALL, ROCKWALL COUNTY, TEXAS
 PAVING DETAILS

PLAT NO.	#
JOB NO.	6126300
DATE	June 21
DESIGNER	
CHECKED	DRAWN
SHEET	30



PAPE-PAWSON ENGINEERS
 PORT WORTH | SAN ANTONIO | AUSTIN | HOUSTON | DALLAS
 6500 W. HWY. STE. 700 | FT. WORTH, TX 76102 | 817.870.8668
 TEXAS BOARD OF PROFESSIONAL ENGINEERS, FIRM REGISTRATION #470

Plot: Jun 09, 2021, 8:56am User: P:\Engineering\Projects\2021\06\20210609\2.0_Rockwall\2.4.3_Plan_Sheets\VI-2126300.dwg

THIS DOCUMENT HAS BEEN PRODUCED FROM MATERIAL THAT WAS STORED AND/OR TRANSMITTED ELECTRONICALLY AND MAY HAVE BEEN INADVERTENTLY ALTERED. RELY ONLY ON FINAL HARDCOPY MATERIALS BEARING THE CONSULTANT'S ORIGINAL SIGNATURE AND SEAL. AERIAL IMAGERY PROVIDED BY GOOGLE/UNLESS OTHERWISE NOTED. Imagery © 2016, CAROL Digital Globe, Texas Orthographic Program, USDA Farm Service Agency.