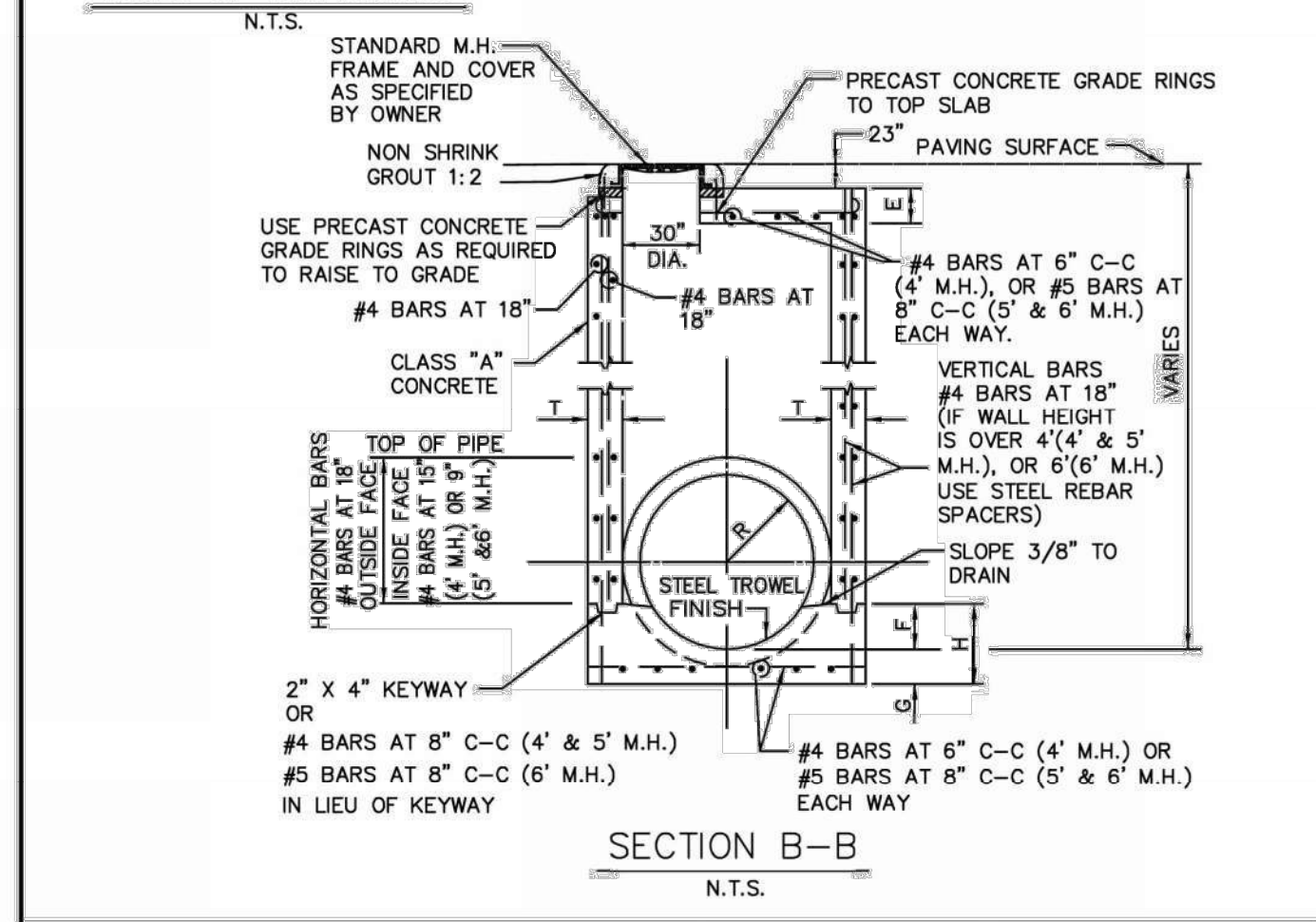
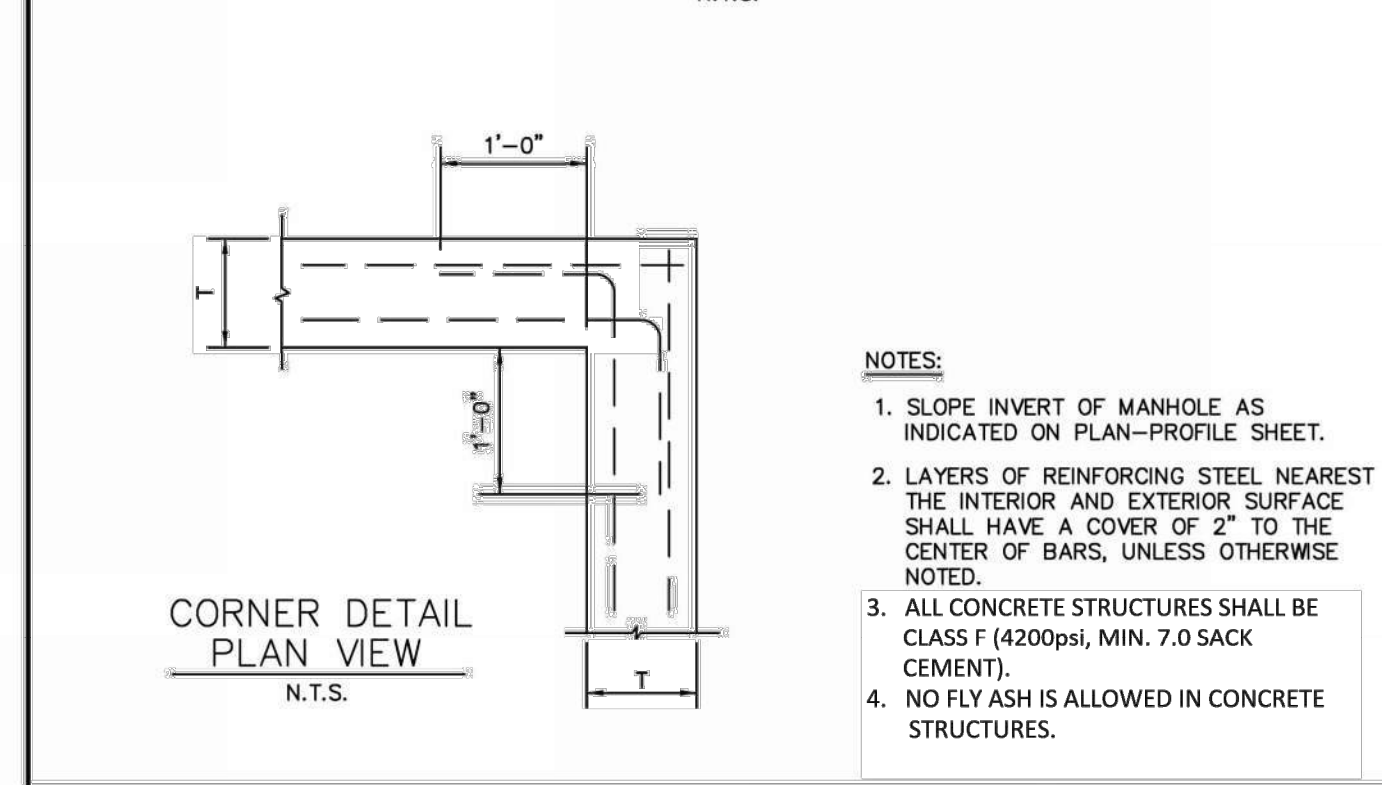
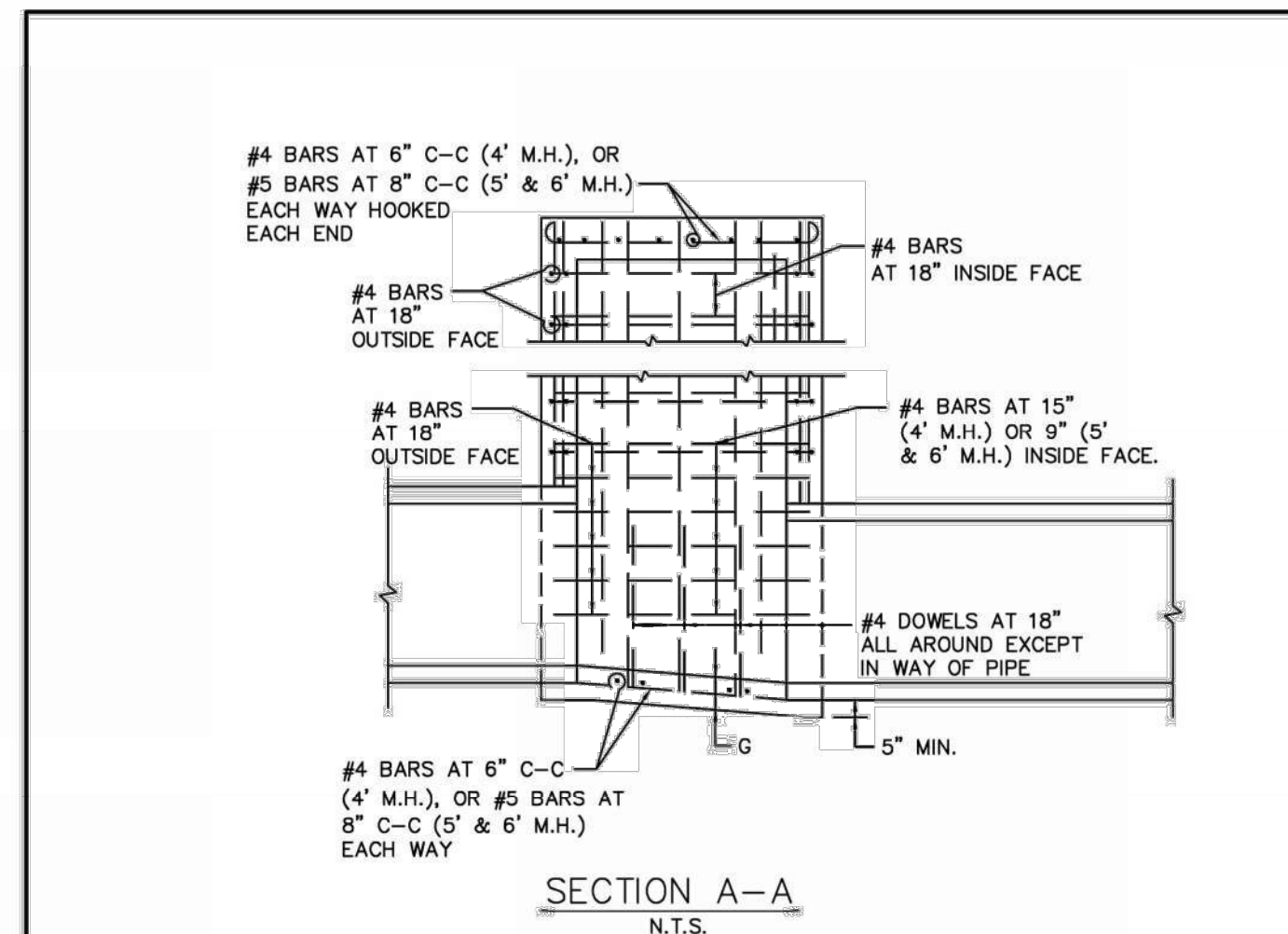


| M.H. SIZE (W) | V | T | E | F | G | H |
|---------------|-------|----|----|-----|-----|-------|
| 4' | 5'-4" | 8" | 6" | 9" | 6" | 1'-3" |
| 5' | 6'-4" | 8" | 6" | 12" | 8" | 1'-8" |
| 6' | 7'-6" | 9" | 9" | 16" | 10" | 2'-2" |



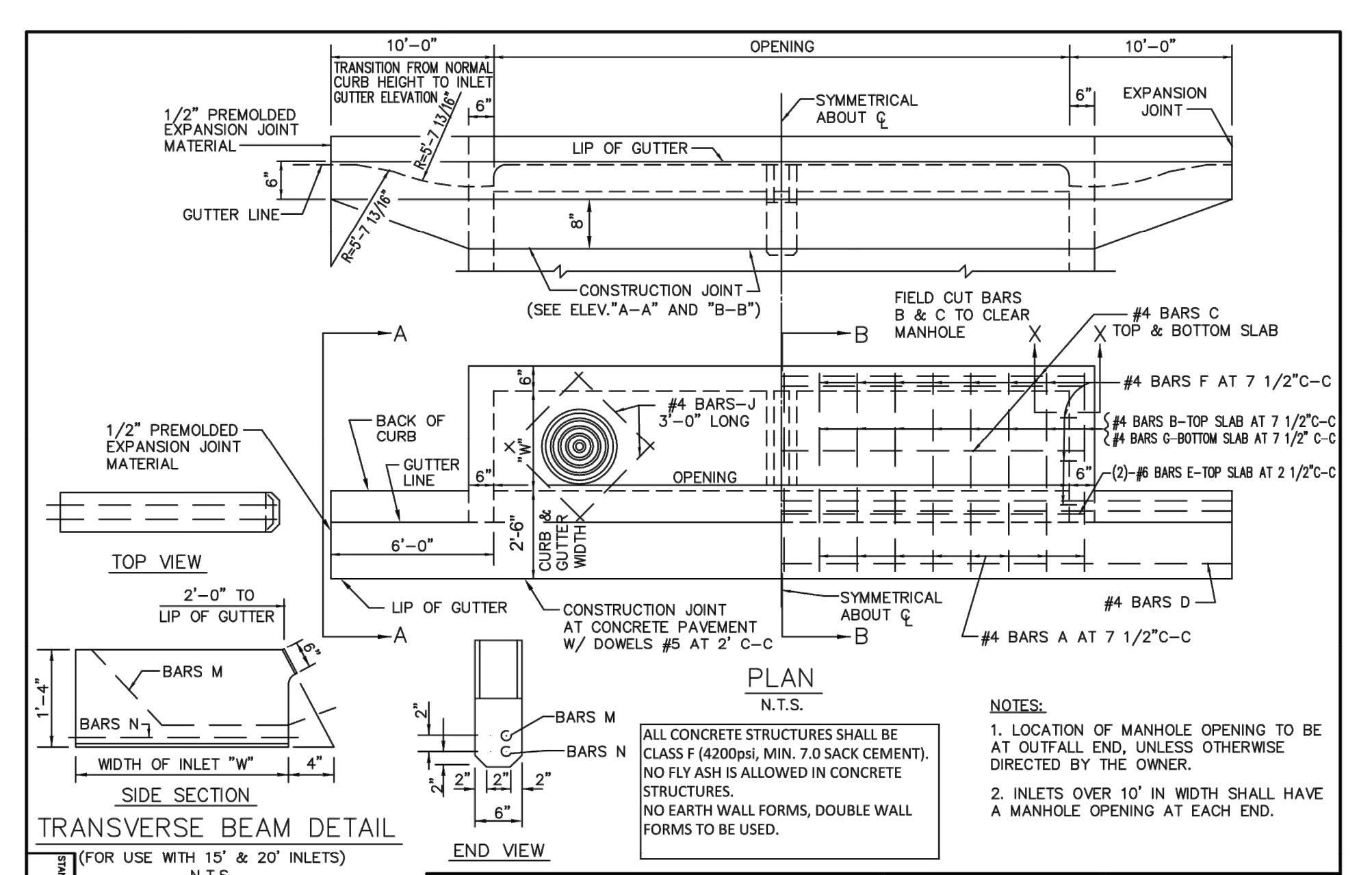
| | | |
|----------------------|------------------|----------------------------------|
| STORM WATER MANHOLE | CITY OF ROCKWALL | STANDARD SPECIFICATION REFERENCE |
| 4', 5', OR 6' SQUARE | | 502.14.1* |
| | | DATE: Mar. 2018 |
| | | STANDARD DRAWING NO. R-6010A |

*Section II Standard Drawings as of October 2004. Reference number only has been updated for Fifth Edition Specifications. Public Works Construction Standards North Central Texas, Fifth Edition.



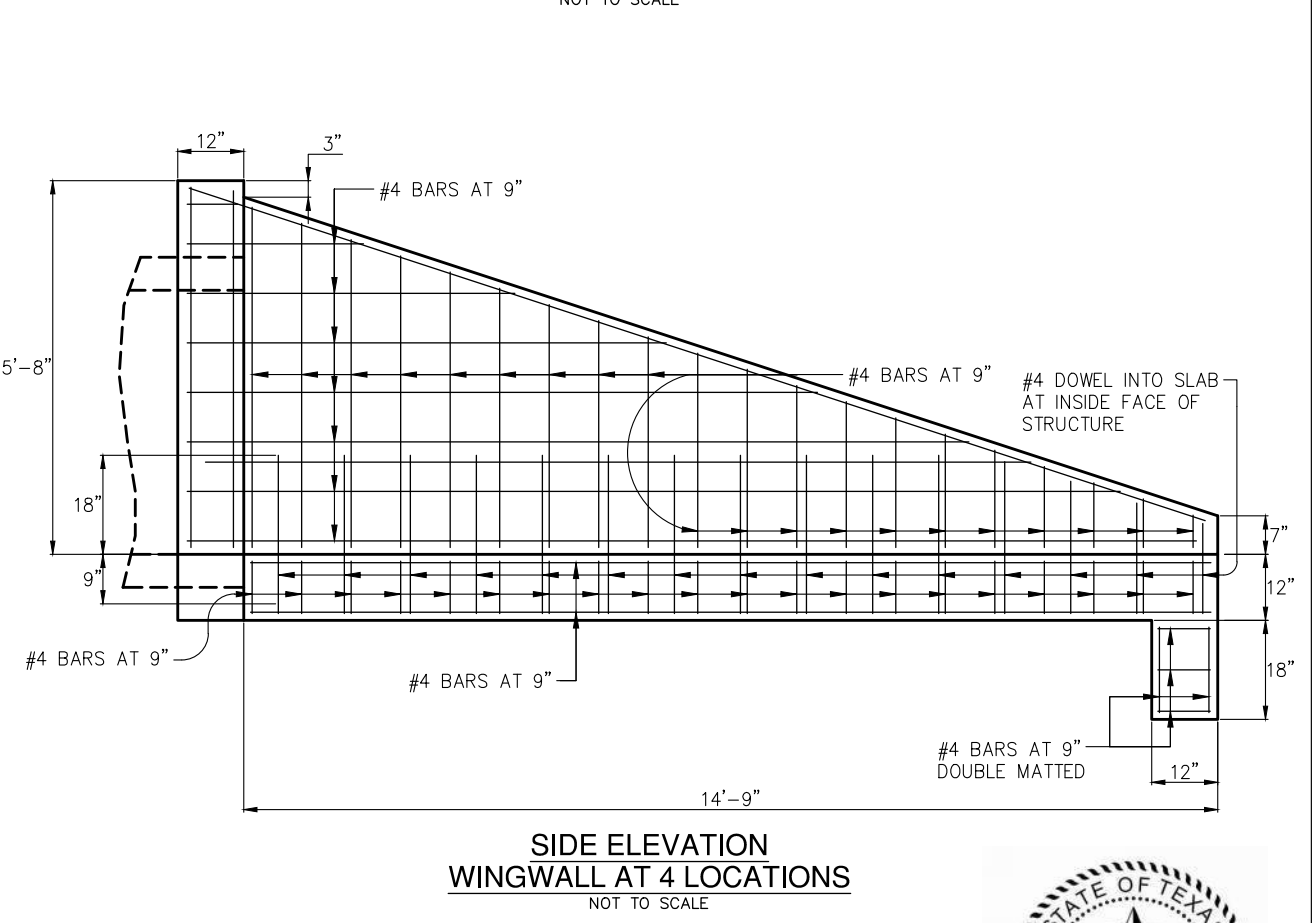
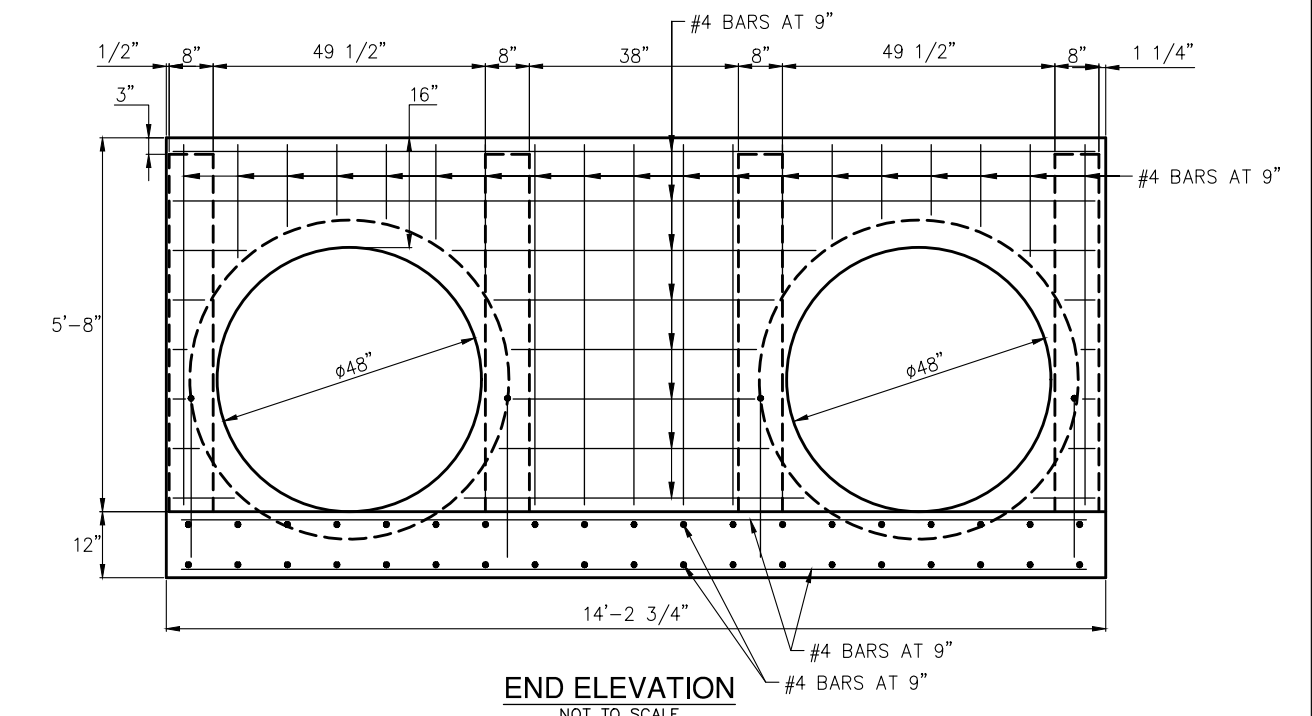
| | | |
|----------------------|------------------|----------------------------------|
| STORM WATER MANHOLE | CITY OF ROCKWALL | STANDARD SPECIFICATION REFERENCE |
| 4', 5', OR 6' SQUARE | | 502.14.1* |
| | | DATE: Mar. 2018 |
| | | STANDARD DRAWING NO. R-6010B |

*Section II Standard Drawings as of October 2004. Reference number only has been updated for Fifth Edition Specifications. Public Works Construction Standards North Central Texas, Fifth Edition.



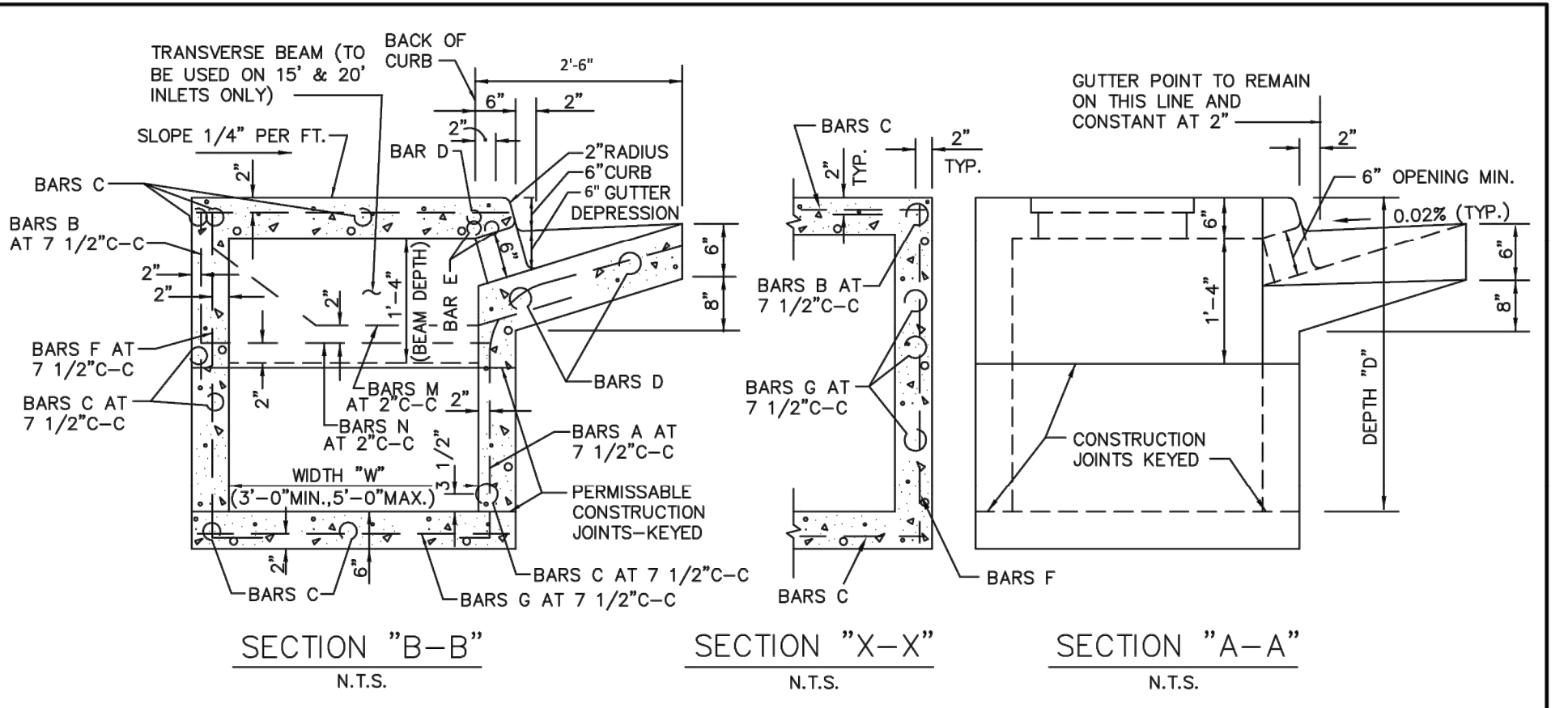
| | | |
|-----------------------------|------------------|----------------------------------|
| CURB INLET | CITY OF ROCKWALL | STANDARD SPECIFICATION REFERENCE |
| 5', 10', 15' OR 20' OPENING | | 702 |
| | | DATE: AUG. 2019 |
| | | STANDARD DRAWING NO. R-6020A |

NOTES:
1. LOCATION OF MANHOLE OPENING TO BE AT OUTFALL END, UNLESS OTHERWISE DIRECTED BY THE OWNER.
2. INLETS OVER 10' IN WIDTH SHALL HAVE A MANHOLE OPENING AT EACH END.



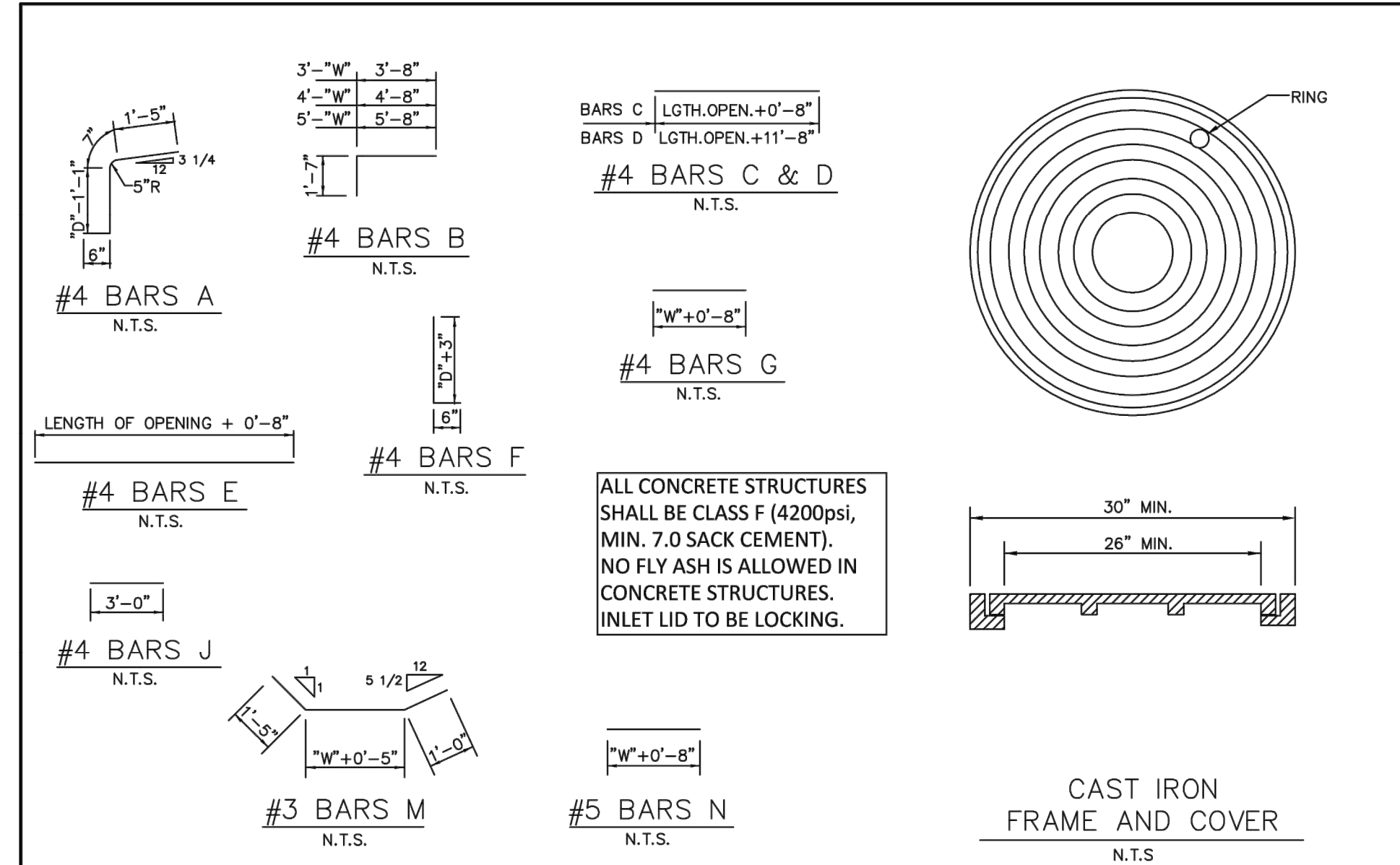
NOTES:
1. THIS DETAIL IS BASED ON THE TYPICAL HEADWALL DETAIL AND NOTES FOR FW-5 EXCEPT WHERE SPECIFICALLY NOTED OTHERWISE ABOVE.
2. DETAIL DIMENSIONS AND THE REINFORCEMENT INFORMATION WAS PROVIDED IN CONFIRMATION OF AS-BUILT, CAST-IN-PLACE CONDITION BY CONTRACTOR.

| | | |
|-----------------------------------|------------------|----------------------------------|
| GIDEON GROVE - PHASE 2 | CITY OF ROCKWALL | STANDARD SPECIFICATION REFERENCE |
| CITY OF ROCKWALL, ROCKWALL, TEXAS | | 702 |
| | | DATE: Mar. 2018 |
| | | STANDARD DRAWING NO. R-6020C |



GENERAL NOTES:
1. ALL CONCRETE SHALL BE CLASS "A" CONCRETE.
2. REINFORCING BARS SHALL BE STANDARD GRADE STEEL, DEFORMED REINFORCING BARS OF A DIAMETER AND LENGTH AS SHOWN.
3. CHAMFER ALL EXPOSED CORNERS 3/4" EXCEPT WHERE OTHERWISE NOTED.
4. DIMENSIONS RELATING TO REINFORCING STEEL ARE TO CENTERS OF BARS.
5. FIELD CUT AND BEND BARS AS NECESSARY TO ACCOMMODATE STORM SEWER PIPE.
6. RING AND COVER SHALL BE APPROVED BY THE OWNER AND INSTALLED BY THE CONTRACTOR.

| | | |
|------------------------------|------------------|----------------------------------|
| CURB INLET | CITY OF ROCKWALL | STANDARD SPECIFICATION REFERENCE |
| CROSS SECTION & INLET THROAT | | 702 |
| | | DATE: AUG. 2019 |
| | | STANDARD DRAWING NO. R-6020B |

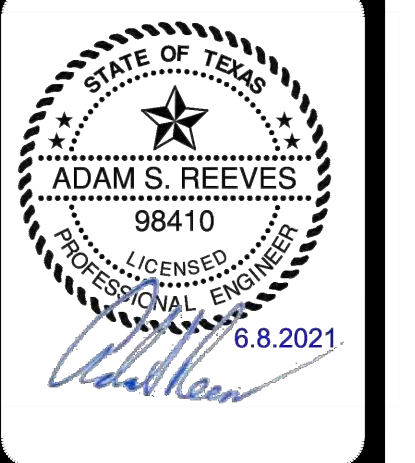


| | | |
|----------------------------|------------------|----------------------------------|
| CURB INLET | CITY OF ROCKWALL | STANDARD SPECIFICATION REFERENCE |
| REBAR & M.H. FRAME & COVER | | 702 |
| | | DATE: Mar. 2018 |
| | | STANDARD DRAWING NO. R-6020C |

THIS DOCUMENT HAS BEEN PRODUCED FROM MATERIAL THAT WAS STORED AND/OR TRANSMITTED ELECTRONICALLY AND MAY HAVE BEEN INADVERTENTLY ALTERED. RELY ONLY ON FINAL HARDCOPY MATERIALS BEARING THE CONSULTANTS ORIGINAL SIGNATURE AND SEAL. AERIAL IMAGERY PROVIDED BY GOOGLE/UNLESS OTHERWISE NOTED. Imagery © 2016, CAPOCO, Digital Globe, Texas Orthographic Program, USDA Farm Service Agency.

RECORD DRAWING
THESE RECORD DRAWINGS ARE BASED ON AS-BUILT DOCUMENTS PROVIDED BY THE CONTRACTOR OR DEVELOPER. FIELD INSPECTION OF CONSTRUCTION, IF REQUIRED FOR COMPLIANCE WITH CERTAIN REGULATORY STANDARDS, WAS NOT PERFORMED BY THE DESIGN ENGINEER. IT IS NOT GUARANTEED THAT THIS DOCUMENT REPRESENTS AS-BUILT CONDITIONS.
03/22/2022

| | |
|----------|--|
| DATE | |
| NO. | |
| REVISION | |



PAPE-DAWSON ENGINEERS
FORT WORTH | SAN ANTONIO | AUSTIN | HOUSTON | DALLAS
6500 W HWY. STE 700 | FT. WORTH, TX 76102 | 817.870.8668
TEXAS BOARD OF PROFESSIONAL ENGINEERS, FIRM REGISTRATION #470

GIDEON GROVE - PHASE 2
CITY OF ROCKWALL, ROCKWALL COUNTY, TEXAS
STORM DRAINAGE DETAILS
SHEET 1

| | |
|----------|---------------|
| PLAT NO. | # |
| JOB NO. | 6126300 |
| DATE | June 21 |
| DESIGNER | CoR |
| CHECKED | CoR DRAWN CoR |
| SHEET | 19 |