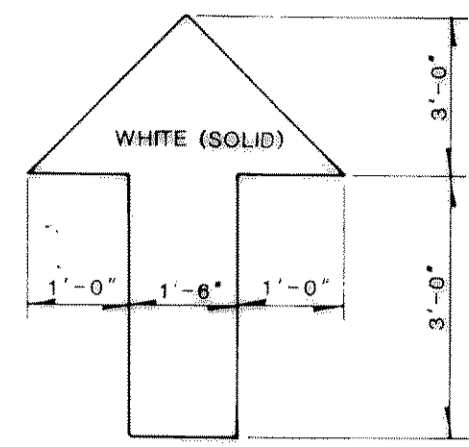


DIRECTIONAL TURN ARROW

PARKING AREAS AND INTERIOR ROADWAYS ONLY INDICATED BY ON DRAWINGS. LEFT TURNS REVERSE HAND

TYPICAL PAINTED DIRECTIONAL ARROW

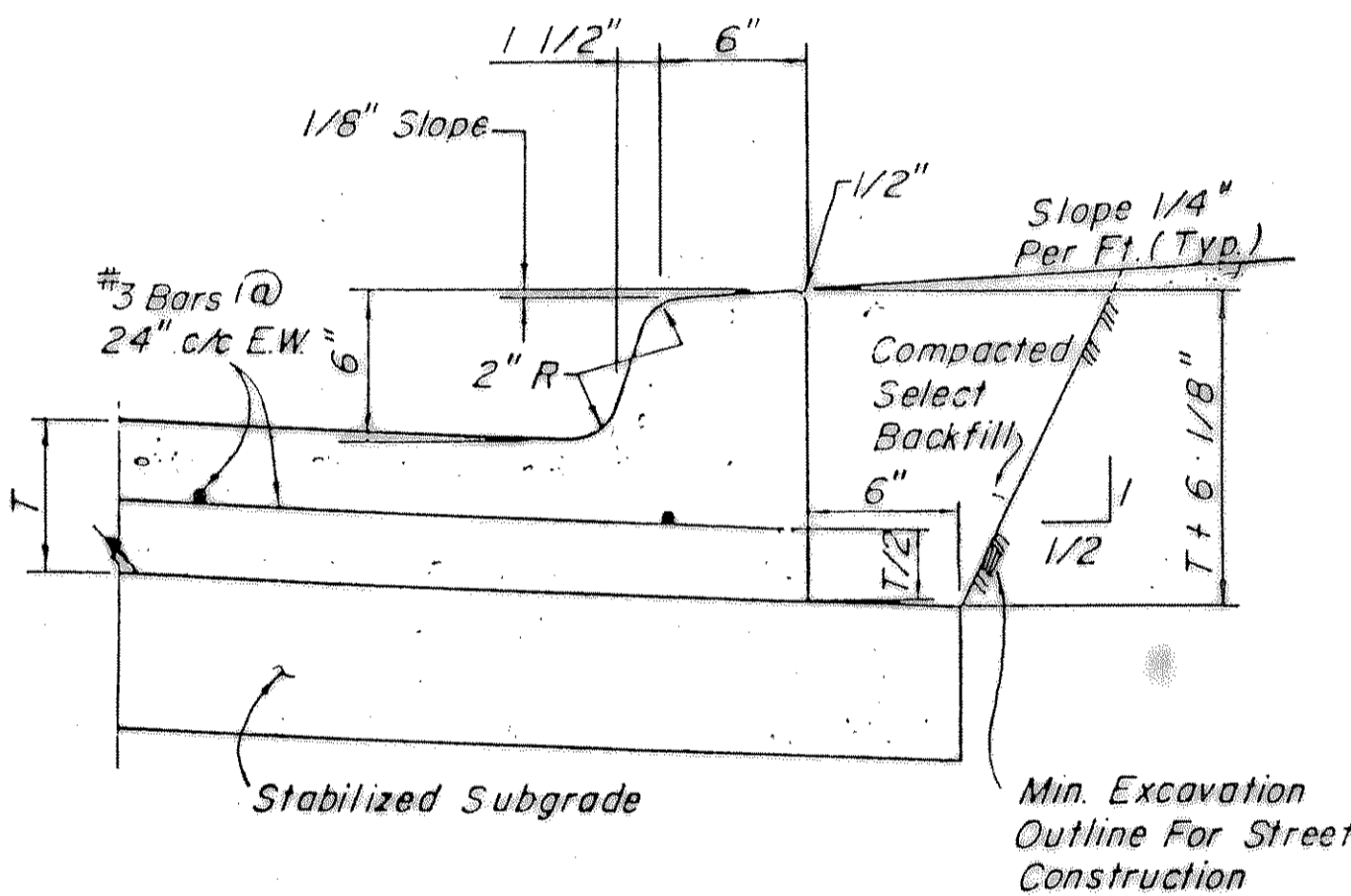


COMBINATION ARROW

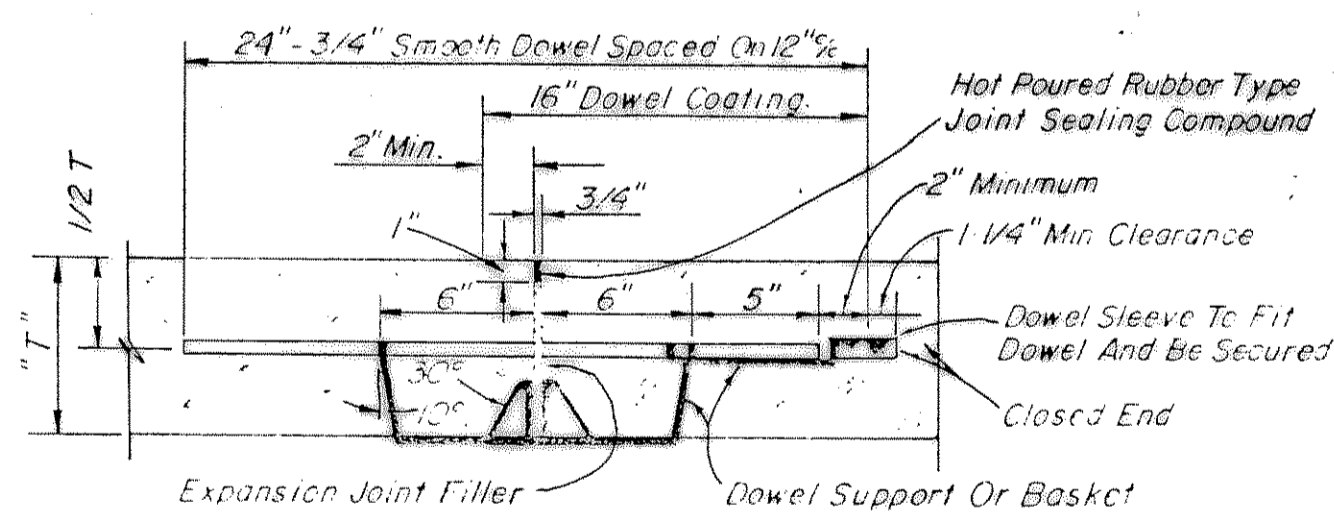
PARKING AREAS AND INTERIOR ROADWAYS ONLY INDICATED BY ON DRAWINGS. LEFT-TURNS REVERSE HAND

DIRECTIONAL ARROWS

N.T.S.

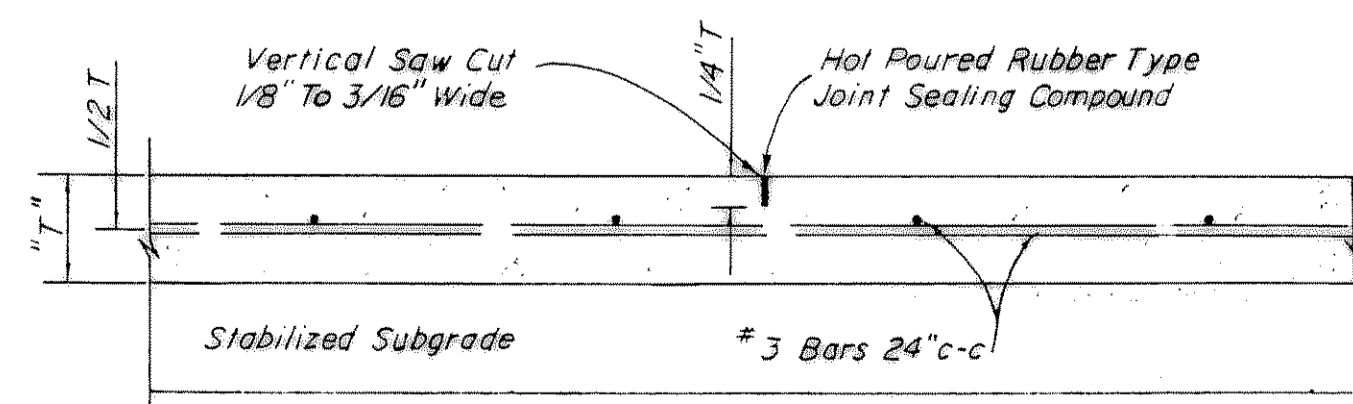


MONOLITHIC CURB



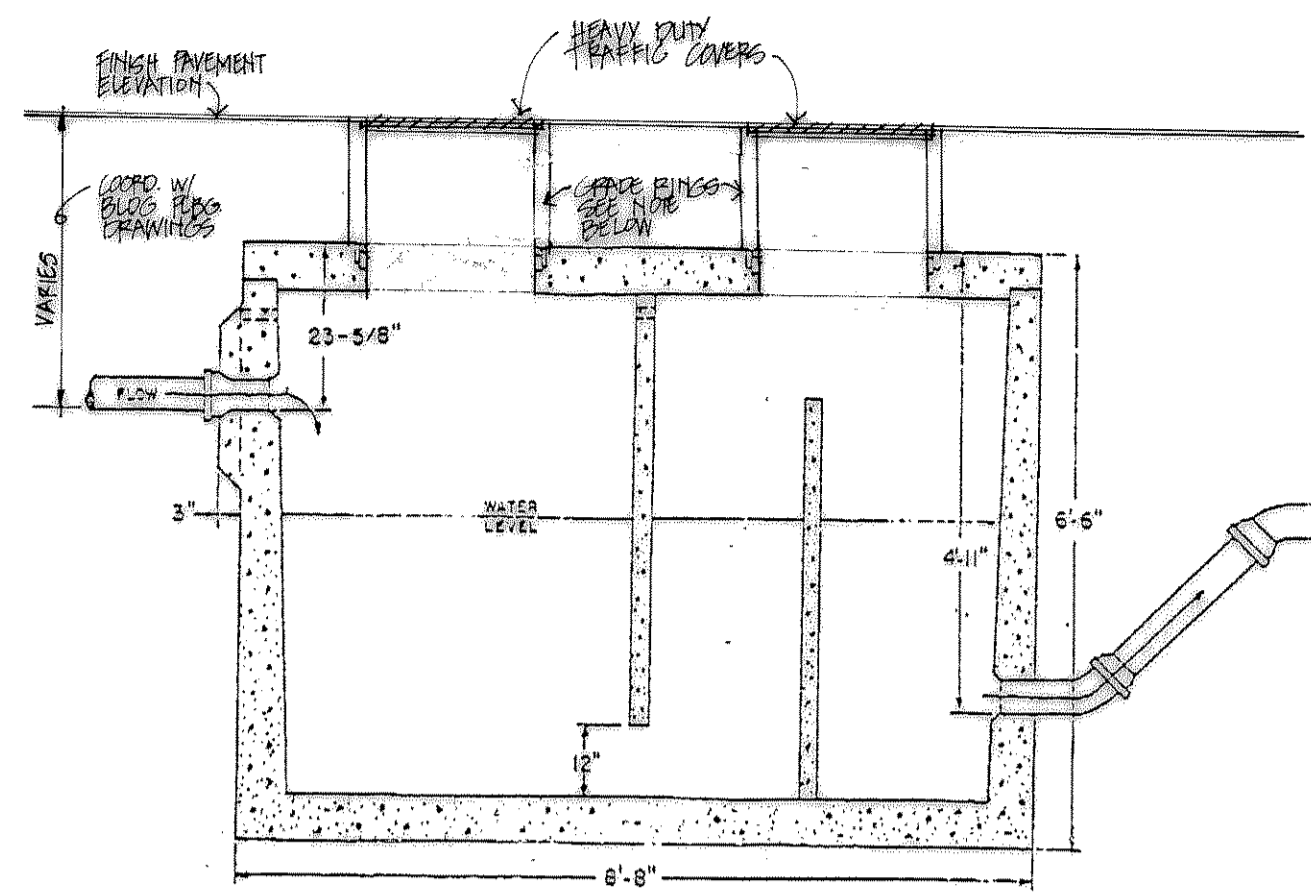
TRANSVERSE EXPANSION JOINT

Not To Scale



SAWED DUMMY JOINT

Not To Scale

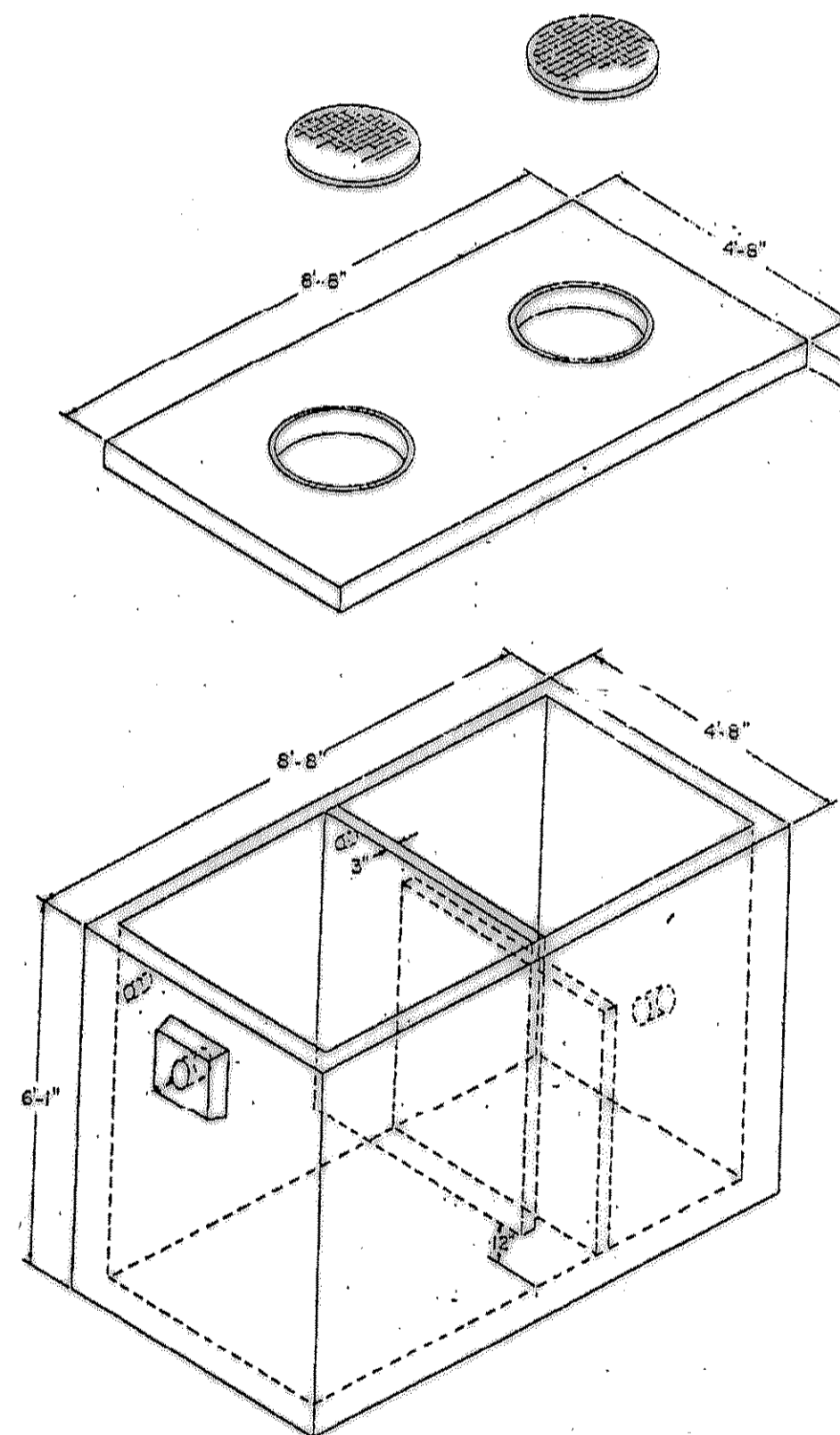


FLUID CAPACITY: 1,000 GALLONS
GREASE RETENTION: 1,060 LBS.

FLOW RATE GPM:	2	5	10	15	20	30	50
DETENTION TIME HR. MIN:	8:20	3:20	1:40	1:07	0:50	0:33	0:20

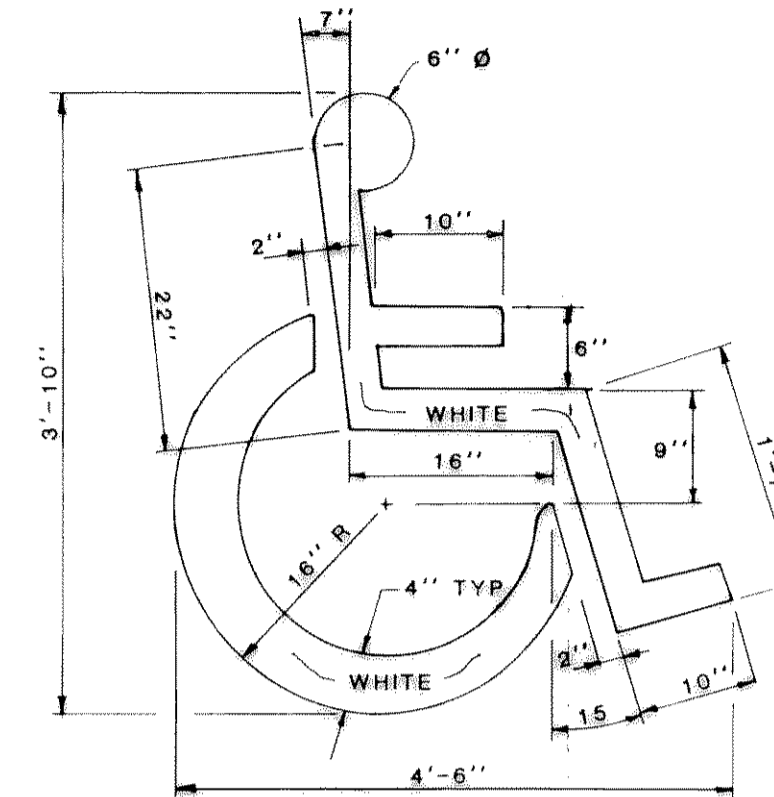
* NOTE: CONCRETE GRADE RINGS AVAILABLE BY SPECIAL ORDER. PROVIDE AS REQUIRED FOR FLUSH INSTALLATION OF COVERS.

BROOKS PRODUCTS INC.
2001 W. MAYFIELD RD.
ARLINGTON, TEXAS 76015
817 / 467-2765



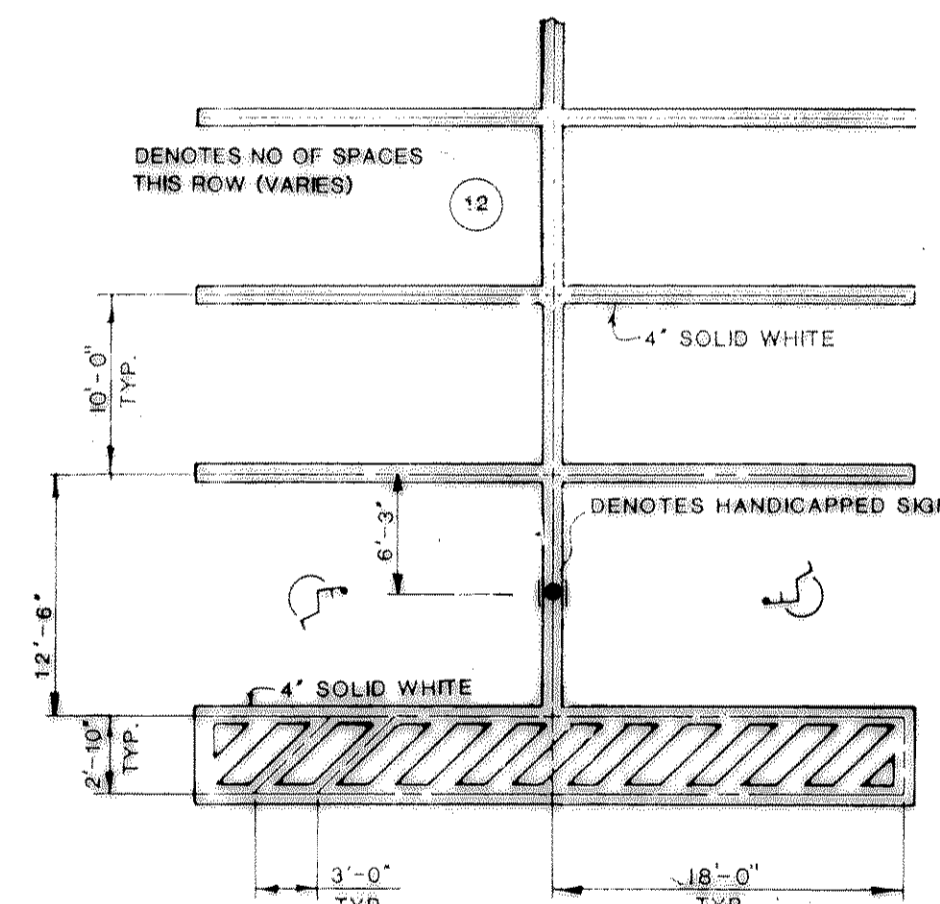
GREASE TRAP

BROOKS BD-1000-200
750# GREASE INTERCEPTOR
BROOKS PRODUCTS, INC.



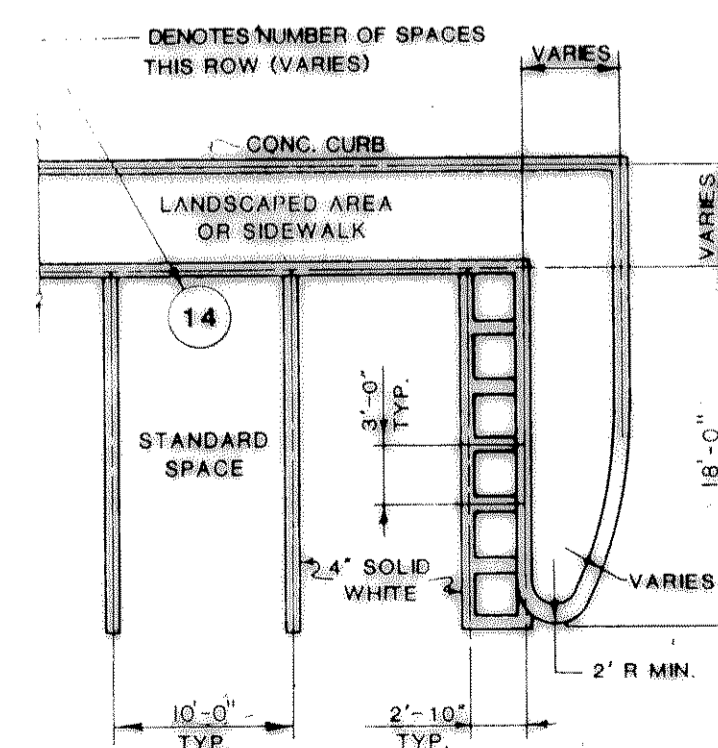
HANDICAPPED PARKING SPACE SYMBOL

SEE SPACES DESIGNATED "H" N.T.S.



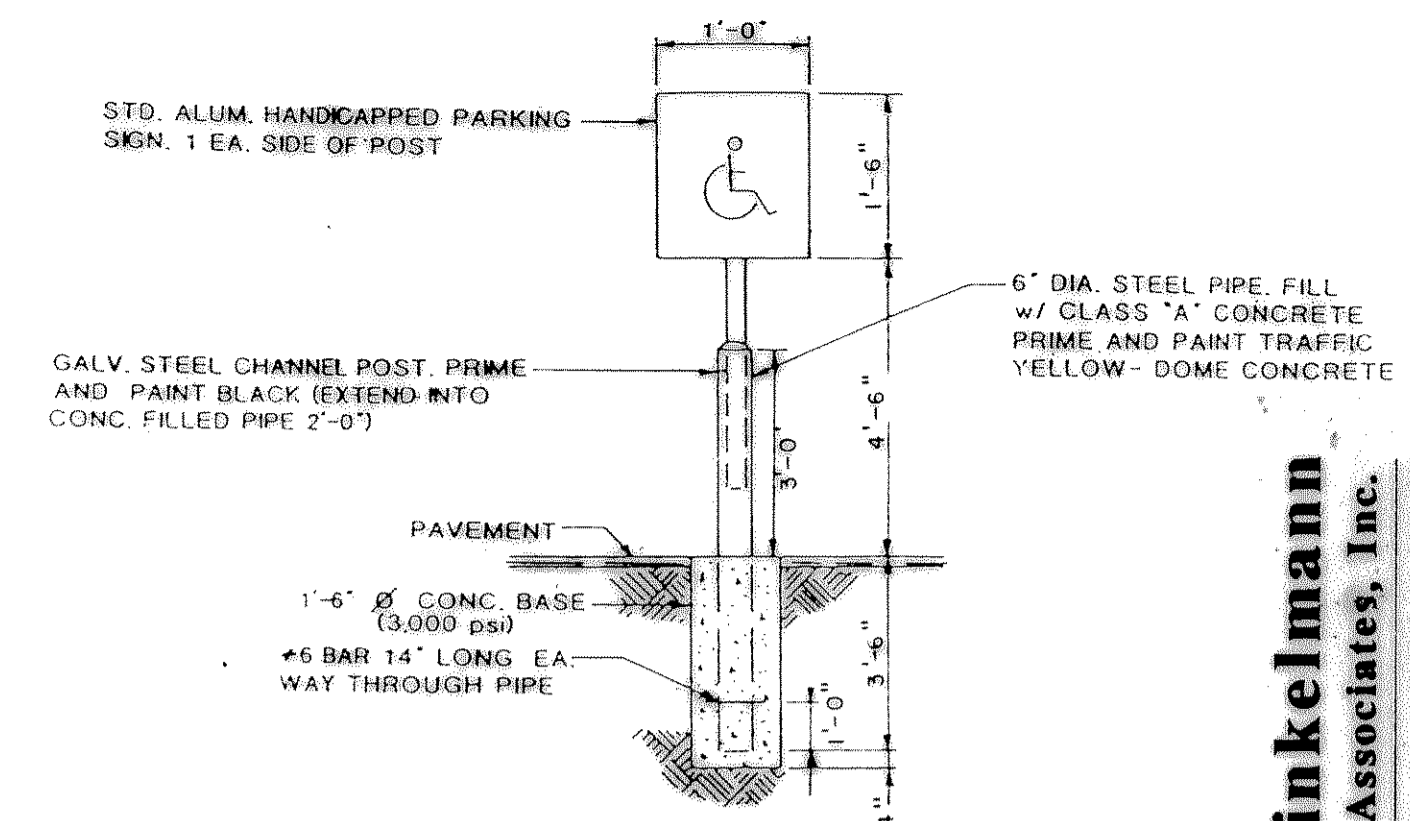
90° PARKING

N.T.S.



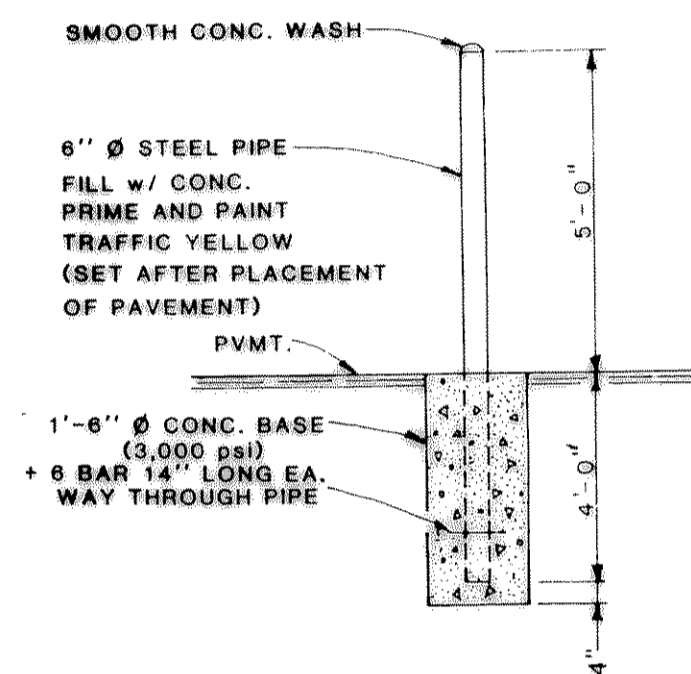
PARKING SPACE DETAIL

N.T.S.



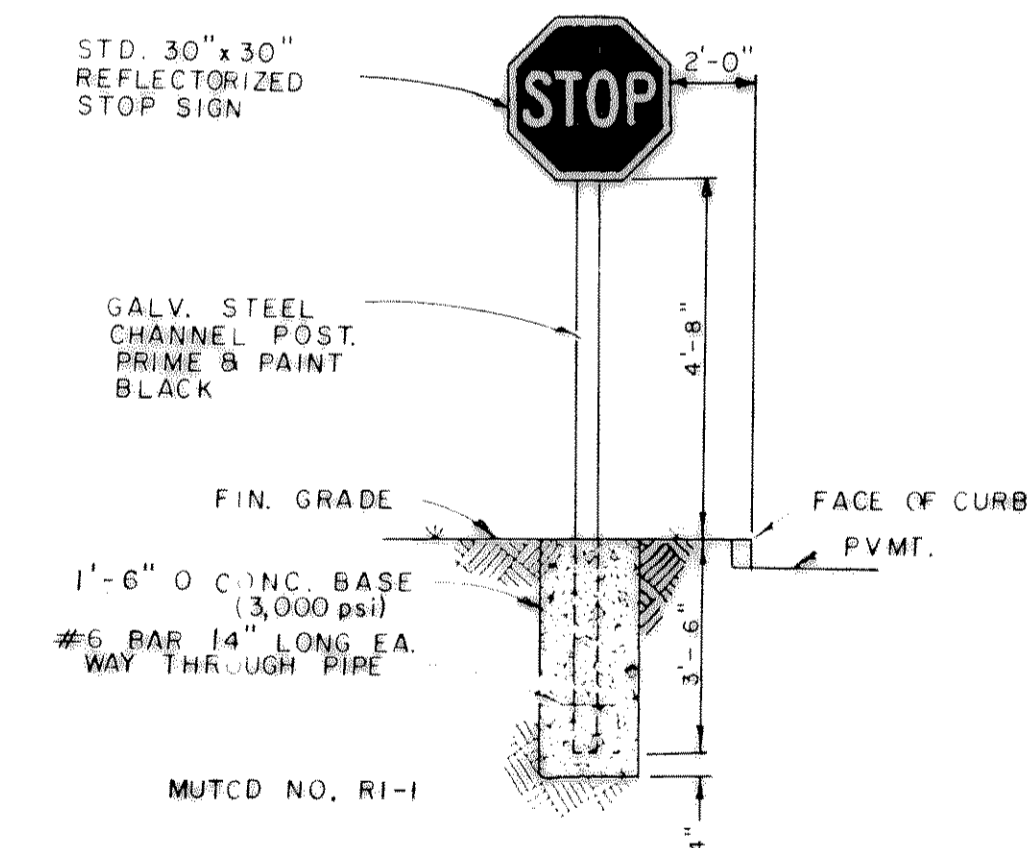
HANDICAPPED SIGN DETAIL

N.T.S.



GUARD POST DETAIL

NO SCALE



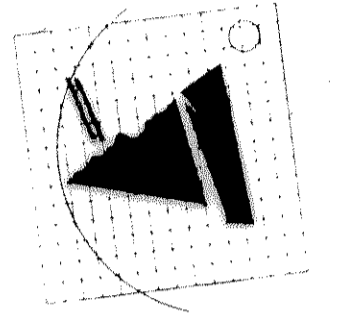
STOP SIGN DETAIL

Winkelmann & Associates, Inc. hereby certifies that this plan, to the best of our knowledge is "AS BUILT". All modifications from the originally approved construction documents have been made as per information provided by the contractor. Winkelmann & Associates, Inc. does not certify as to the correctness or quality of construction as no field inspection was performed.

[Signature] 1-9-92
WINKELMANN & ASSOCIATES, INC. DATE

NO.	REVISION	DATE
1		
2		
3		
4		
5		
6		
7		
8		
9		
10		

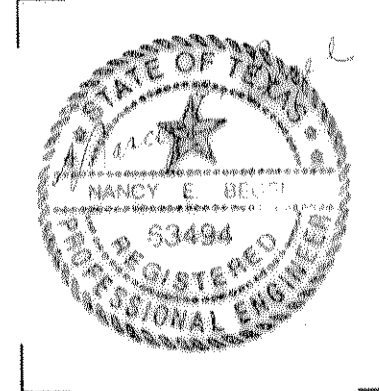
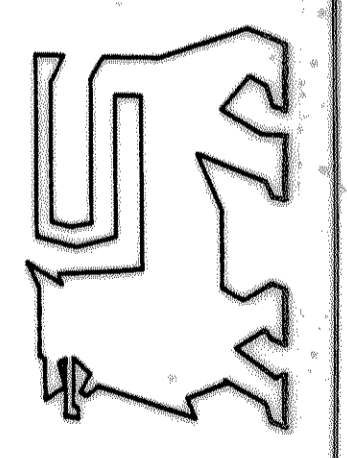
Winkelmann & Associates, Inc.
CONSULTING CIVIL ENGINEERS & SURVEYORS
1800 HILLCREST ROAD, SUITE 200
DALLAS, TEXAS 75230
(214) 442-7292
(214) 442-7293 FAX



ARTECH
DESIGN GROUP INC.

Chattanooga, TN, USA
252 Broad Street, Suite 201
423-264-4151 FAX 423-264-4151

FOOD LION, INC. SITE #50a
F.M. 740 @ F.M. 3097
Rockwall County
Rockwall, Texas



JOB NO. 06416.01
DATE 4-1-91
DRAWN E.B.R.
CHK JWC
SHEET: C-5
OF: CIVIL DETAILS