

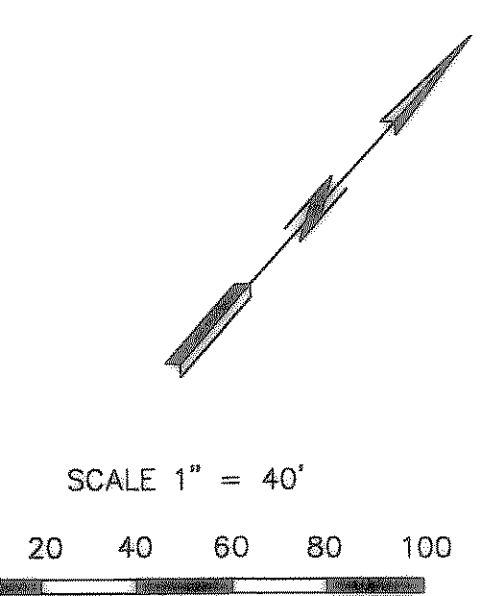
SITEPLAN  
 Xref:  
 Bldg  
 Culvert  
 Curbs  
 Easement  
 Firelane  
 Pond  
 Propline  
 PropROW  
 SanSew  
 Sidewalk  
 Topot  
 WS-Pipes  
 Legend  
 Signs

N 47° 57' 52" E 1,110.57'

TOTAL SITE 19.9981 Ac.

LEGEND

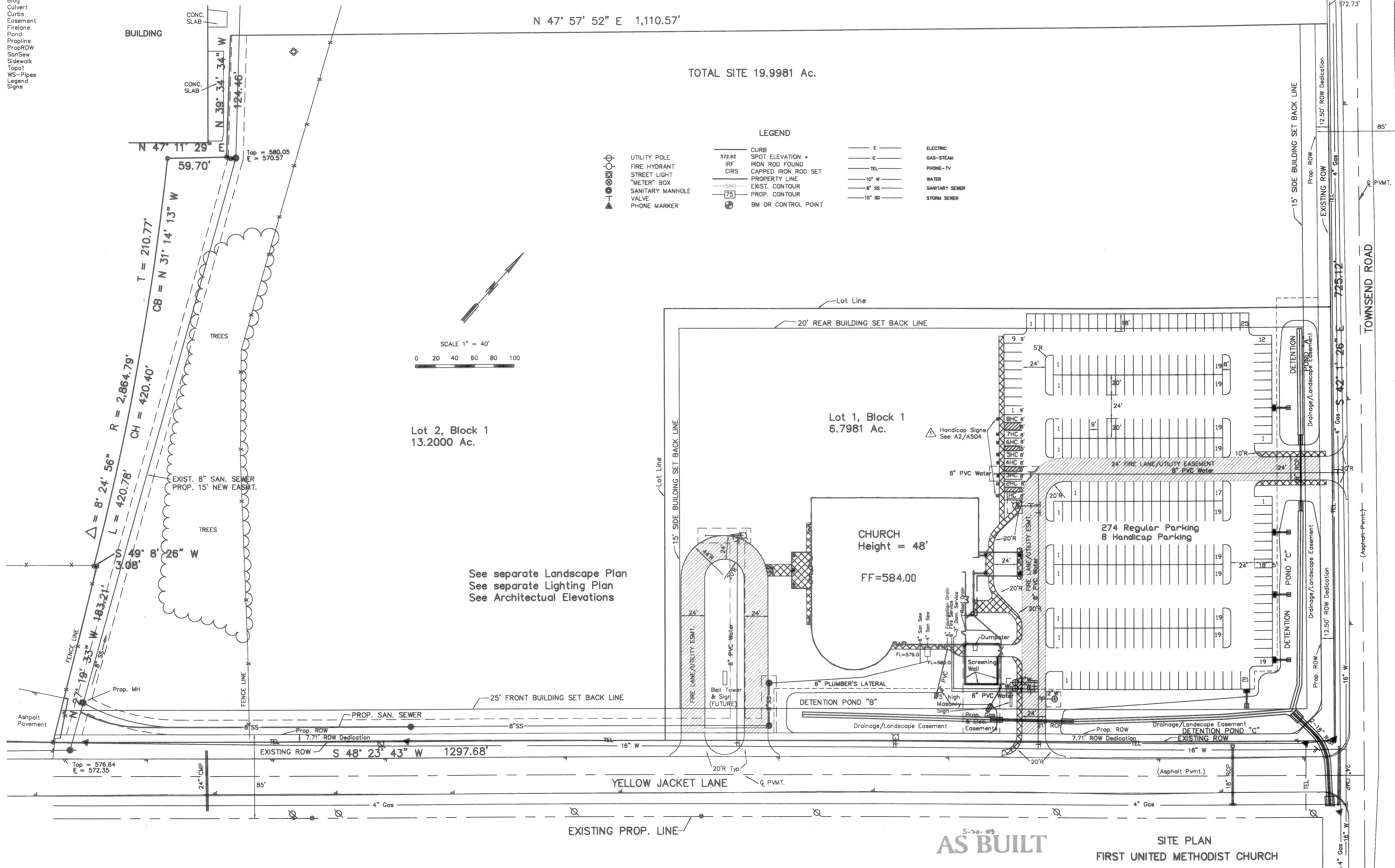
	UTILITY POLE		CURB		ELECTRIC
	FIRE HYDRANT		572.62 SPOT ELEVATION *		GAS-STEAM
	STREET LIGHT		IRF IRON ROD FOUND		PHONE-TV
	"METER" BOX		CIRS CAPPED IRON ROD SET		WATER
	SANITARY MANHOLE		PROPERTY LINE		SANITARY SEWER
	VALVE		-590 EXIST. CONTOUR		STORM SEWER
	PHONE MARKER		75 PROP. CONTOUR		
			BM OR CONTROL POINT		



Lot 2, Block 1  
 13.2000 Ac.

Lot 1, Block 1  
 6.7981 Ac.

See separate Landscape Plan  
 See separate Lighting Plan  
 See Architectural Elevations



AS BUILT

SITE PLAN  
 FIRST UNITED METHODIST CHURCH  
 of ROCKWALL

ADDENDUM #1 12-06-01  
 Show Handicap Sign Location

November 19, 2001