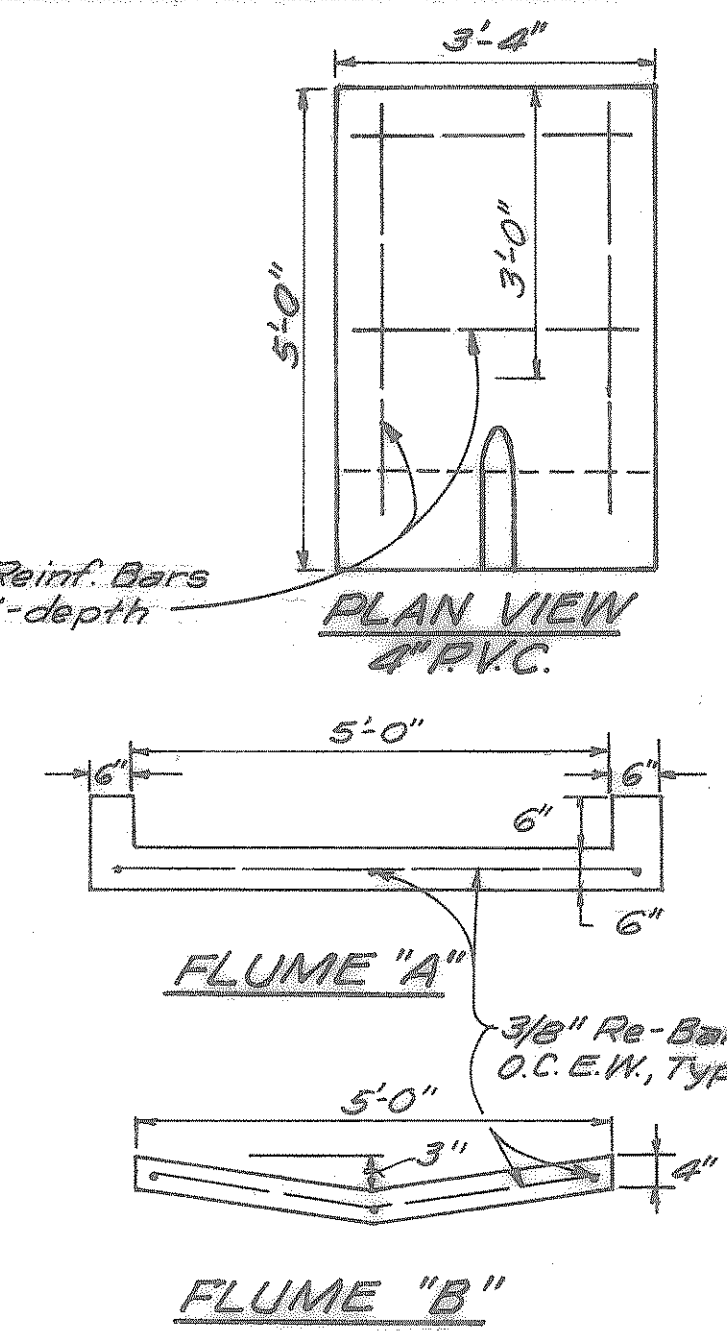
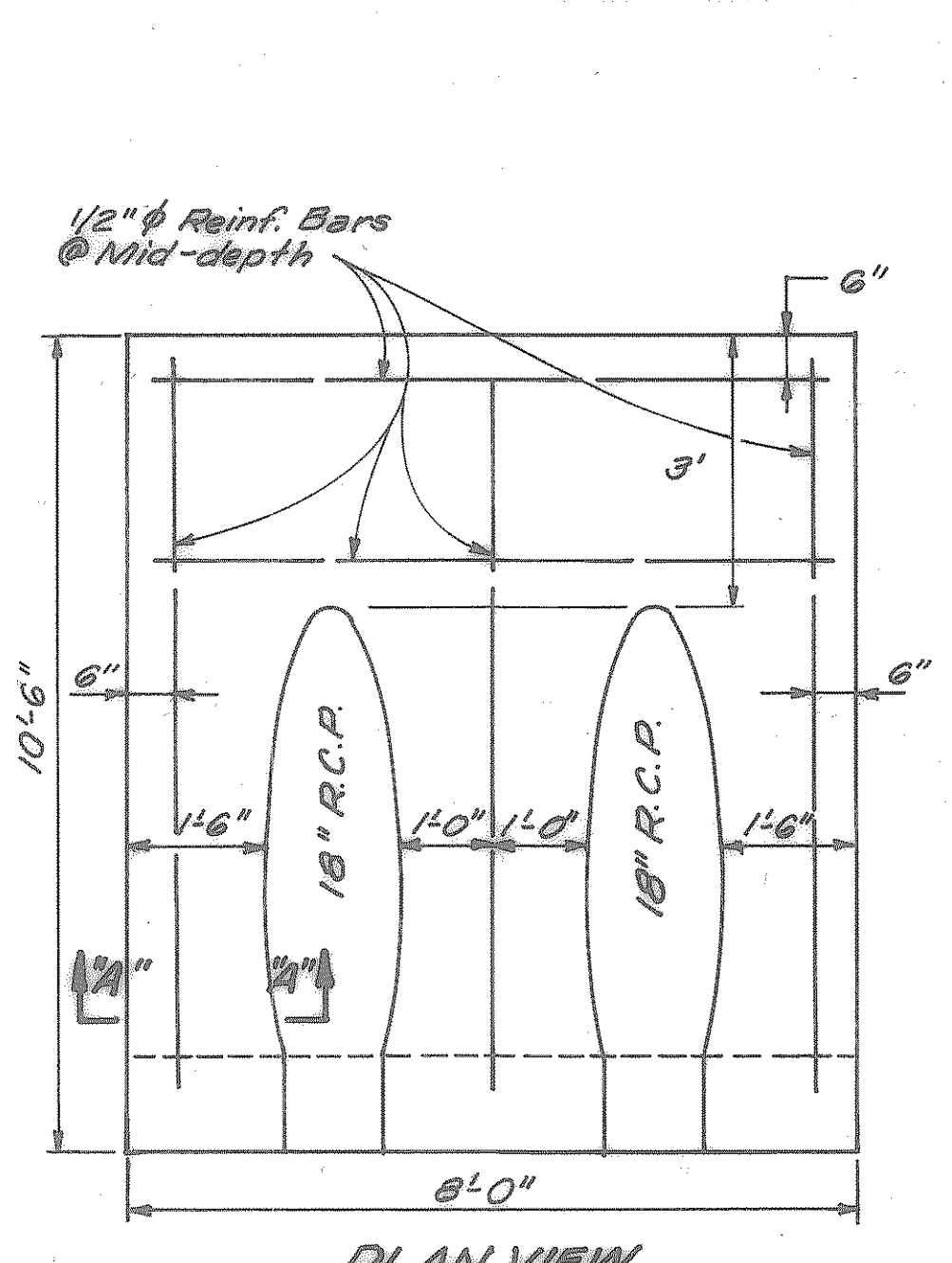


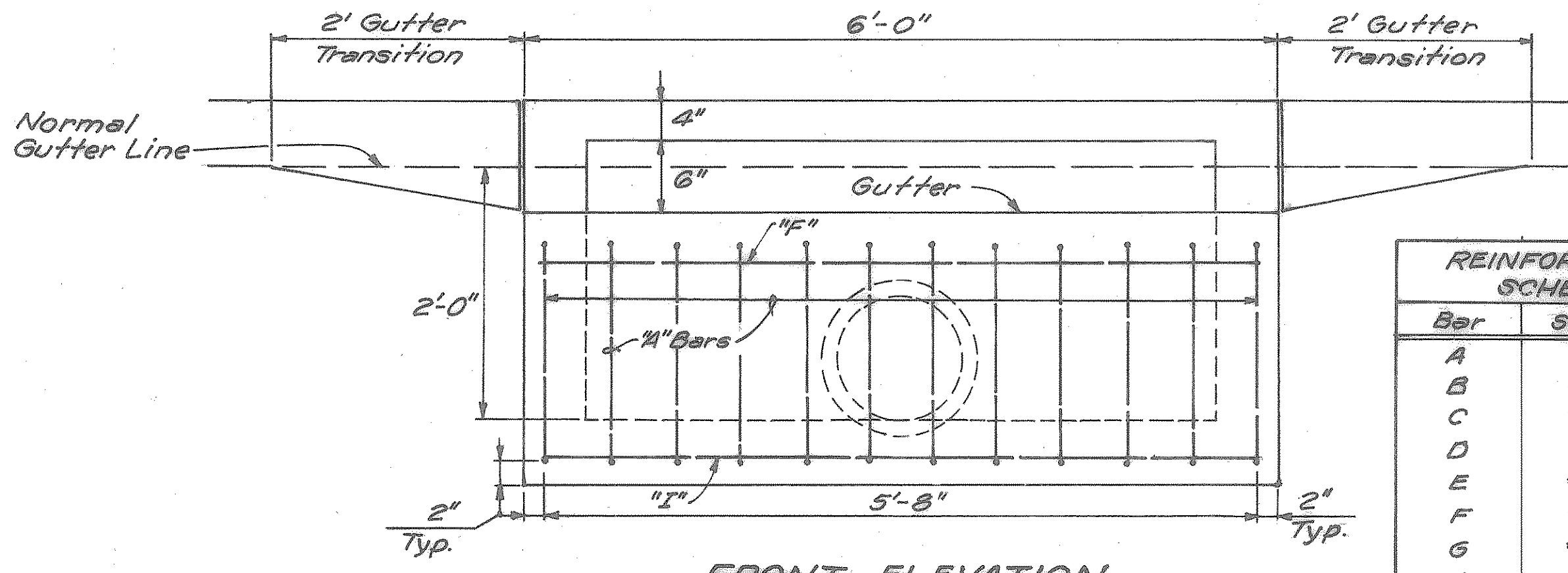
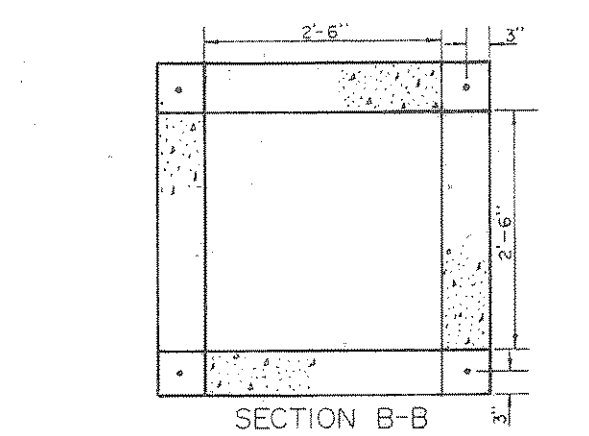
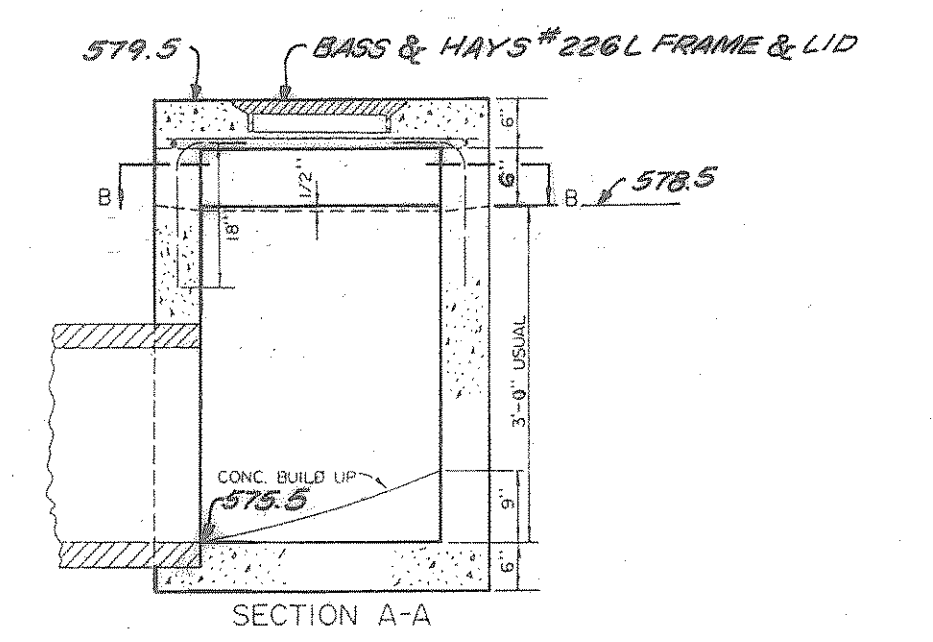
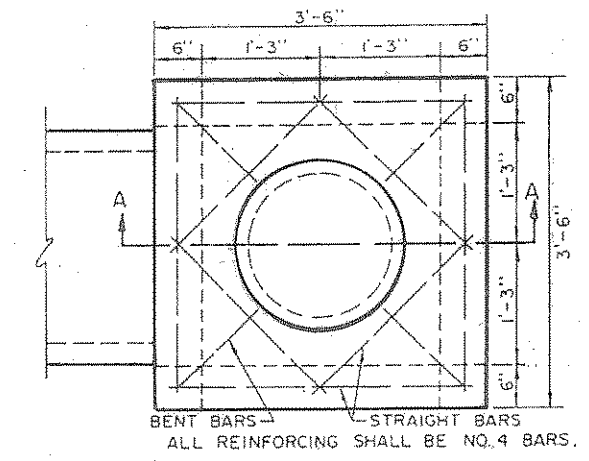
**TOP VIEW**



**CONCRETE FLUMES**  
Scale: 1"=2'-0"

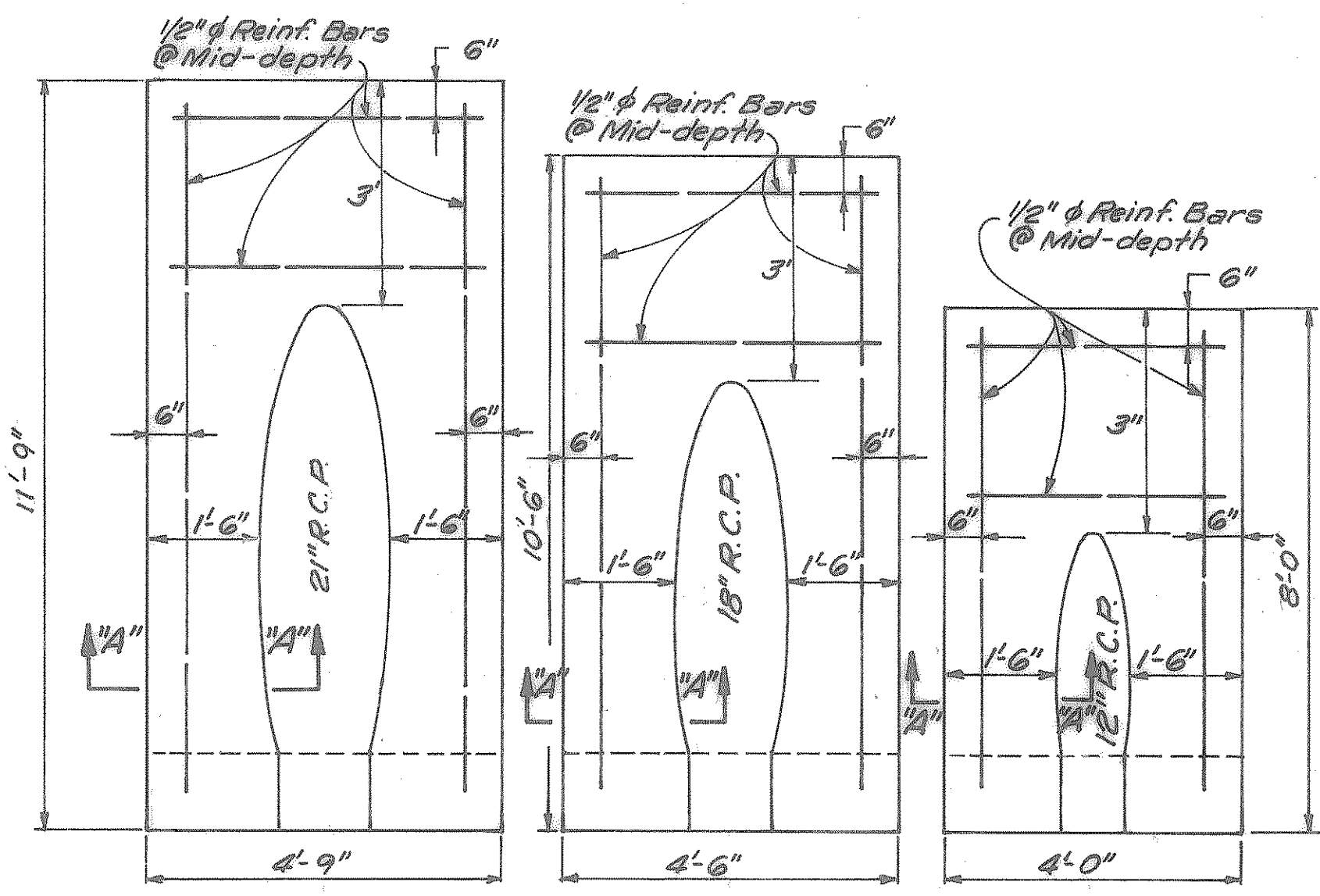


**TYPE "C" HEADWALL**  
Scale: 1"=2'-0"

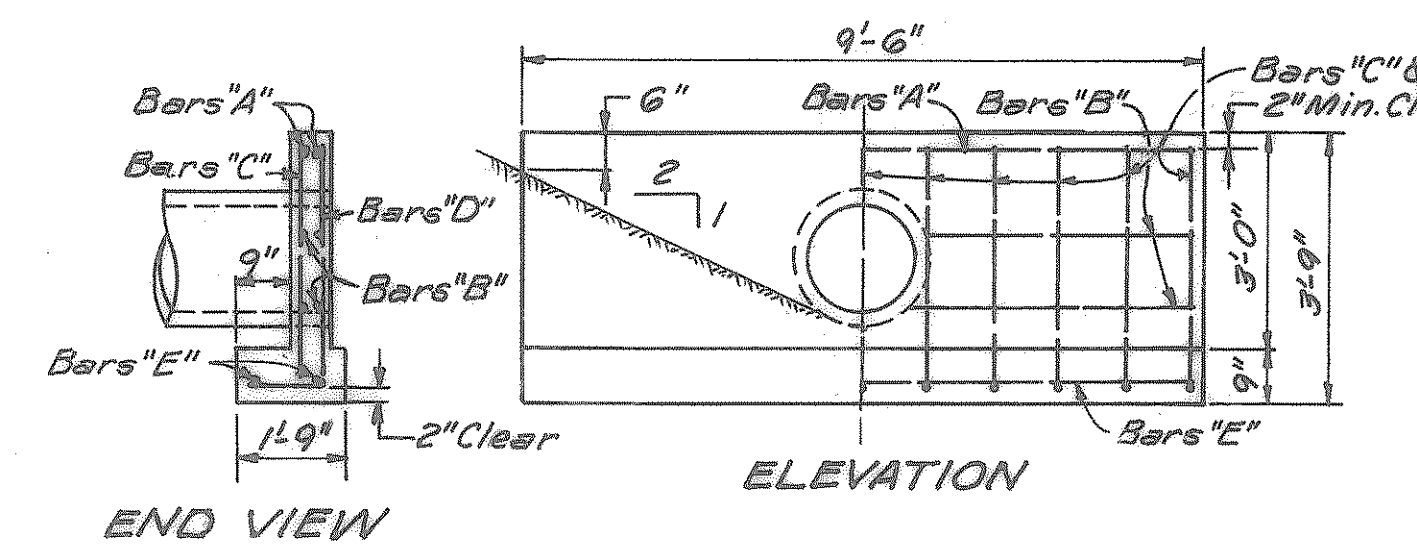


**FRONT ELEVATION**

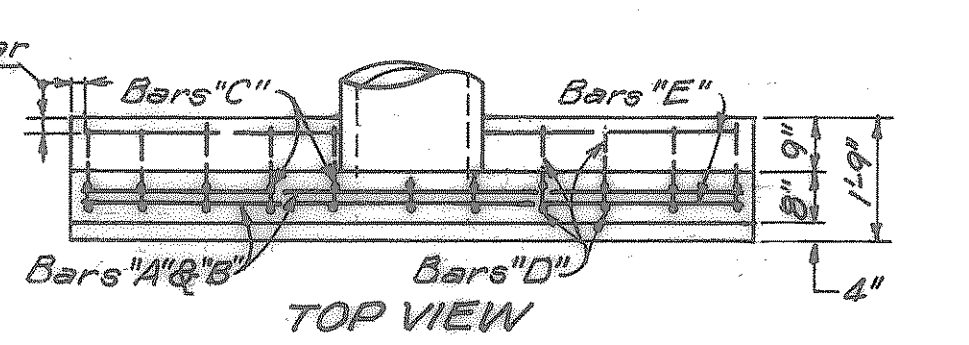
REINFORCING BAR SCHEDULE		
Bar	Size	Number
A	#2	12
B	#5	12
C	#3	4
D	#2	1
E	#4	2
F	#4	2
G	#6	2
H	#4	4
I	#4	4



**TYPE "C" HEADWALL**  
Scale: 1"=2'-0"

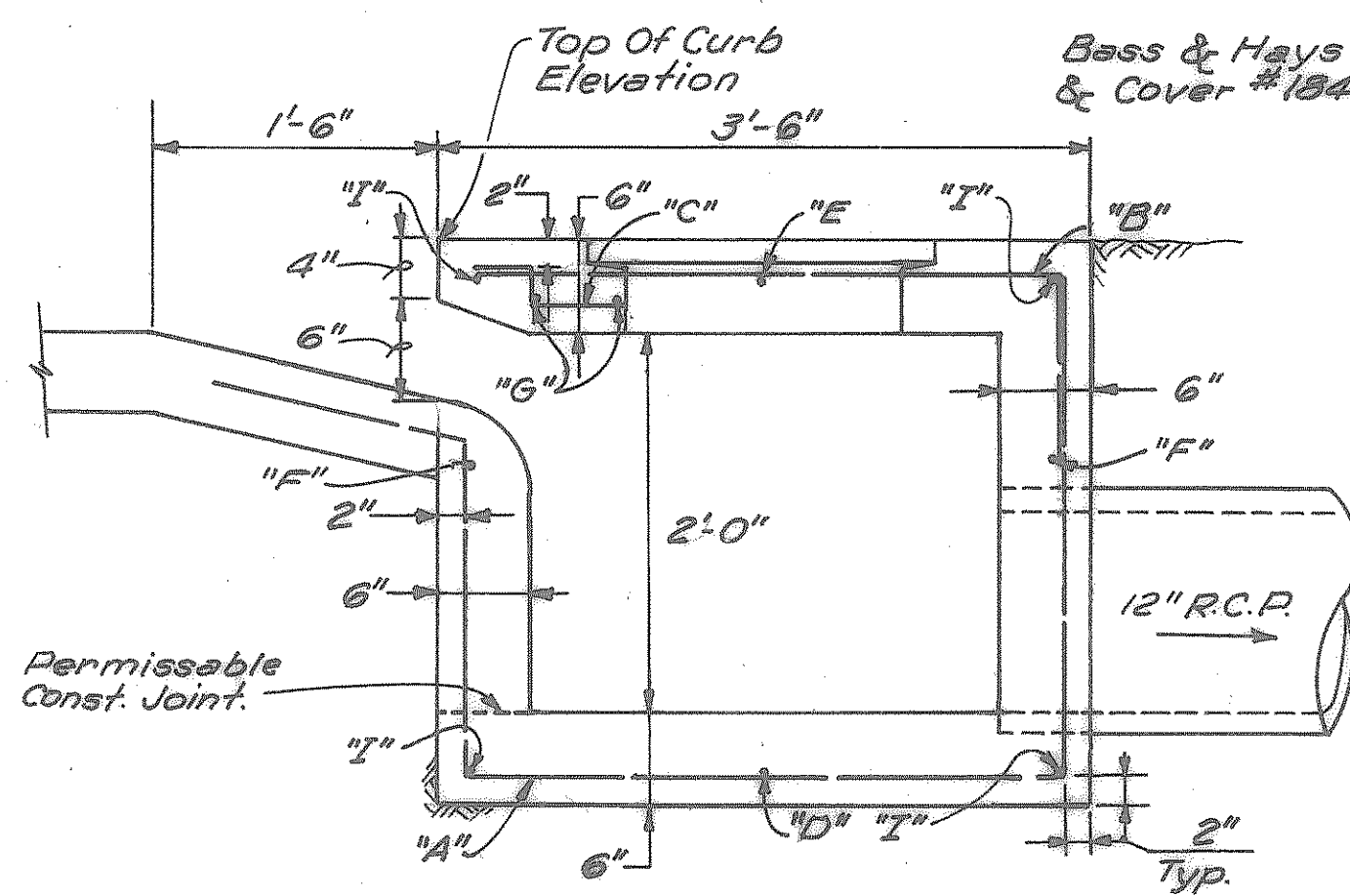


**END VIEW**

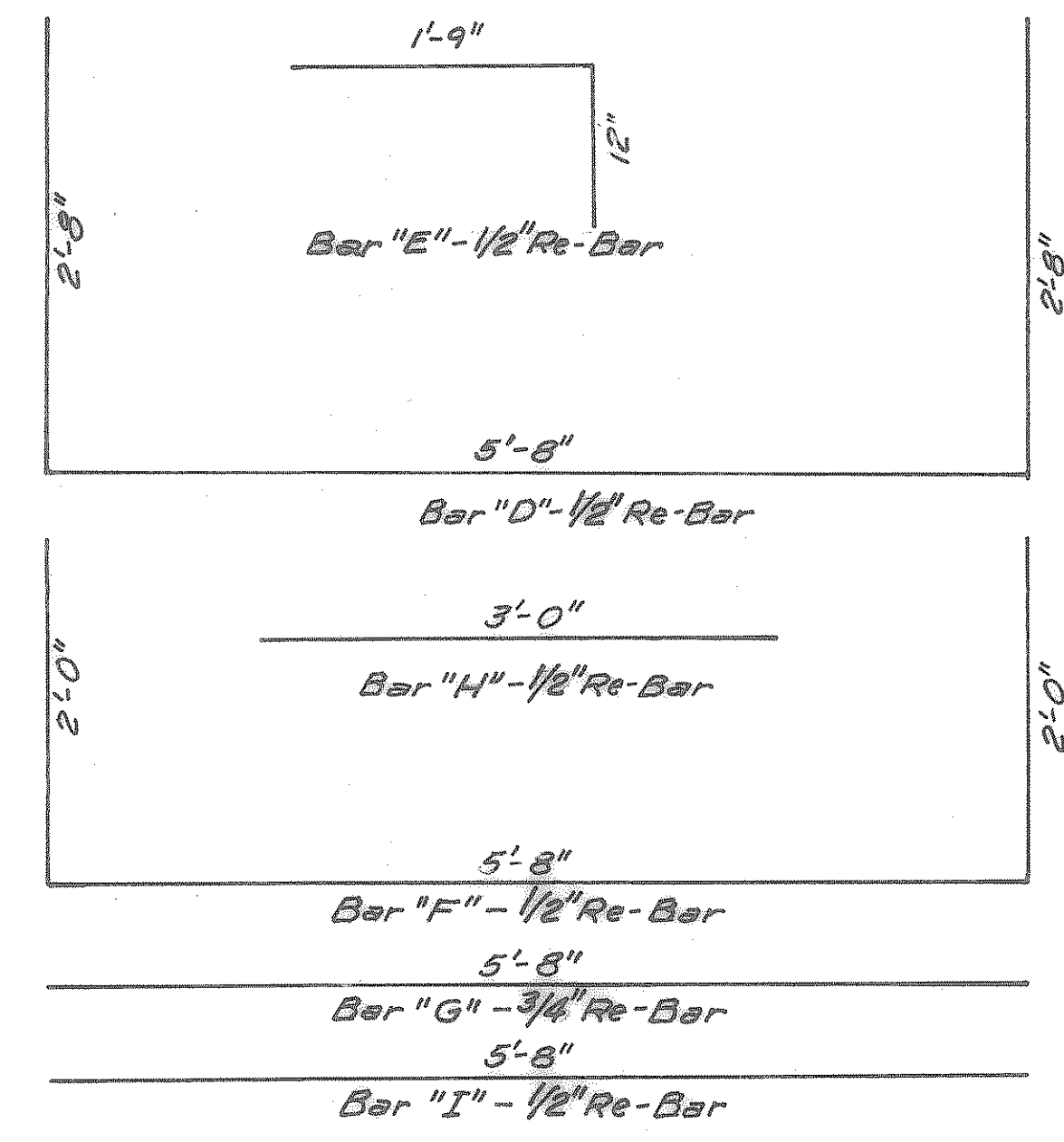


REINFORCING BAR SCHEDULE			
Bar	Size	Number	Spacing
A	#5	2	(See Details)
B	#3	4	@ 12" O.C.
C	#2	11	@ 11" O.C.
D	#2	11	@ 11" O.C.
E	#2	2	(See Details)

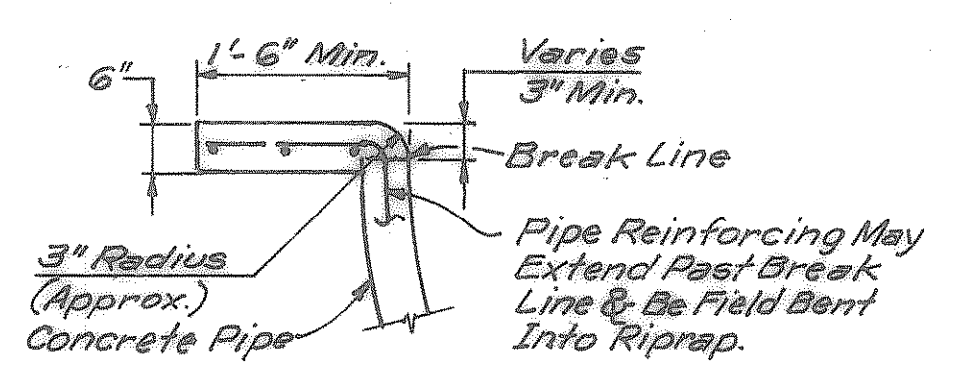
**TYPE "A" HEADWALL DETAILS**  
No Scale



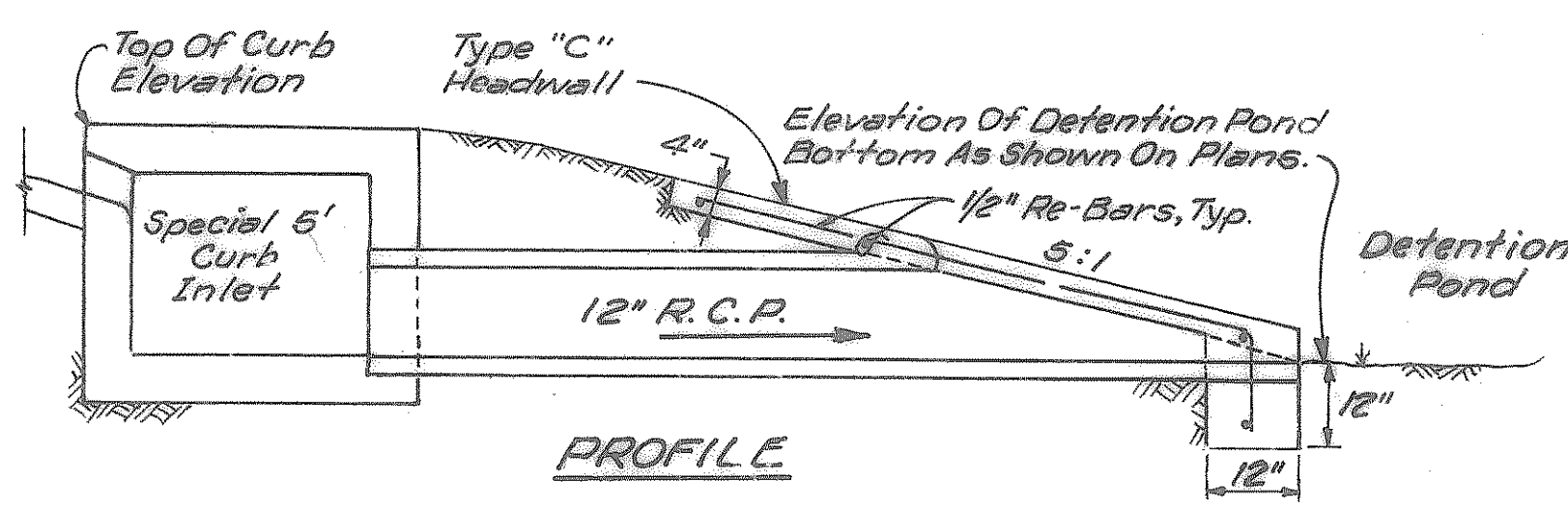
**SECTION "A-A"**



**REINFORCING BAR DETAILS**  
**SPECIAL 5' CURB INLET**  
Scale: 1"=1'-0"



**SECTION A-A**  
No Scale



**PROFILE**  
**PARKING LOT DRAINS**  
Scale: 1"=2'-0"

- NOTES:**
- All Concrete Shall Be 4200 P.S.I. @ 28 Days.
  - Exposed Conc. Surface Shall Have A Trowel And Brush Finish.
  - Field Cut Bars As Necessary To Accomodate Pipe And Manhole Ring.

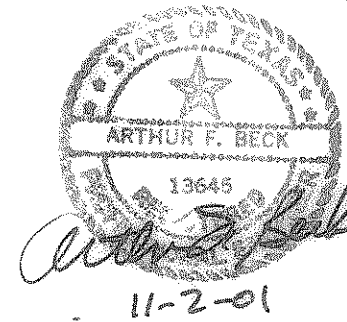
5-20-03  
**AS BUILT**

**C-6**

NOV. 19, 2001

**STORM SEWER DETAILS**  
FIRST UNITED METHODIST CHURCH,  
ROCKWALL  
CITY OF ROCKWALL, TEXAS  
F&S PARTNERS and BSM ENGINEERS

DESIGN	DRAWN	DATE	SCALE	NOTES	FILE	NO
F&S	BSM	11-01	AS NOTED	BSM		103



11-2-01