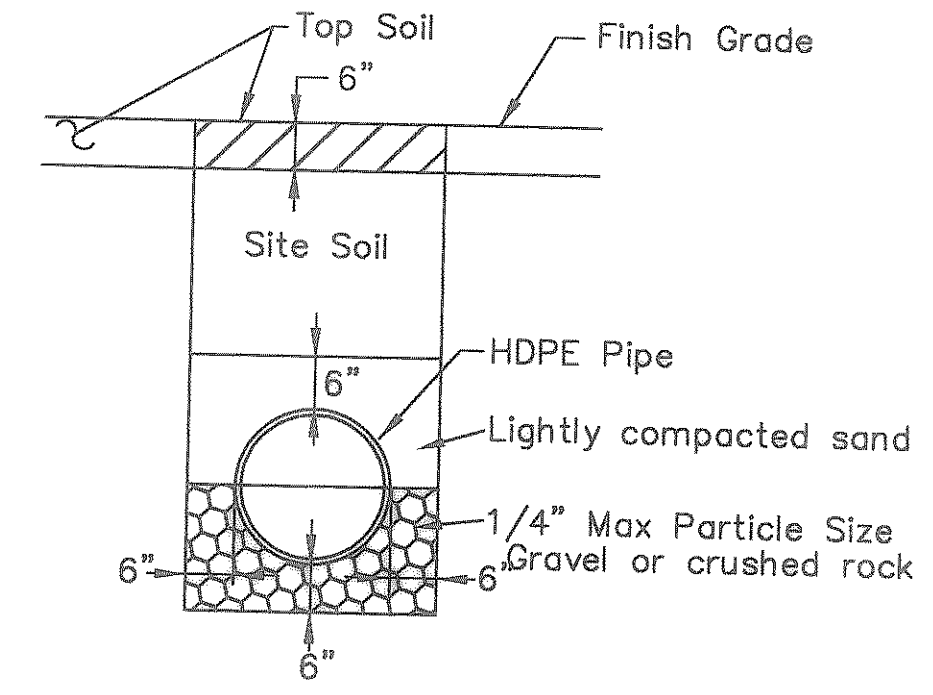


ALL STORM SEWER IS "PRIVATE" SYSTEM

NOTE  
Contractor may adjust stationing as necessary to fit site conditions.

SPECIFICATIONS  
Current NCTCOG Standard Specifications for Public Works Construction and City of Rockwall Specifications and Standards.



HDPE PIPE EMBEDMENT DETAIL

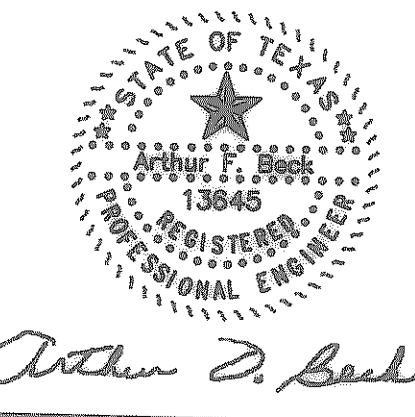
RECORD DRAWINGS  
5-24-07

5A  
9

July 11, 2005 PHASE 2

**STORM SEWER PROFILE**  
FIRST UNITED METHODIST CHURCH,  
ROCKWALL  
CITY OF ROCKWALL, TEXAS  
F&S PARTNERS and BSM ENGINEERS

DESIGN	DRAWN	DATE	SCALE	NOTES	FILE	NO
F&S	BSM	4-06		BSM		552



Arthur D. Beck