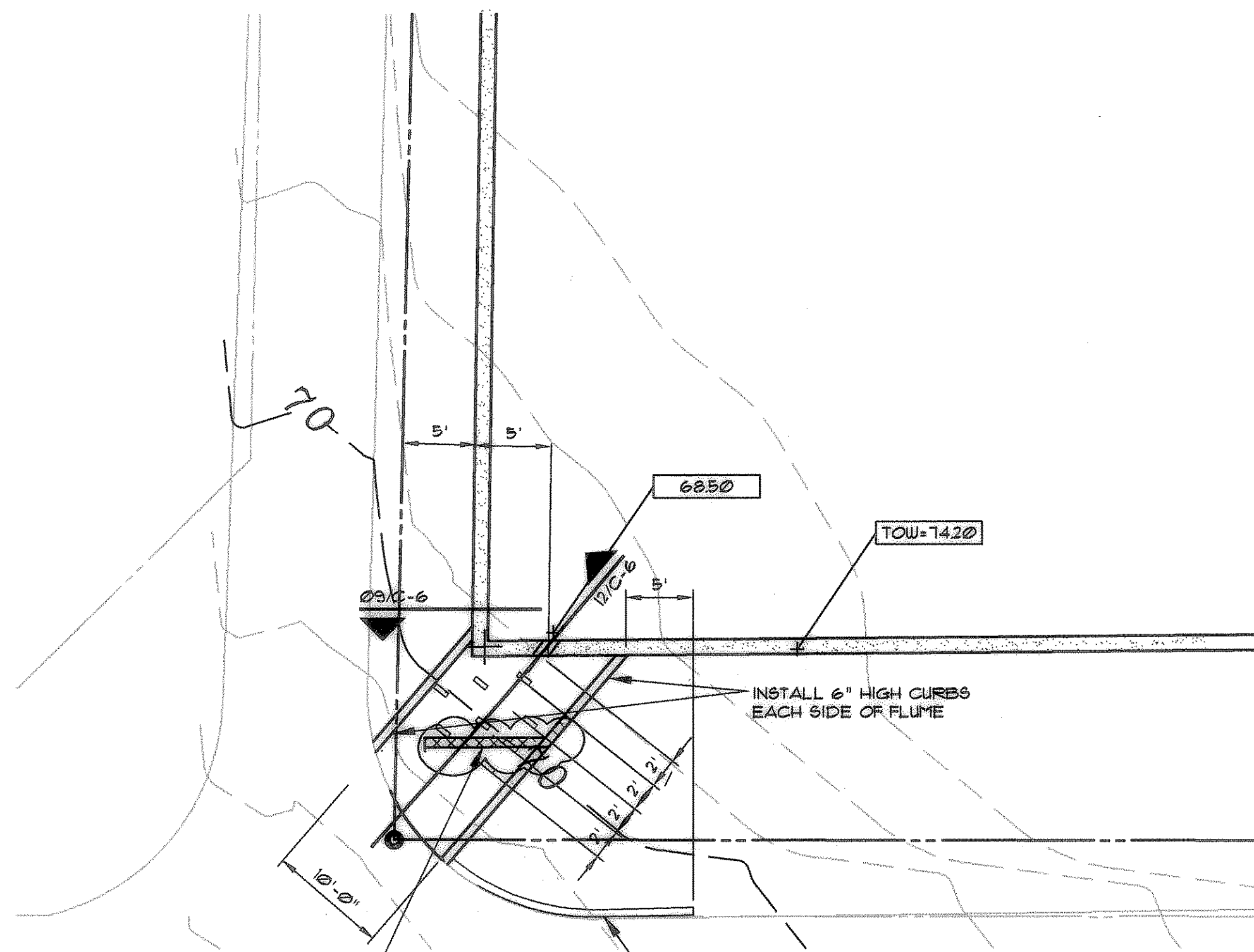
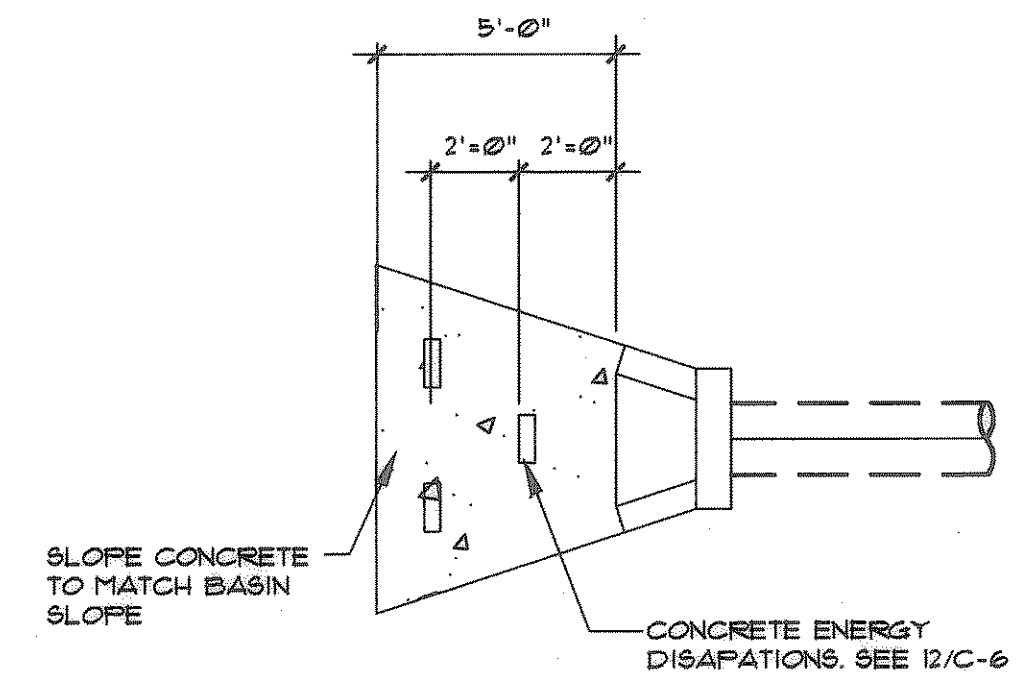


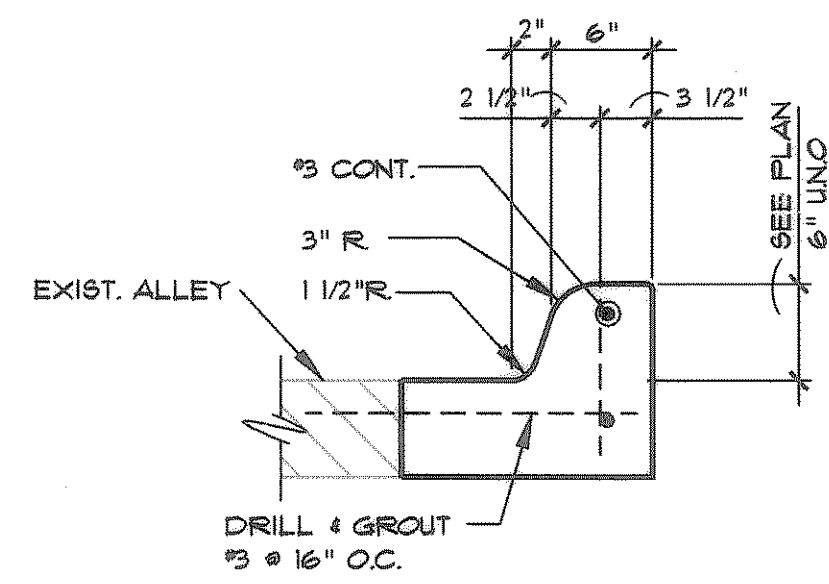
01 PARTIAL RETAINING WALL
1"=1/8"



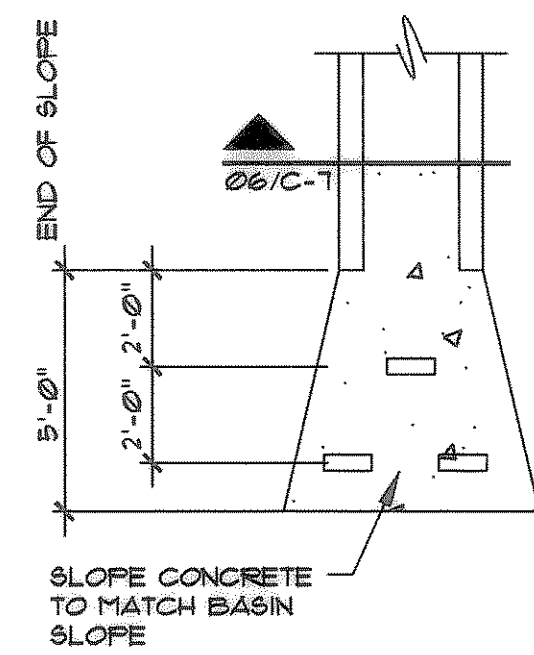
02 PARTIAL RETAINING WALL
1"=1/8"



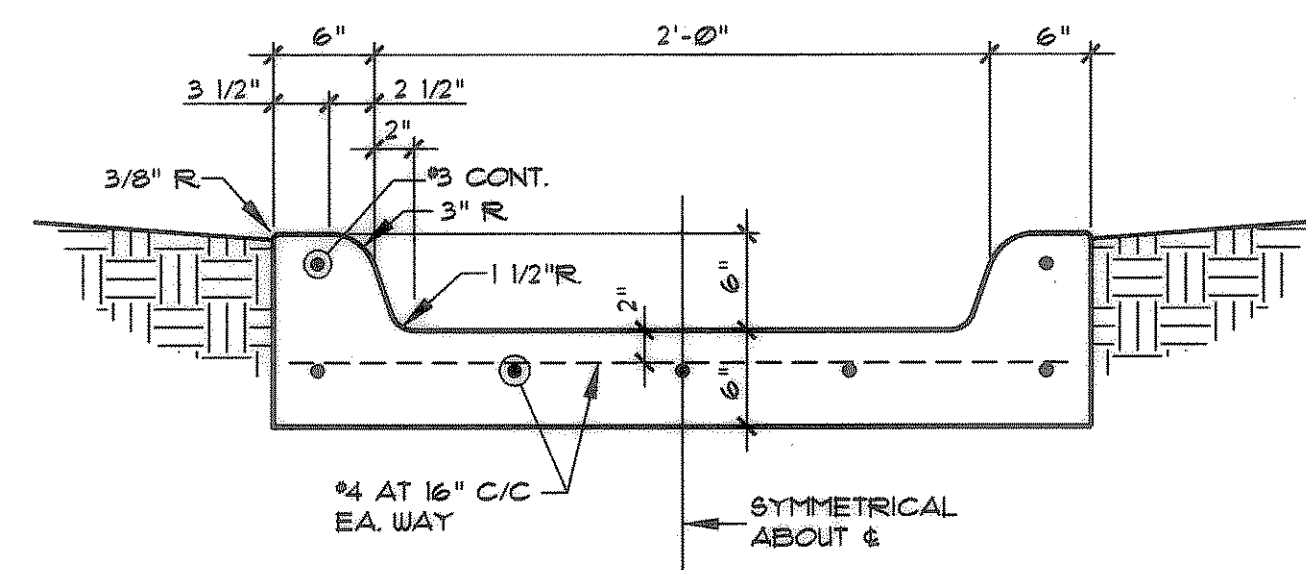
03 HEADWALL PLAN
1"=1/4"



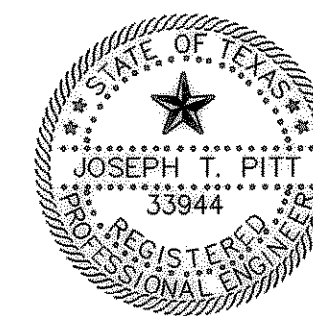
04 CURB DETAIL
1"=1/8"



05 CURB FLUME DETAIL
1"=1/8"



06 TYPICAL CURB FLUME
1"=1'-0"



REV. 1		APRIL 98	
FIRST BAPTIST CHURCH			
DEVELOPMENT PLANS - 1998 ADDITION BOYDSTUN AVENUE AT GOLIAD STREET ROCKWALL, TEXAS			
DATE	JOB NO.	DRAWN BY	SHEET NO.
MAR 98	97-102	HLB	C-7
TMBP TERRY EYOK • BERRITT • BARNETT • PITT CONSULTING ENGINEERS INC.		2301 N. AVARD ST. SUITE 405 DALLAS, TEXAS 75201 (214) 871-2302 FAX (214) 871-8716	CHECKED BY JJP