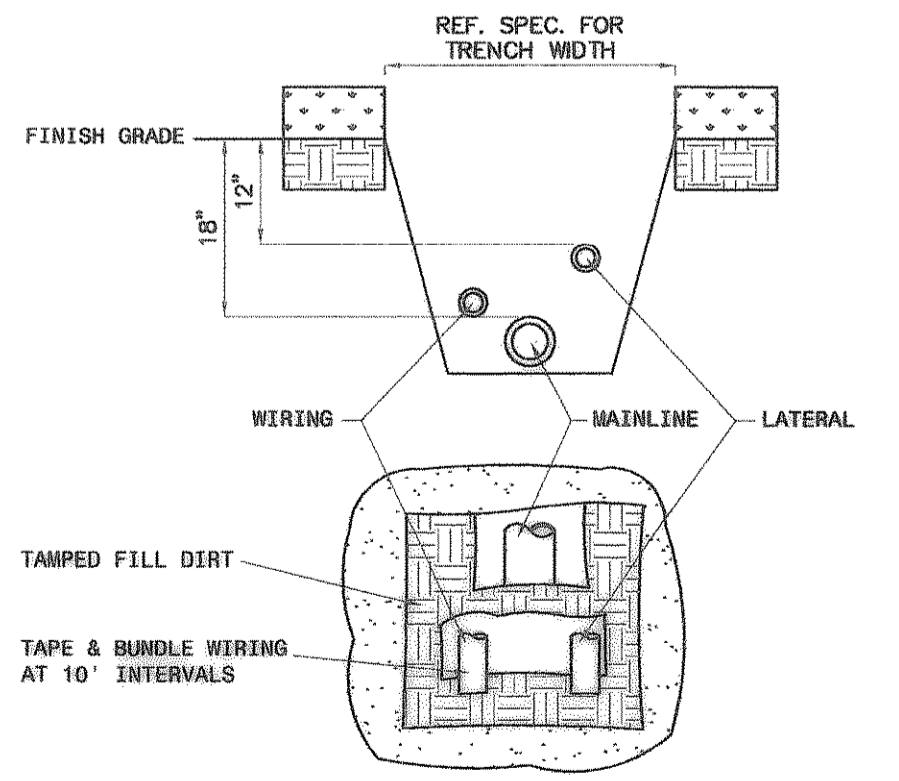
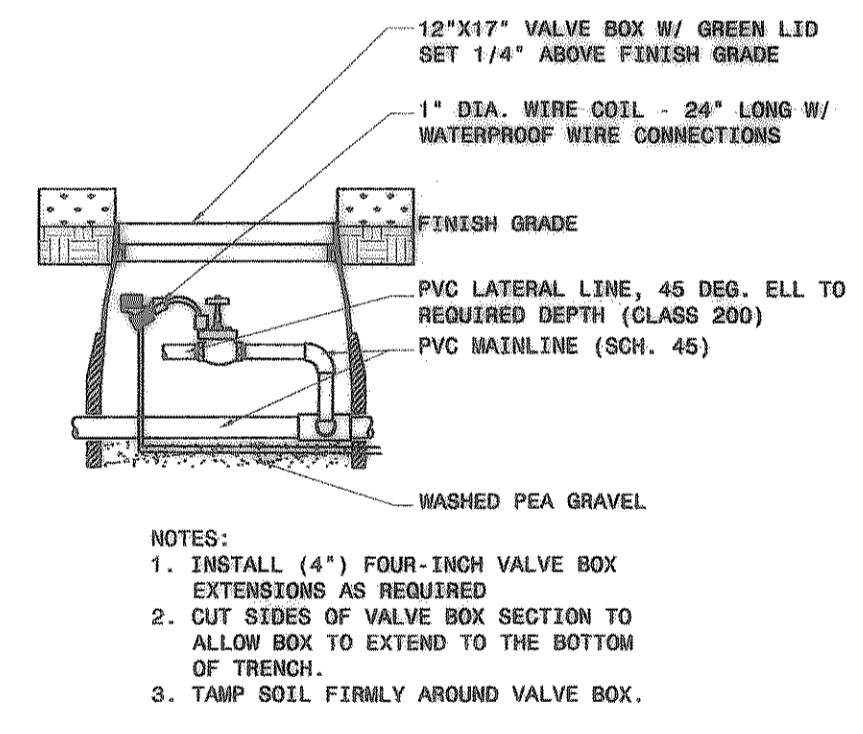
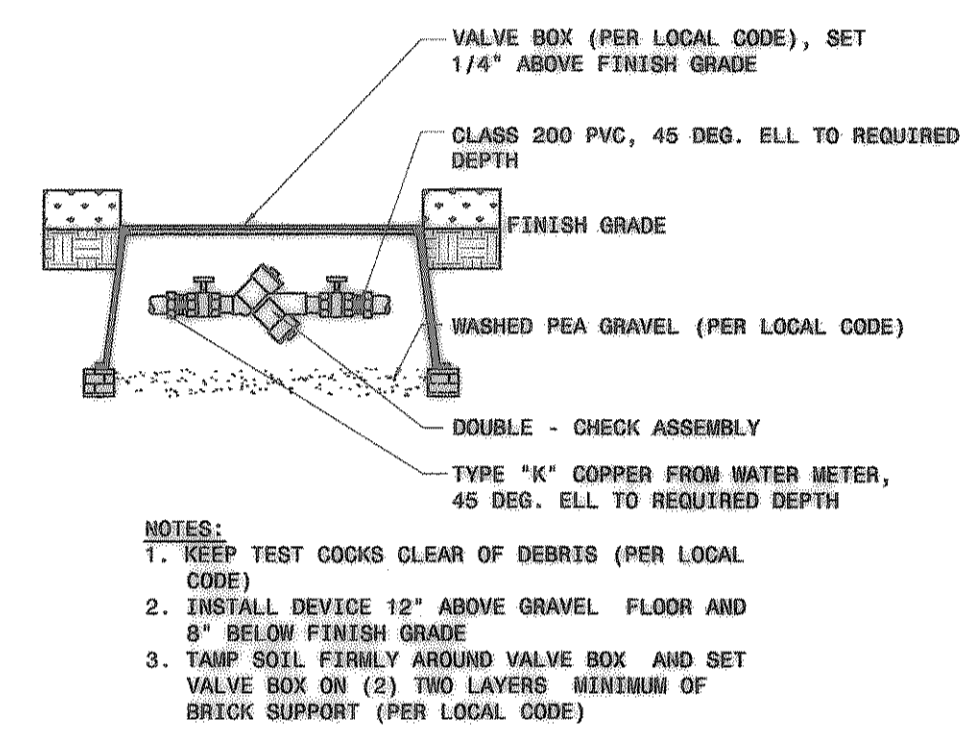
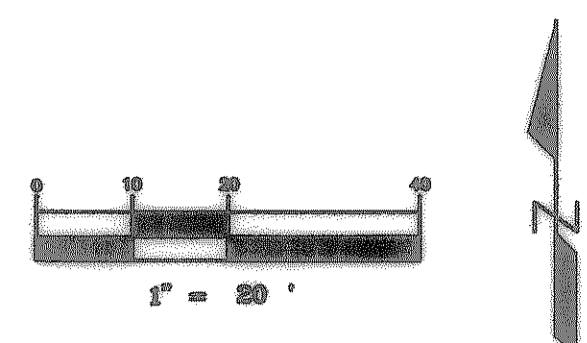
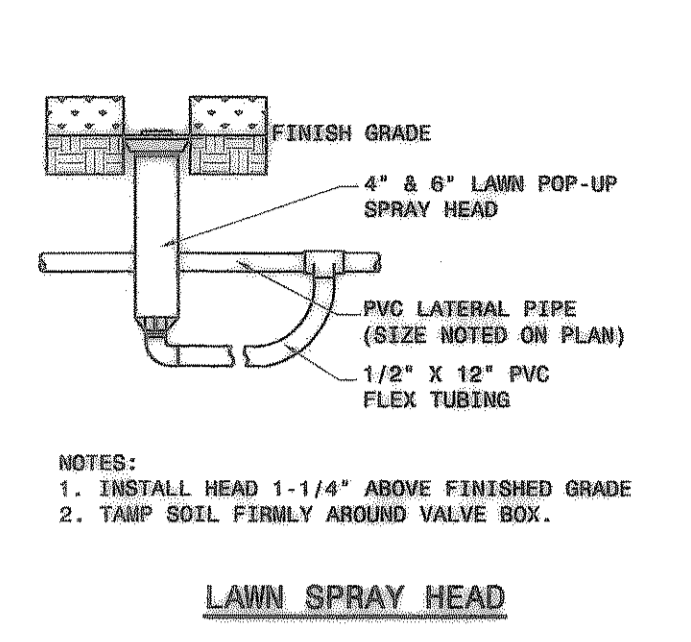
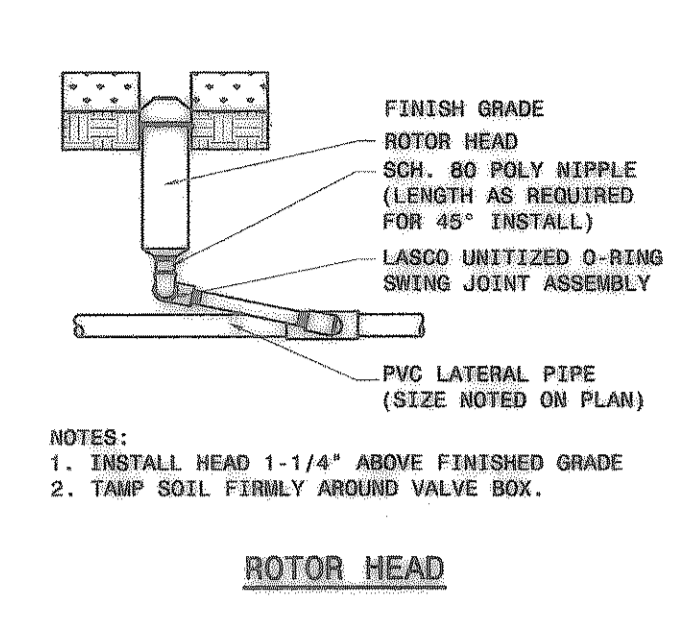
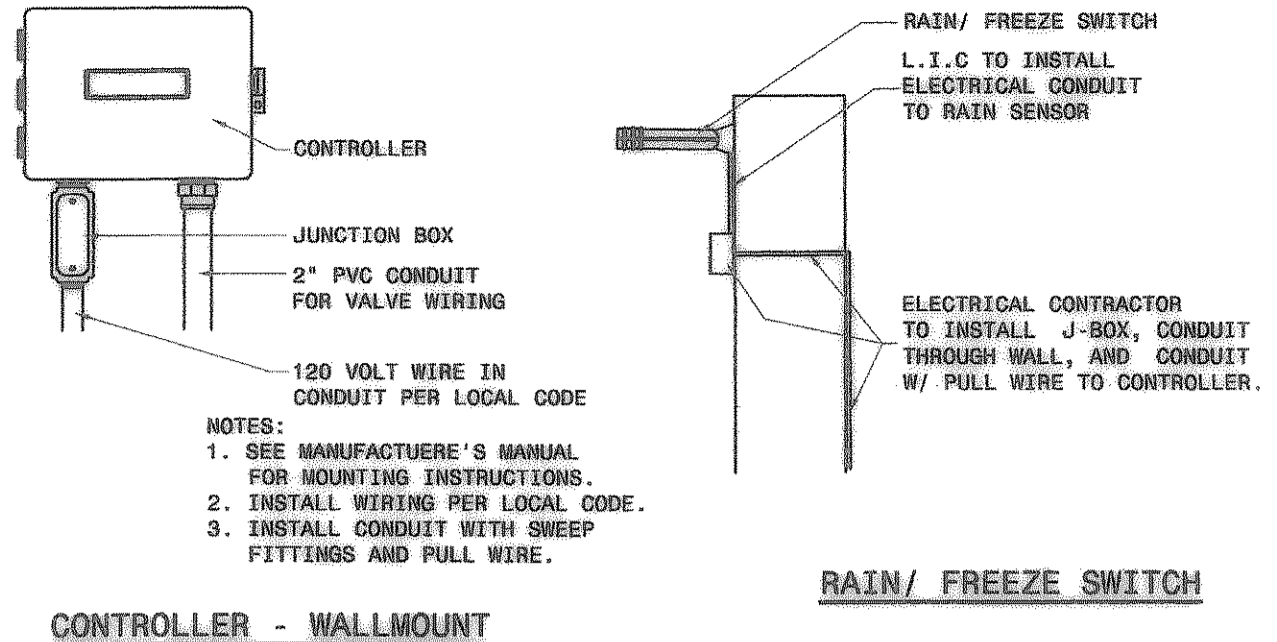
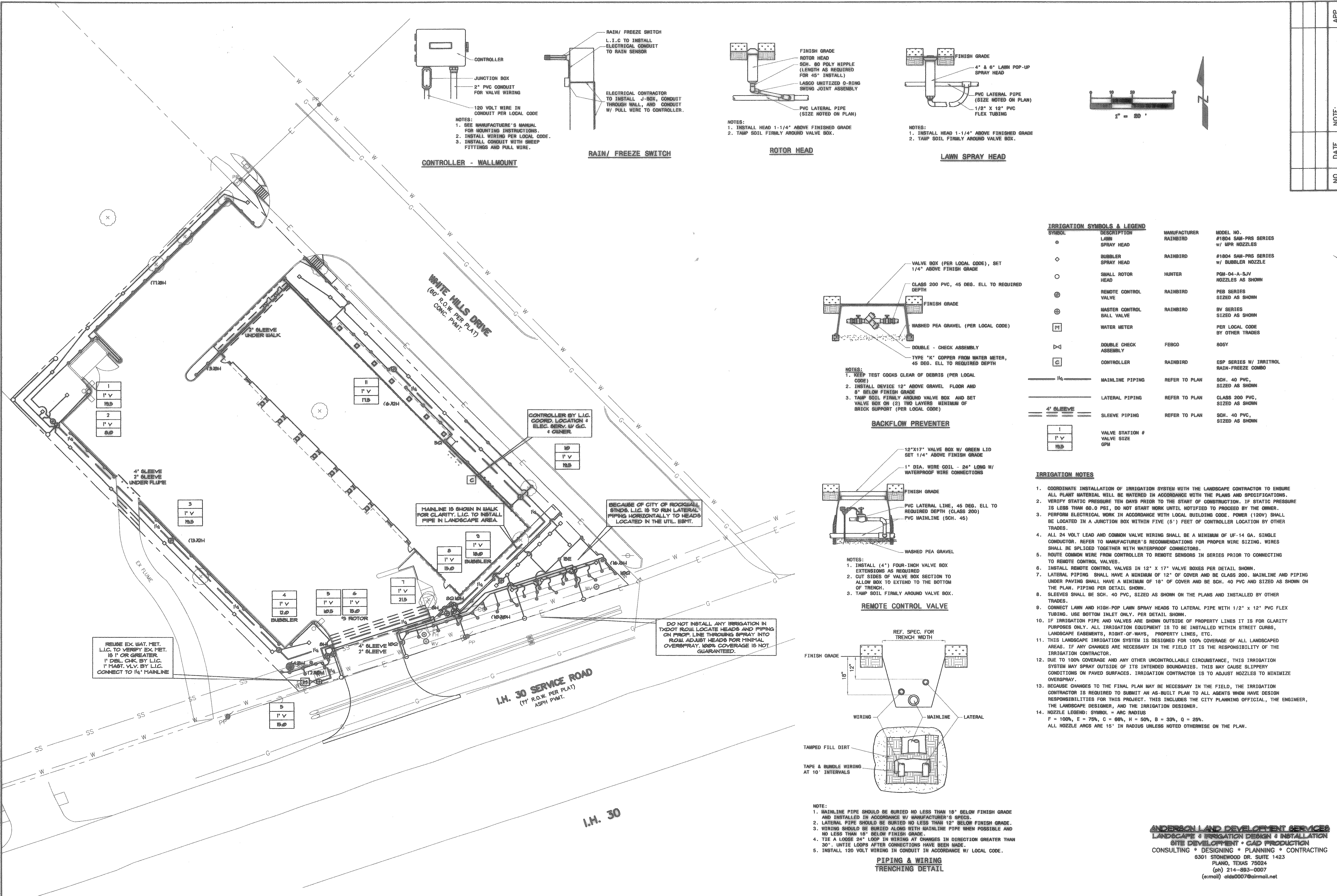


XAS\Land Projects 2007\268-33.dwg\01.L001.dwg 2/7/2008 2:38:21 PM CST



- NOTE:
1. MAINLINE PIPE SHOULD BE BURIED NO LESS THAN 18" BELOW FINISH GRADE
AND INSTALLED IN ACCORDANCE W/ MANUFACTURER'S SPECS.
2. LATERAL PIPE SHOULD BE BURIED NO LESS THAN 12" BELOW FINISH GRADE.
3. WIRING SHOULD BE BURIED ALONG WITH MAINLINE PIPE WHEN POSSIBLE AND
NO LESS THAN 18" BELOW FINISH GRADE.
4. TIE A LOOSE 24" LOOP IN WIRING AT CHANGES IN DIRECTION GREATER THAN
30°. UNTIE LOOPS AFTER CONNECTIONS HAVE BEEN MADE.
5. INSTALL 120 VOLT WIRING IN CONDUIT IN ACCORDANCE W/ LOCAL CODE.

IRRIGATION SYMBOLS & LEGEND

SYMBOL	DESCRIPTION	MANUFACTURER	MODEL NO.
●	LAWN SPRAY HEAD	RAINBIRD	#1804 SAM-PRS SERIES w/ MPR NOZZLES
◇	BUBBLER SPRAY HEAD	RAINBIRD	#1804 SAM-PRS SERIES w/ BUBBLER NOZZLE
○	SMALL ROTOR HEAD	HUNTER	PGM-04-A-SJV NOZZLES AS SHOWN
⊙	REMOTE CONTROL VALVE	RAINBIRD	PEB SERIES SIZED AS SHOWN
⊕	MASTER CONTROL BALL VALVE	RAINBIRD	BY SERIES SIZED AS SHOWN
M	WATER METER		PER LOCAL CODE BY OTHER TRADES
DC	DOUBLE CHECK ASSEMBLY	FEBCO	805Y
C	CONTROLLER	RAINBIRD	ESP SERIES W/ IRRITROL RAIN-FREEZE COMBO
— 1/2" —	MAINLINE PIPING	REFER TO PLAN	SCH. 40 PVC, SIZED AS SHOWN
— 1/4" —	LATERAL PIPING	REFER TO PLAN	CLASS 200 PVC, SIZED AS SHOWN
— 4" SLEEVE —	SLEEVE PIPING	REFER TO PLAN	SCH. 40 PVC, SIZED AS SHOWN
1 1" V 1.5 B	VALVE STATION # VALVE SIZE GPM		

IRRIGATION NOTES

- COORDINATE INSTALLATION OF IRRIGATION SYSTEM WITH THE LANDSCAPE CONTRACTOR TO ENSURE ALL PLANT MATERIAL WILL BE WATERED IN ACCORDANCE WITH THE PLANS AND SPECIFICATIONS.
- VERIFY STATIC PRESSURE TEN DAYS PRIOR TO THE START OF CONSTRUCTION. IF STATIC PRESSURE IS LESS THAN 60.0 PSI, DO NOT START WORK UNTIL NOTIFIED TO PROCEED BY THE OWNER.
- PERFORM ELECTRICAL WORK IN ACCORDANCE WITH LOCAL BUILDING CODE. POWER (120V) SHALL BE LOCATED IN A JUNCTION BOX WITHIN FIVE (5') FEET OF CONTROLLER LOCATION BY OTHER TRADES.
- ALL 24 VOLT LEAD AND COMMON VALVE WIRING SHALL BE A MINIMUM OF UF-14 GA. SINGLE CONDUCTOR. REFER TO MANUFACTURER'S RECOMMENDATIONS FOR PROPER WIRE SIZING. WIRES SHALL BE SPLICED TOGETHER WITH WATERPROOF CONNECTORS.
- ROUTE COMMON WIRE FROM CONTROLLER TO REMOTE SENSORS IN SERIES PRIOR TO CONNECTING TO REMOTE CONTROL VALVES.
- INSTALL REMOTE CONTROL VALVES IN 12" X 17" VALVE BOXES PER DETAIL SHOWN.
- LATERAL PIPING SHALL HAVE A MINIMUM OF 12" OF COVER AND BE CLASS 200. MAINLINE AND PIPING UNDER PAVING SHALL HAVE A MINIMUM OF 18" OF COVER AND BE SCH. 40 PVC AND SIZED AS SHOWN ON THE PLAN. PIPING PER DETAIL SHOWN.
- SLEEVES SHALL BE SCH. 40 PVC, SIZED AS SHOWN ON THE PLANS AND INSTALLED BY OTHER TRADES.
- CONNECT LAWN AND HIGH-POP LAWN SPRAY HEADS TO LATERAL PIPE WITH 1/2" X 12" PVC FLEX TUBING. USE BOTTOM INLET ONLY. PER DETAIL SHOWN.
- IF IRRIGATION PIPE AND VALVES ARE SHOWN OUTSIDE OF PROPERTY LINES IT IS FOR CLARITY PURPOSES ONLY. ALL IRRIGATION EQUIPMENT IS TO BE INSTALLED WITHIN STREET CURBS, LANDSCAPE EASEMENTS, RIGHT-OF-WAYS, PROPERTY LINES, ETC.
- THIS LANDSCAPE IRRIGATION SYSTEM IS DESIGNED FOR 100% COVERAGE OF ALL LANDSCAPED AREAS. IF ANY CHANGES ARE NECESSARY IN THE FIELD IT IS THE RESPONSIBILITY OF THE IRRIGATION CONTRACTOR.
- DUE TO 100% COVERAGE AND ANY OTHER UNCONTROLLABLE CIRCUMSTANCE, THIS IRRIGATION SYSTEM MAY SPRAY OUTSIDE OF ITS INTENDED BOUNDARIES. THIS MAY CAUSE SLIPPERY CONDITIONS ON PAVED SURFACES. IRRIGATION CONTRACTOR IS TO ADJUST NOZZLES TO MINIMIZE OVERSPRAY.
- BECAUSE CHANGES TO THE FINAL PLAN MAY BE NECESSARY IN THE FIELD, THE IRRIGATION CONTRACTOR IS REQUIRED TO SUBMIT AN AS-BUILT PLAN TO ALL AGENTS WHOM HAVE DESIGN RESPONSIBILITIES FOR THIS PROJECT. THIS INCLUDES THE CITY PLANNING OFFICIAL, THE ENGINEER, THE LANDSCAPE DESIGNER, AND THE IRRIGATION DESIGNER.
- NOZZLE LEGEND: SYMBOL = ARC RADIUS
F = 100%, E = 75%, C = 60%, H = 50%, B = 33%, G = 25%.
ALL NOZZLE ARCS ARE 15" IN RADIUS UNLESS NOTED OTHERWISE ON THE PLAN.

ANDERSON LAND DEVELOPMENT SERVICES
LANDSCAPE & IRRIGATION DESIGN & INSTALLATION
SITE DEVELOPMENT & CAD PRODUCTION
CONSULTING * DESIGNING * PLANNING * CONTRACTING
6301 STONEMOOD DR. SUITE 1423
PLANO, TEXAS 75024
(ph) 214-893-0007
(e-mail) alds007@aimail.net

APP. _____
NO. _____ DATE _____ NOTE _____

TOMDEN ENGINEERING, L.L.P.
12655 N. Central Expwy., Suite 1016
Dallas, Texas 75243
Ph: 972.386.6446 Fax: 972.386.6409
mail@tomden.com

Mays & Company
Real Estate Development
4949 Sherry Lane, Suite 1070, Dallas, Texas 75226
Phone: (972) 382-3000 Fax: (972) 382-3400

IRRIGATION PLAN
FIRESTONE
LOT 1, BLOCK A
DERRICK ADDITION
ROCKWALL, TEXAS

Scale: 1" = 20'
Designed by: J.K.A.
Drawn by: CAD
Checked by: J.K.A.
S:\LP 2007\268-33.dwg\01.L001.dwg
02/01/08

SHEET
L2