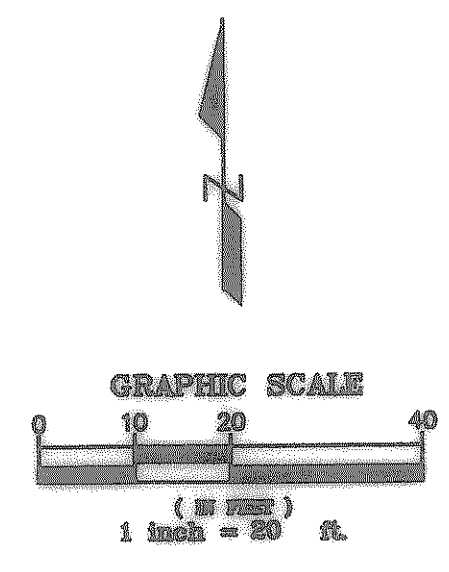


**NOTES:**  
SEE SHT "L1" FOR EXISTING TREES TO BE REMOVED / PROTECTED



EXISTING	LEGEND	PROPOSED
---	PROPERTY LINE	---
---	PAVEMENT	---
---	CONTOUR	---
W EX. W	WATER LINE	---
SS EX. SS	SAN. SEW. LINE	---
E	ELEC. LINE	---
G	GAS LINE	---
T	TELE LINE	---
---	STORM SEWER	---

**BENCHMARK**  
"X" CUT ON SOUTHWEST TOP CORNER OF CULVERT LOCATED APPROX. 68.8' EAST OF THE SOUTHWEST CORNER OF SUBJECT TRACT.  
ELEV. = 542.15

- NOTES**
1. Topographic survey and Land Title Survey by Foresight Land Services L.L.C., dated 09/16/07
  2. Erosion Control to be installed prior to demolition see sheet C4.
  3. Site Demolition shall be conducted as a "wet" demo to the extent necessary.
  4. See sheet C2 for Paving & Layout.
  5. See sheet C3 for Grading.
  6. See sheet C4 for Erosion Control Plan.
  7. See sheet C5 for Utilities.
  8. See sheet C6 for details, sections and General notes.

**SITE DEMOLITION SPECIFICATIONS**

- PART 1 - GENERAL**
- 1.1 RELATED DOCUMENTS**
- A. Drawings and general provisions of the Contract, including General and Supplementary Conditions and Division 1 Specification Sections, apply to this Section.
1. Section 01400 - Testing Laboratory Services
  2. Section 02110 - Site Clearing
  3. Section 02200 - Earthwork
  4. Section 02221 - Excavation, Trenching, Embedment, and Backfilling for Utilities
- 1.2 SCOPE**
- A. Perform all Work required for the complete and satisfactory execution of all site demolition, including designated structures, foundations, slabs-on-grade, identified utilities and underground piping.
- 1.3 PROJECT RECORD DOCUMENTS**
- A. Submit field record of this plan indicating any changes in actual conditions or work performed.
- B. Accurately record actual location of capped utilities and subsurface obstructions.
- 1.4 REGULATORY REQUIREMENTS**
- A. Conform to applicable city, county, state and federal codes for demolition of structures, safety of adjacent structures, dust control, runoff control and disposal of related items.
- B. Obtain required permits from authorities having jurisdiction.
- C. Notify affected utility companies a minimum of forty-eight (48) hours before starting Work and comply with their requirements.
- D. Do not close or obstruct roadways, sidewalks, drainage paths, or hydrants without permits from agencies having jurisdiction.
- E. Conform to all applicable regulatory procedures when discovering hazardous or contaminated materials.
- F. Construct all erosion control measures prior to demolition or earthwork commencement per plans.
- PART 2 - PRODUCTS**
- NONE**
- PART 3 - EXECUTION**
- 3.1 PREPARATION**
- A. Provide, erect, and maintain temporary barriers and security devices as needed and/or required by the Owner, city, county, state, or federal regulations.
- B. Protect existing landscaping materials, if any, appurtenances and structures which are not to be demolished.
- C. Provide bracing and shoring as required to prevent movement or settlement of all adjacent structures.
- D. Mark location of all existing underground utilities.
- E. Obtain all permits, as applicable, from all regulatory agencies.
- 3.2 DEMOLITION REQUIREMENTS**
- A. Conduct demolition to minimize interference with adjacent structures and public right-of-way.
- B. Cease operations immediately if adjacent structures appear to be in danger. Notify Engineer and Owner immediately. Do not resume operations until directed.
- C. Conduct operations with minimum interference to public or private accesses.
- D. Obtain written permission from adjacent property owners when demolition equipment will traverse, infringe upon or limit access to their property.
- E. Sprinkle work with water to minimize dust. Provide hoses and water connections for this purpose.
- 3.3 DEMOLITION**
- A. Remove all existing structures within the limits of new site construction, including all walls, railings, etc.
- B. All existing wells, septic systems, sewer treatment plants, etc., must be abandoned, capped, sealed, filled, and/or closed as required by the DEQ and all other city, county, state, or federal regulatory agencies.
- C. All site utilities conflicting with new site construction or not to be used in this project shall be capped off and removed. All other utilities not used in this project shall be abandoned in-place.
- D. Where pavement and/or curb to be removed abuts existing pavement and/or curb to remain, a neat, straight, full-depth saw cut shall be made with a concrete saw.
- E. Remove all demolished materials from site. Do not burn or bury materials on site. Contractor shall leave site in clean condition.
- F. Backfill all excavation and trenches to match surrounding grades. Compact to 95% of ASTM D698.
- G. Remove existing light pole and sign pole foundations a minimum of 2 feet below finished grade.

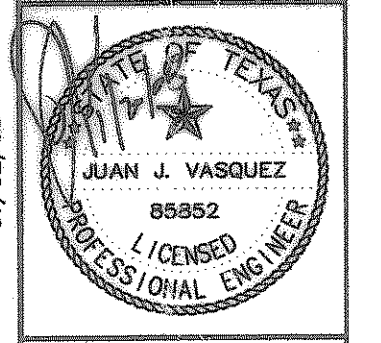
**CONSTRUCTION RECORDS**  
DATE: 11/2/08 BY: J.J.V.  
THIS DRAWING INDICATES THE WORK COMPLETED PER INFORMATION SUPPLIED BY THE CONTRACTOR. ACTUAL ON THE GROUND SURVEY VERIFICATION WAS NOT PERFORMED EXCEPT AS SPECIALLY NOTED. ALL LOT AND RIGHT-OF-WAY CORNERS HAVE BEEN MARKED WITH TOWNSEND MARKERS.

**CAUTION**  
CONTACT:  
ATMOS: DINAH WOOD 972-485-8267  
TXU: JOE PECINA 972-771-3879  
AT&T: CAROLYN ANDERSON 903-457-2082  
TEXAS ONE STOP 1-800-245-4545  
48 HOURS PRIOR TO CONSTRUCTION

**NOTE:**  
Contractor shall verify service of all existing utility lines and taps prior to demolition or removal so as to not put any citizen out of service.

RECORD PLAN	J.J.V.
11/20/08	REMOVED TREES TO BE REMOVED
5/27/08	J.J.V.
NO.	DATE
	NOTE:

**TOWDEN ENGINEERING, L.L.P.**  
12655 N. Central Expressway, Suite 1016  
Dallas, Texas 75243  
Ph: 972.386.6446 Fax: 972.386.6409  
mail@tomden.com



**Mays & Company**  
Real Estate Development  
Licensed Professional Engineer  
JUAN J. VASQUEZ, P.E. 85552  
Phone: (972) 268-3333 Fax: (972) 268-3333

**DEMOLITION PLAN**  
FIRESTONE  
LOT 1, BLOCK A  
DERRICK ADDITION  
ROCKWALL, TEXAS

Scale: 1" = 20'  
Designed by: J.J.V.  
Drawn by: J.J.M.  
Checked by: J.J.V.  
S: LP 2007/268-33/View/01000D50  
02/01/08