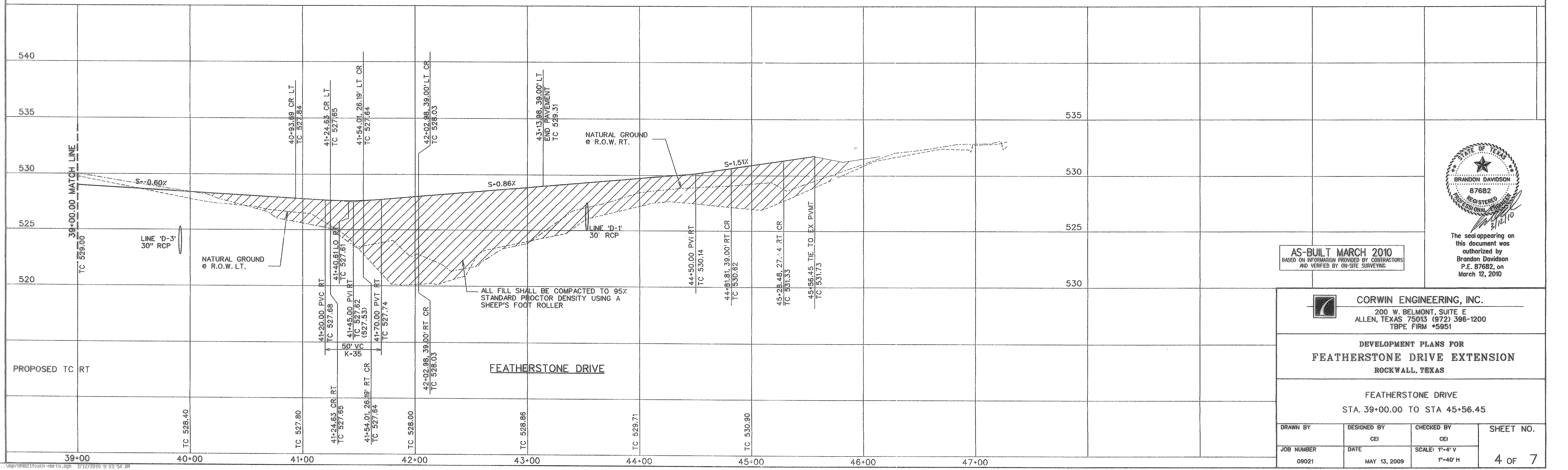
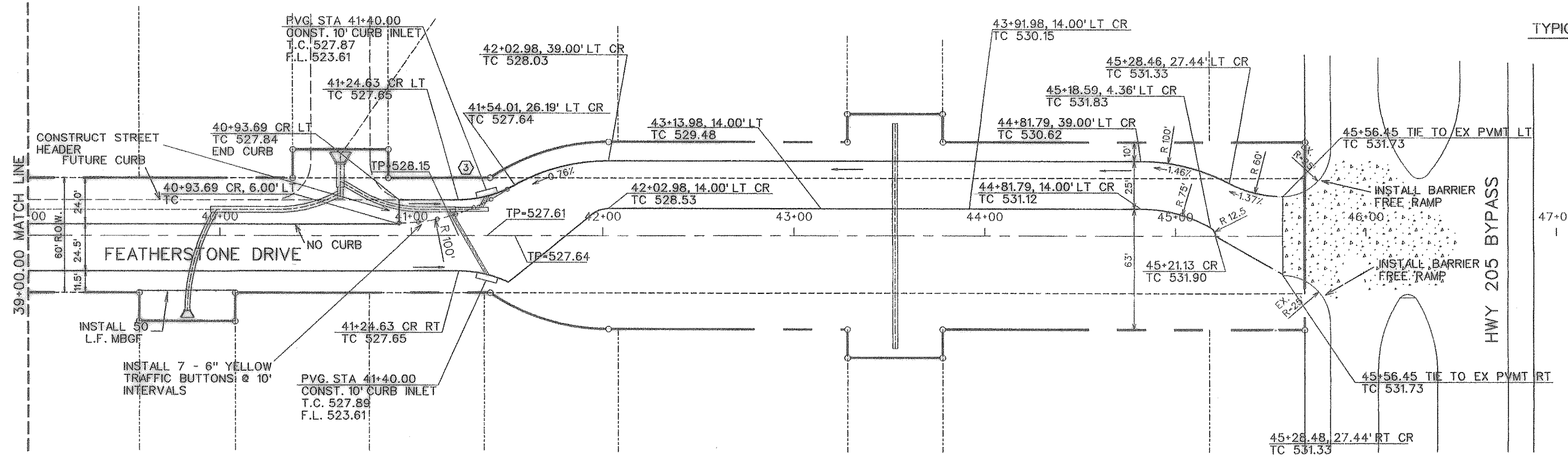
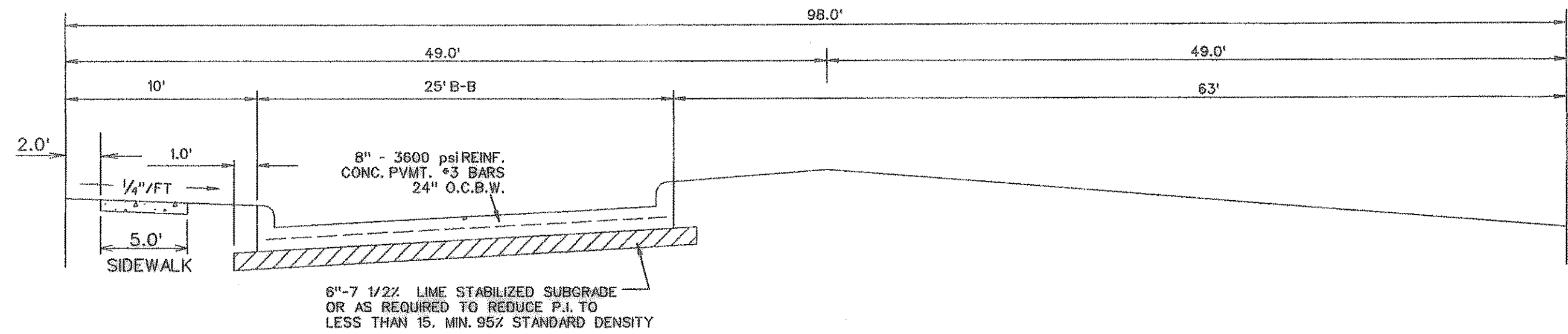


SCALE: 1" = 40'



The seal appearing on this document was authorized by Brandon Davidson P.E. 87682, on March 12, 2010

AS-BUILT MARCH 2010
BASED ON INFORMATION PROVIDED BY CONTRACTORS AND VERIFIED BY ON-SITE SURVEYING

CORWIN ENGINEERING, INC.
200 W. BELMONT, SUITE E
ALLEN, TEXAS 75013 (972) 396-1200
TBP FIRM #5951

DEVELOPMENT PLANS FOR
FEATHERSTONE DRIVE EXTENSION
ROCKWALL, TEXAS

FEATHERSTONE DRIVE
STA. 39+00.00 TO STA 45+56.45

DRAWN BY	DESIGNED BY	CHECKED BY	SHEET NO.
	CEI	CEI	
JOB NUMBER	DATE	SCALE: 1"=4' V 1"=40' H	4 OF 7
09021	MAY 13, 2009		