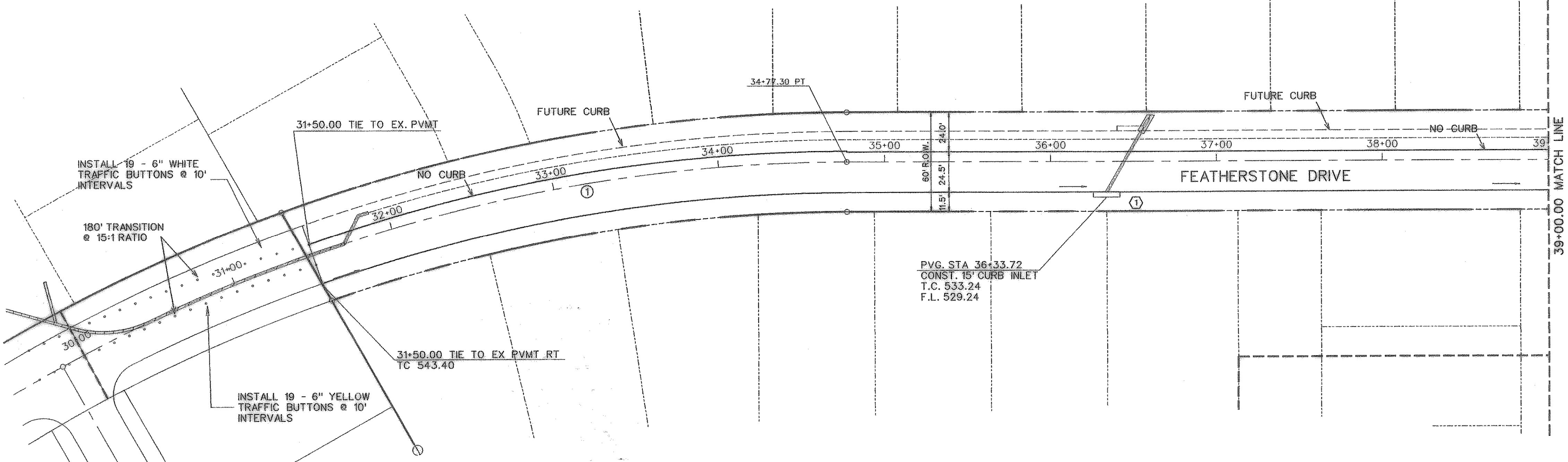
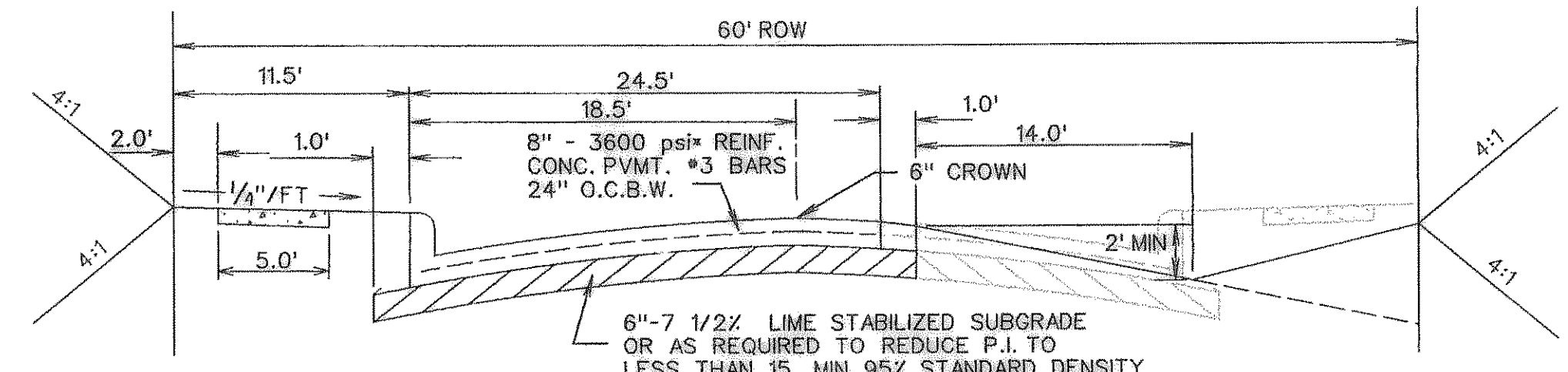


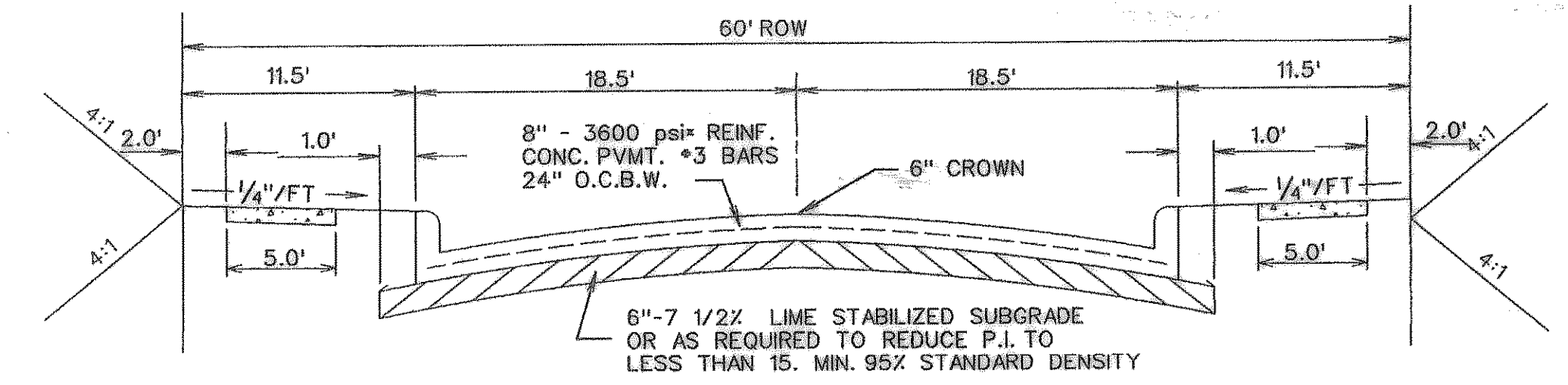
0 20 40 80
SCALE: 1" = 40'



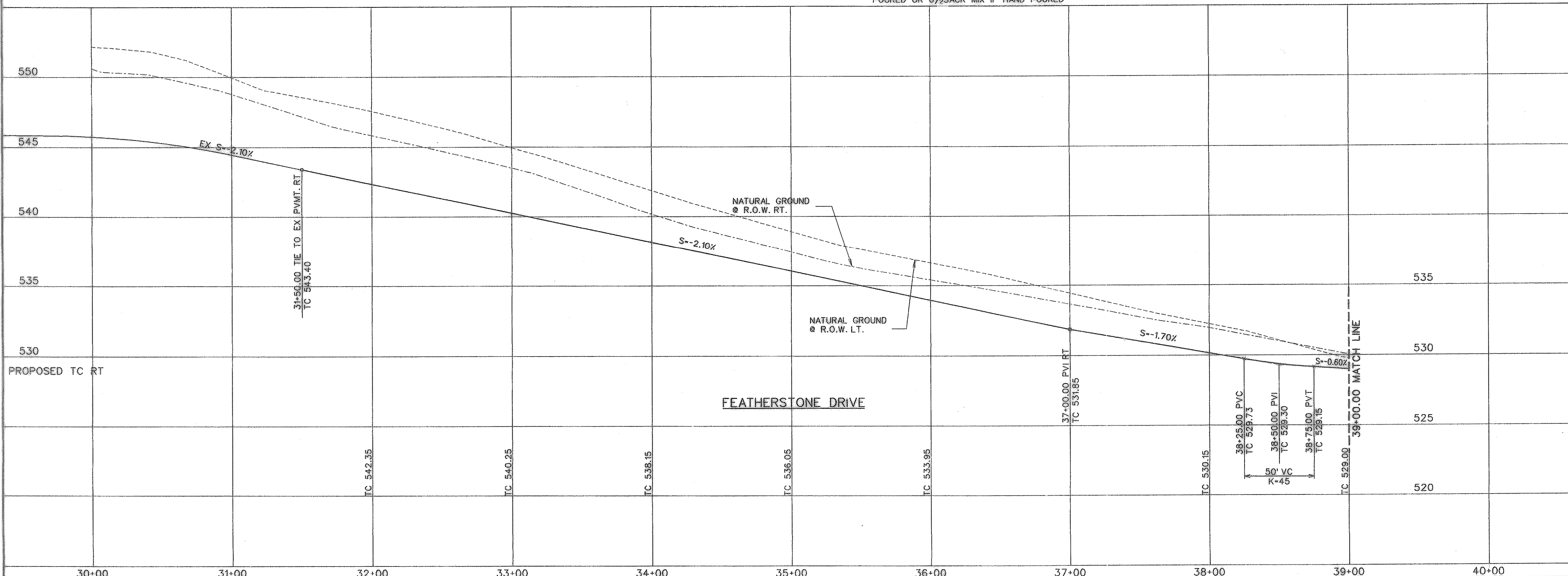
CURVE DATA	
CURVE NO.	①
Δ	19° 20' 32"
R	970.00'
T	165.30'
L	327.45'



PHASE 1 TYPICAL PAVEMENT SECTION 25'
(FUTURE 37' B-B)
STATION 31+50 - 41+24
N.T.S.
*CONCRETE SHALL BE A 6 SACK MIX IF MACHINE
POURED OR 6 1/2 SACK MIX IF HAND POURED



ULTIMATE PAVEMENT SECTION - 37' B-B
STATION 31+50 - 41+24
N.T.S.
*CONCRETE SHALL BE A 6 SACK MIX IF MACHINE
POURED OR 6 1/2 SACK MIX IF HAND POURED



The seal appearing on this document was authorized by Brandon Davidson P.E. 87682, on March 12, 2010

AS-BUILT MARCH 2010
BASED ON INFORMATION PROVIDED BY CONTRACTORS AND VERIFIED BY ON-SITE SURVEYING

CORWIN ENGINEERING, INC.
200 W. BELMONT, SUITE E
ALLEN, TEXAS 75013 (972) 396-1200
TBE FIRM #5951

DEVELOPMENT PLANS FOR
FEATHERSTONE DRIVE EXTENSION
ROCKWALL, TEXAS

FEATHERSTONE DRIVE
STA. 31+50.00 TO 39+00.00

DRAWN BY	DESIGNED BY	CHECKED BY	SHEET NO.
	CEI	CEI	
JOB NUMBER	DATE	SCALE: 1"=4' V 1"=40' H	3 OF 7
09021	MAY 13, 2009		