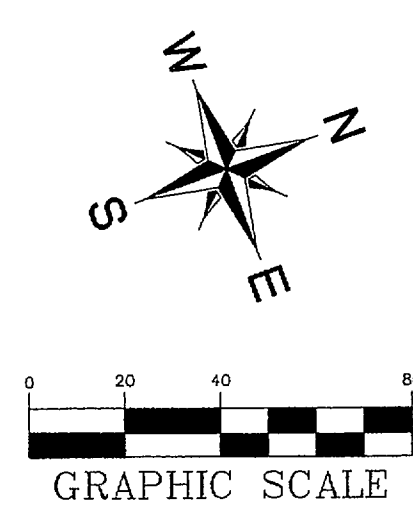


PAVEMENT SECTION
NOT TO SCALE

LEGEND

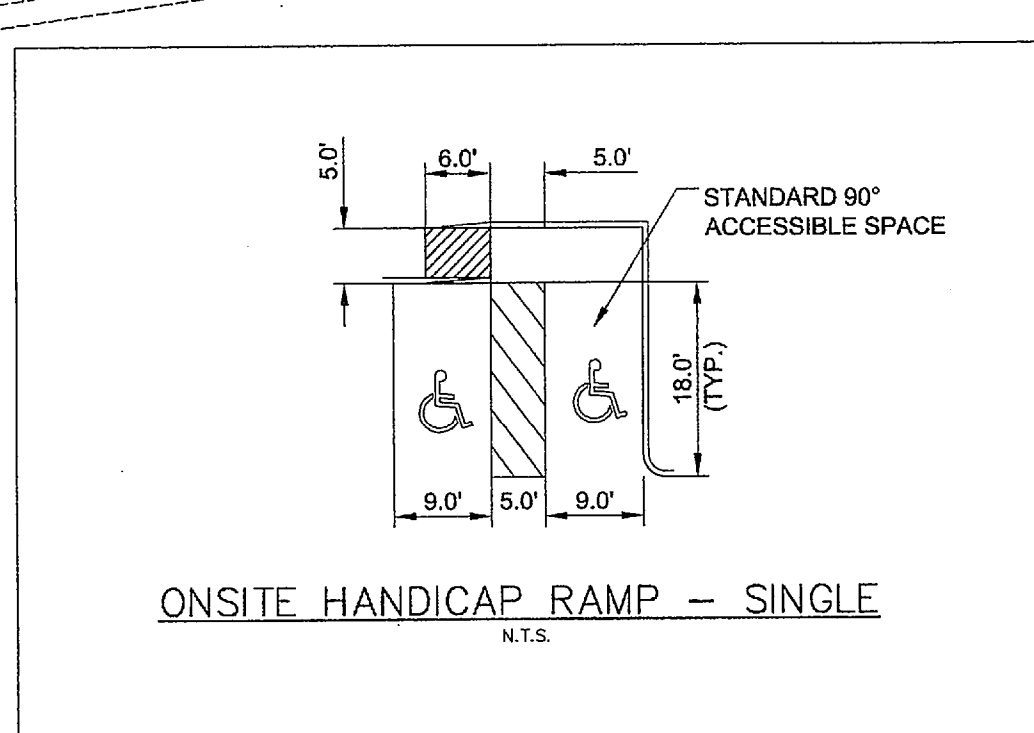
- DESIGNATES PROPOSED FIRELANE, REFERENCE GENERAL NOTES & CITY DETAILS FOR CONSTRUCTION OF 6" 3600 PSI CONCRETE (MIN 6 SACK FOR MACHINE PLACE AND MIN 6 1/2 SACK FOR HAND PLACE.)
- PROPOSED 6" PORTLAND CEMENT CONCRETE, MIN. 28 DAY COMPRESSIVE STRENGTH OF 3000 PSI, CLASS A, WITH #3 BARS ON 18" C.C.E.W. OVER 6" COMPACTED SUBGRADE (PARKING SPACES RECEIVING AUTOMOBILES AND LIGHT TRUCKS)
- PROPOSED 6" PORTLAND CEMENT CONCRETE, MIN. 28 DAY COMPRESSIVE STRENGTH OF 3600 PSI, CLASS C, WITH #3 BARS ON 18" C.C.E.W. OVER 6" COMPACTED SUBGRADE (MIN 6 SACK FOR MACHINE PLACE AND MIN 6 1/2 SACK FOR HAND PLACE.) (DRIVING LANES WITH MEDIUM TO LIGHT TRAFFIC AND FIRELANES)
- PROPOSED 7" PORTLAND CEMENT CONCRETE, MIN. 28 DAY COMPRESSIVE STRENGTH OF 3600 PSI, CLASS C, WITH #3 BARS ON 18" C.C.E.W. OVER 6" COMPACTED SUBGRADE (COMPACTOR AND DUMPSTER AREAS)
- PROPOSED SIDEWALK (CONCRETE SHALL BE MIN 3000 PSI)

ALL PROPOSED ON-SITE PAVEMENT SHALL COMPLY WITH THE GEOTECHNICAL ENGINEERING REPORT BY ALPHA TESTING, INC. PROJECT NO. 060907 DATED AUGUST 24, 2006 OR LATEST EDITION, AND THE CITY OF ROCKWALL REQUIREMENTS FOR FIRE LANES. IF IN CONFLICT, THE MORE RESTRICTIVE STANDARD SHALL APPLY.
* NO SAND UNDER PAVEMENT.



NOTE: EAVES OF PROPOSED GARAGES CANNOT ENCRACH INTO FIRELANE/UTILITY EASEMENT.

NOTE: PROPOSED COMMUNITY CENTER PORCH SLAB DESIGN TO BE PER STRUCTURAL ENGINEER'S PLANS



Kimley-Horn and Associates, Inc.
12700 Park Central Drive, Suite 1800
Dallas, Texas 75251
Tel. No. (972) 770-1900
Fax No. (972) 238-3920

EVERGREEN AT ROCKWALL

PAVING PLAN

AS SHOWN
Designed by: KHA
Drawn by: KHA
Checked by: KHA
Date: DECEMBER 2006
Project No. 063890013

RECORD DRAWING
THIS RECORD DRAWING HEREIN REFLECTS TO THE BEST OF THE DESIGN ENGINEER'S KNOWLEDGE, THE APPROXIMATE LOCATION OF THE CONSTRUCTED WORK USING INFORMATION AS PROVIDED BY THE CONTRACTORS AND SURVEYED GRADES.

SHEET
C-24