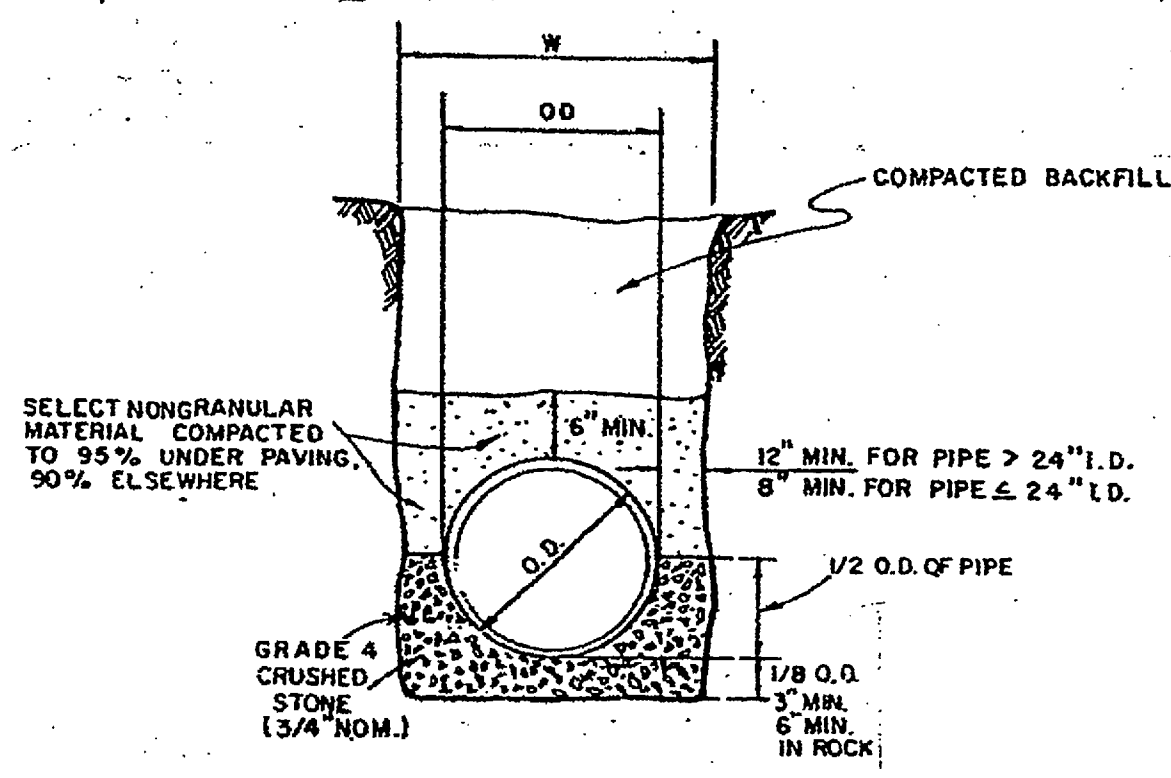
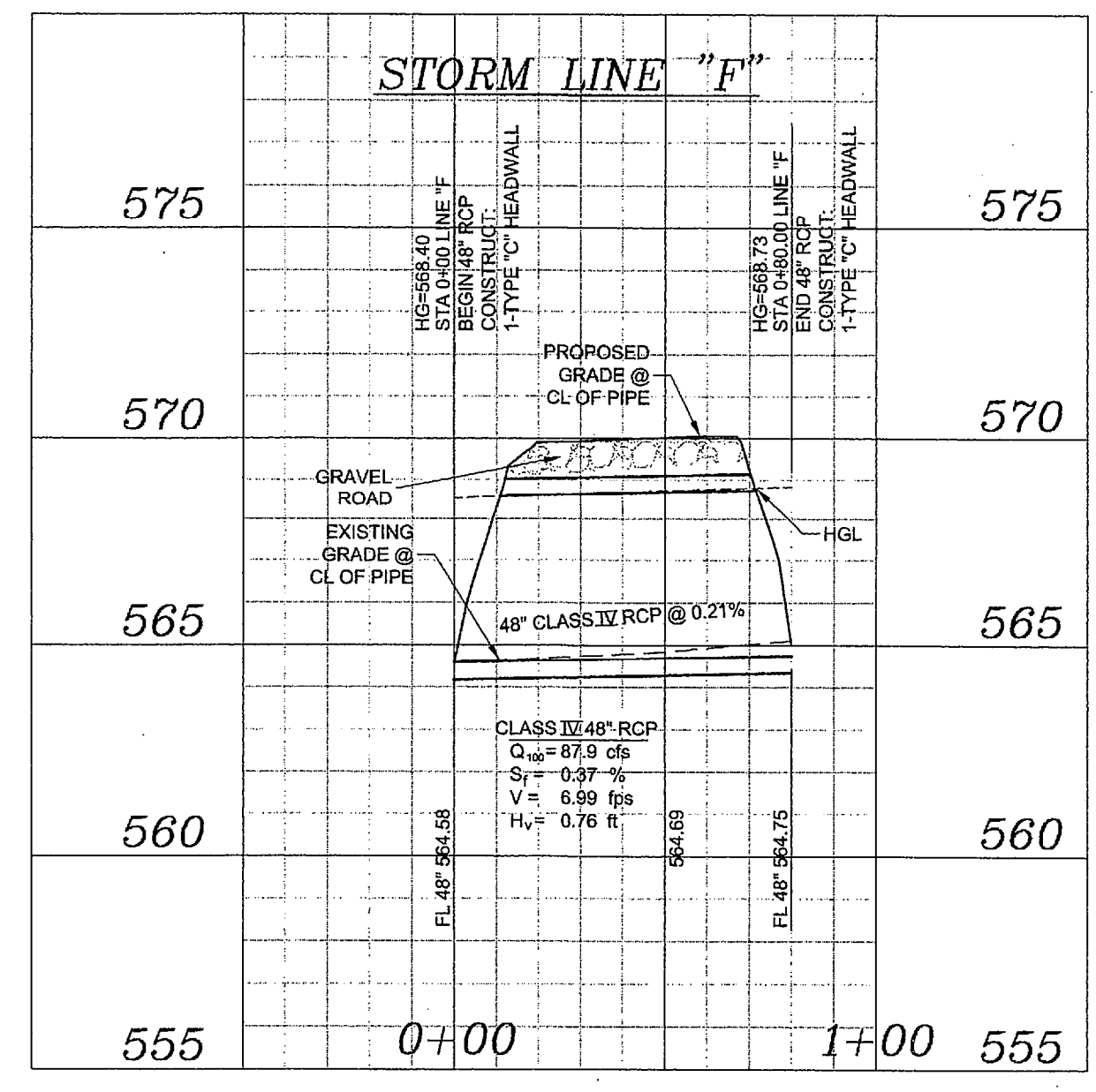
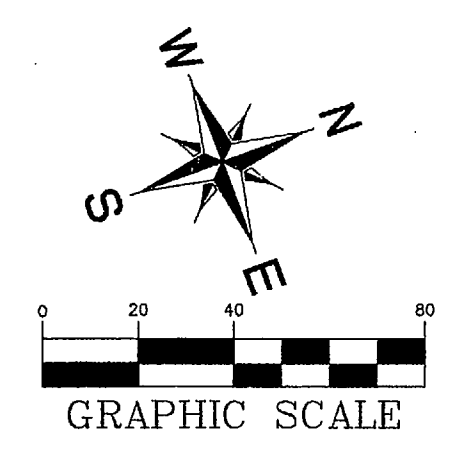


EVERGREEN AT ROCKWALL

STORM SEWER PLAN

Scale:	AS SHOWN
Designed by:	KHA
Drawn by:	KHA
Checked by:	KHA
Date:	DECEMBER 2006
Project No.:	063860013

RECORD DRAWING
 THIS RECORD DRAWING HEREIN REFLECTS TO THE BEST OF THE DESIGN ENGINEERS KNOWLEDGE, THE APPROXIMATE LOCATION OF THE CONSTRUCTED WORK, USING INFORMATION AS PROVIDED BY THE CONTRACTORS AND SURVEYED GRADES.



STORM SEWER PIPE BEDDING DETAIL
 DEPTH OF TRENCH BELOW PIPE:
 3" MIN. FOR 27" & SMALLER PIPE
 4" MIN. FOR 30" TO 60" PIPE
 6" MIN. FOR 66" & LARGER PIPE

