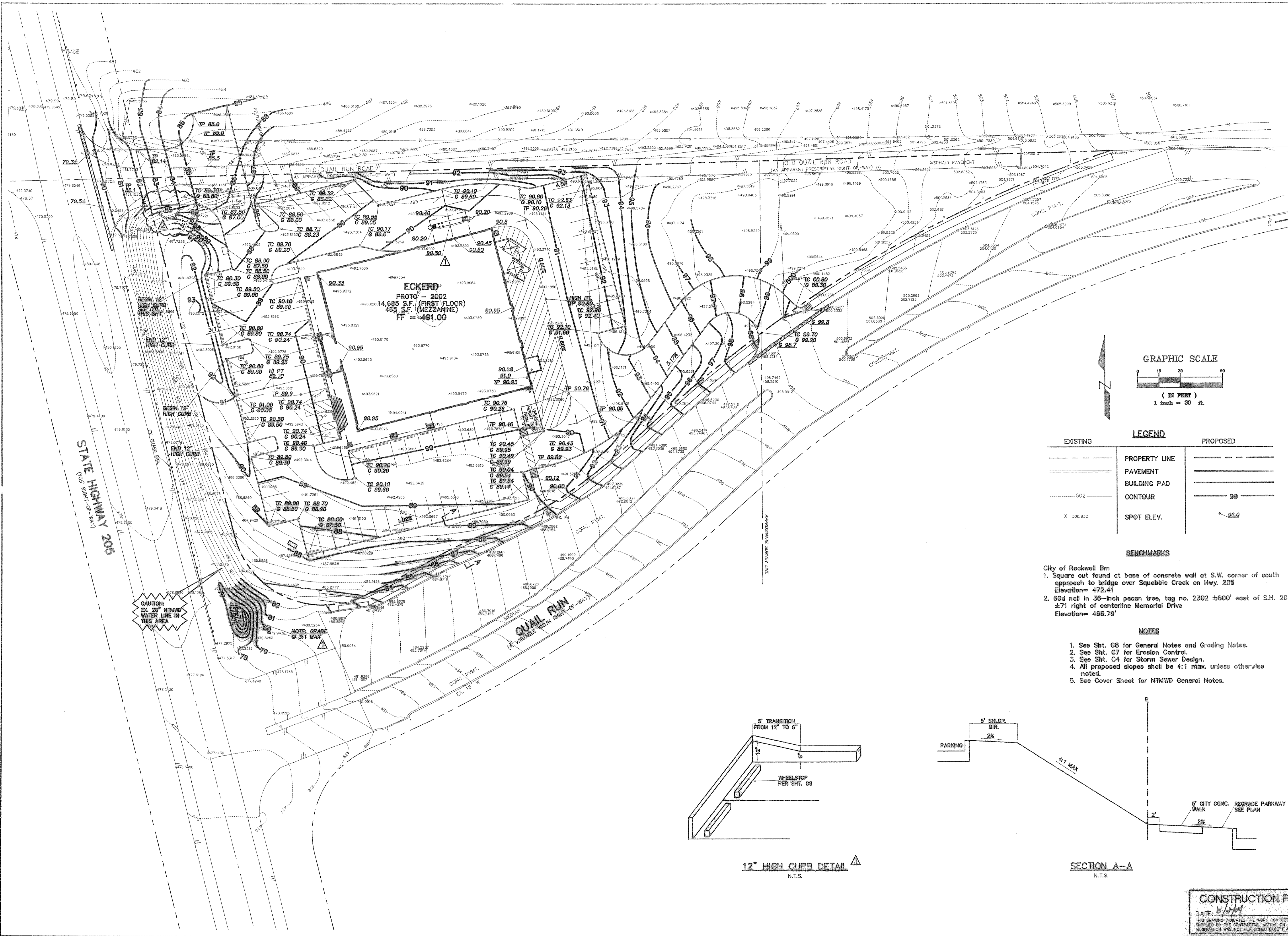


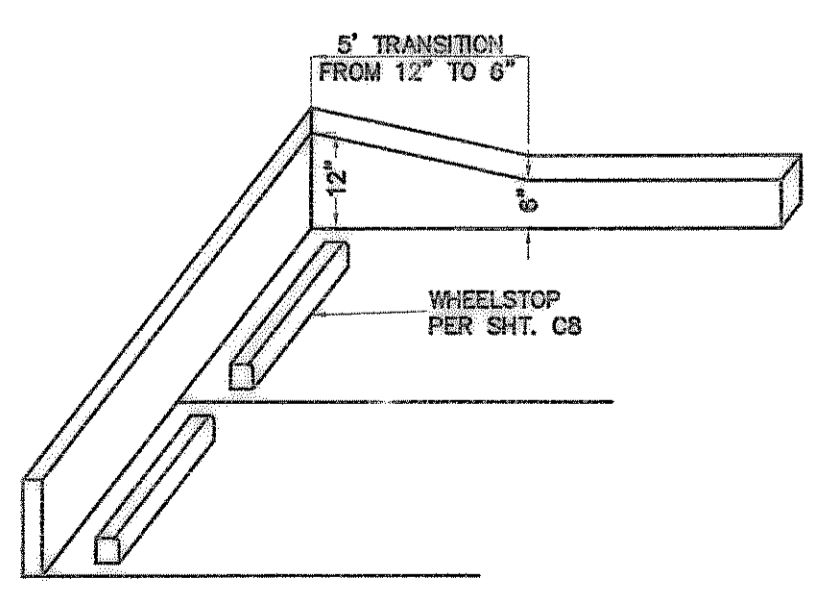
S:\Land Projects\2004\268-06.dwg\01003GRD.dwg 5/26/2004 5:20:52 PM CST



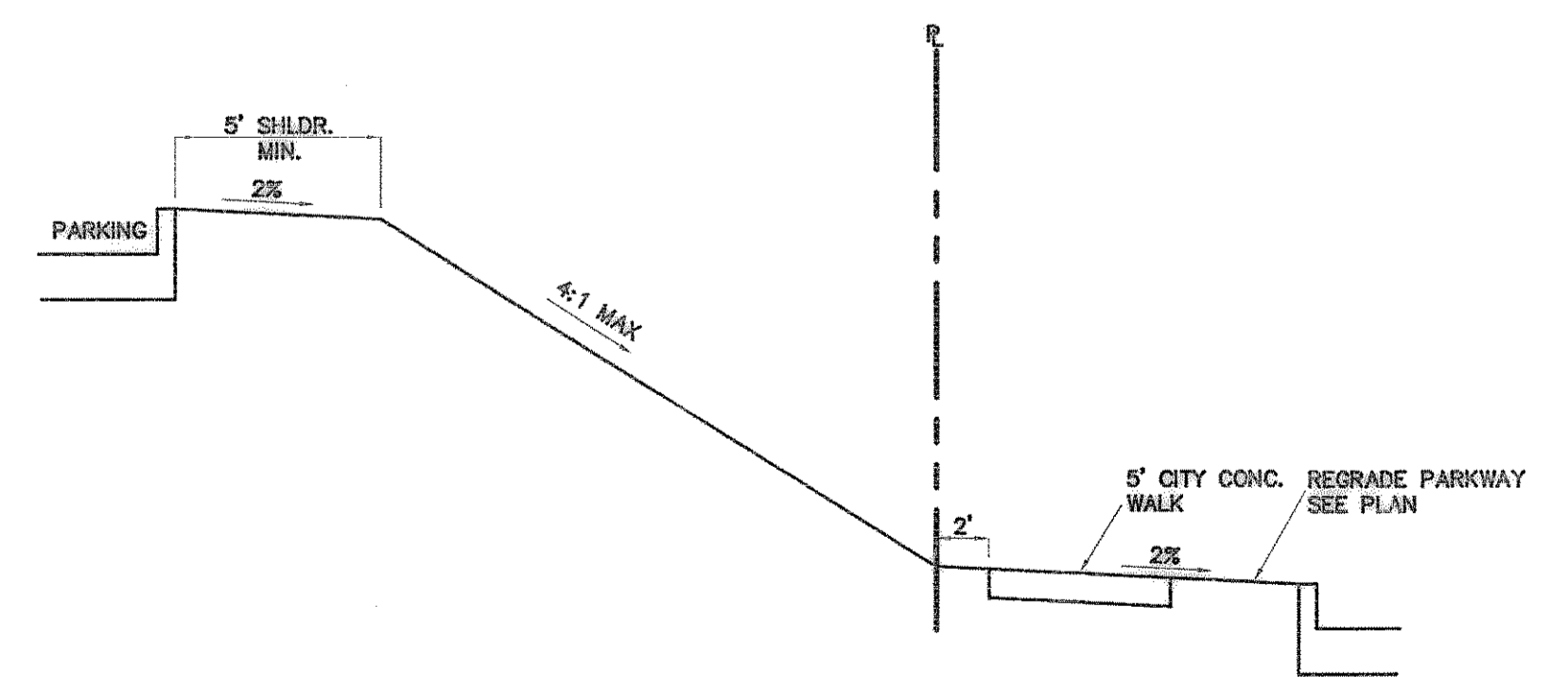
LEGEND	
EXISTING	PROPOSED
---	---
---	---
---	---
---	---
X 500.932	86.0

- BENCHMARKS**
- City of Rockwall Bm
 1. Square cut found at base of concrete wall at S.W. corner of south approach to bridge over Squabble Creek on Hwy. 205
 Elevation= 472.41
 2. 60d nail in 36-inch pecan tree, tag no. 2302 ±800' east of S.H. 205 ±.71 right of centerline Memorial Drive
 Elevation= 466.79'

- NOTES**
- See Sht. C8 for General Notes and Grading Notes.
 - See Sht. C7 for Erosion Control.
 - See Sht. C4 for Storm Sewer Design.
 - All proposed slopes shall be 4:1 max. unless otherwise noted.
 - See Cover Sheet for NTMWD General Notes.

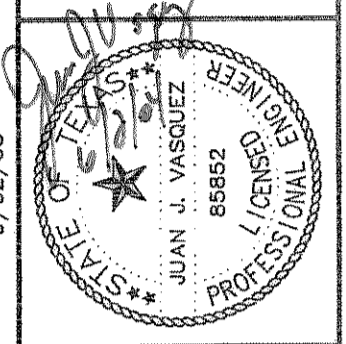


12" HIGH CURB DETAIL
N.T.S.



SECTION A-A
N.T.S.

5/27/04	CONSTRUCTION RECORD	J.J.V.
11/16/03	CONSTRUCTION SET	J.J.V.
No.	Date	Revisions
		App.



ECKERD - ROCKWALL, TEXAS

ARCHITECT: GENESIS DESIGN GROUP, INC.
 2080 N. HIGHWAY 380, STE. 200
 GRAND PRAIRIE, TX. 75050

OWNER: MAYS & COMPANY
 5949 SHERRY LANE, # 1570
 DALLAS, TX. 75225

GRADING PLAN

Scale: 1" = 30'
 Designed by: J.J.V.
 Drawn by: R.W.A./J.K.A.
 Checked by: T.P.J.
 /awg/268-06/01003GRD.dwg
 Date: 05/26/04 17:20

CONSTRUCTION RECORDS
 DATE: 6/1/04 BY: J.J.V.
 THIS DRAWING INDICATES THE WORK COMPLETED PER INFORMATION SUPPLIED BY THE CONTRACTOR. ACTUAL ON-THE-GROUND SURVEY VERIFICATION WAS NOT PERFORMED EXCEPT AS SPECIFICALLY NOTED.

SHEET
C3
 OF
8

TOMDEN ENGINEERING
 12655 N. CENTRAL EXPWY. SUITE 1016
 DALLAS, TX. 75243
 972.396.6446 FAX 972.396.6409
 tomden@earthlink.net