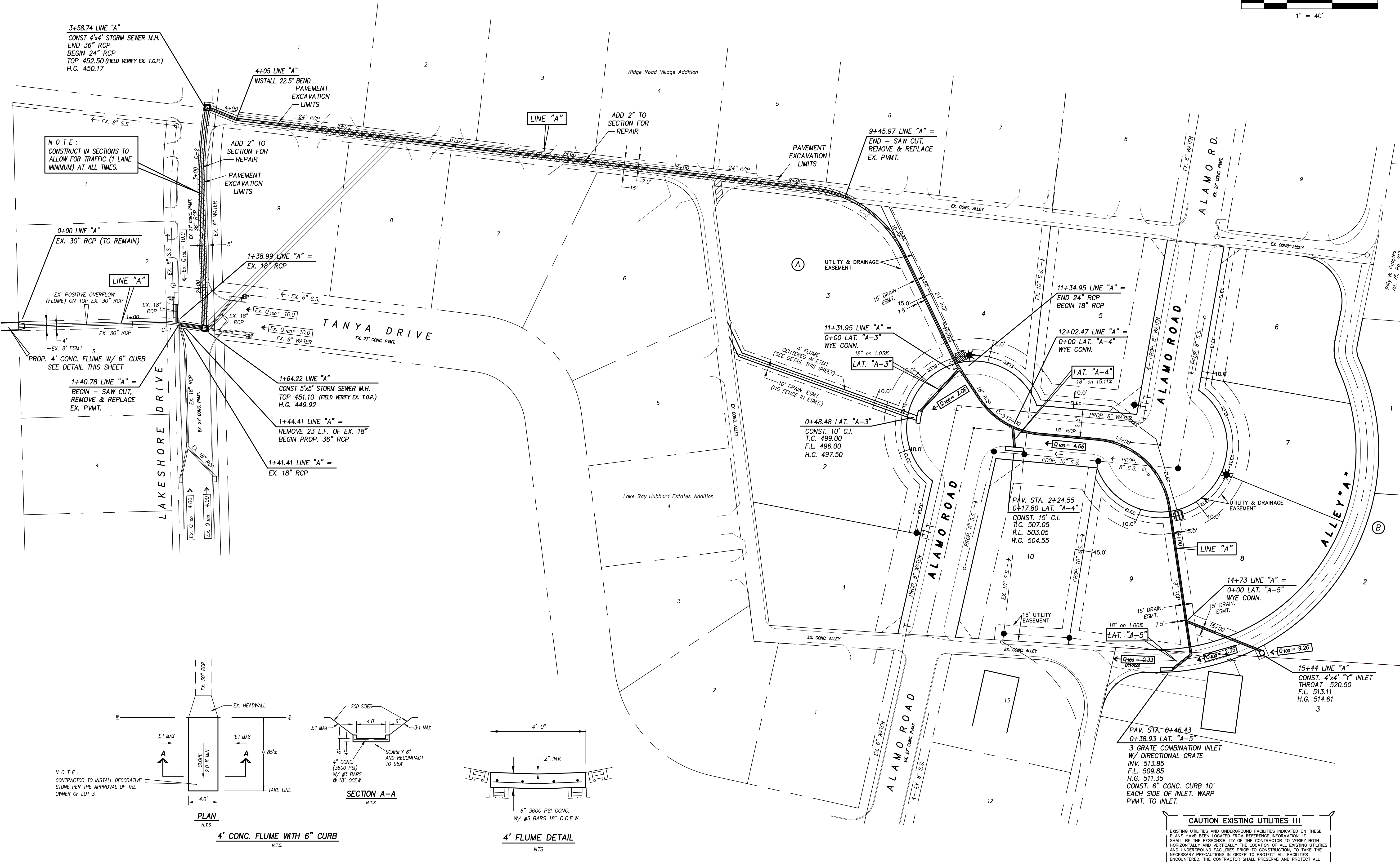
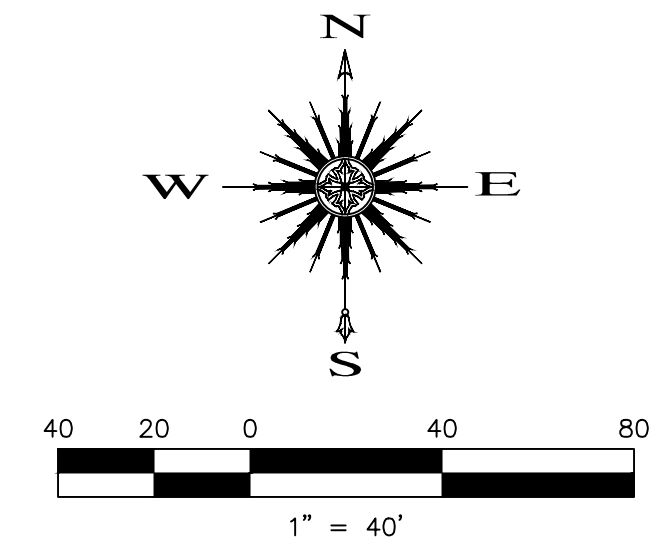


Revision	Date	Description
1	8/2/13	STORM LINE REVISION
4	8/22/13	PAVING & STORM LINE REVISION

CURVE DATA							
CURVE	RADIUS	DELTA	TANGENT	LENGTH	CHORD	BEARING	P.C. P.T.
C-1	70.00'	102°24'46"	6.36'	12.68'	12.66'	S 86°21'08" E	1+23.84 1+36.52
C-2	408.84'	09°42'34"	34.72'	69.28'	69.20'	N 03°18'46" E	2+81.28 3+50.56
C-3	100.00'	57°42'02"	55.09'	100.70'	96.50'	S 54°20'49" E	8+89.64 9+90.34
C-4	100.00'	08°11'45"	7.16'	14.30'	14.29'	N 29°35'41" W	10+90.61 11+04.91
C-5	70.00'	51°04'56"	33.45'	62.41'	60.36'	N 59°14'01" W	11+35.32 11+97.73
C-6	70.00'	76°23'42"	55.08'	93.33'	86.57'	S 46°34'36" E	12+50.02 13+43.33

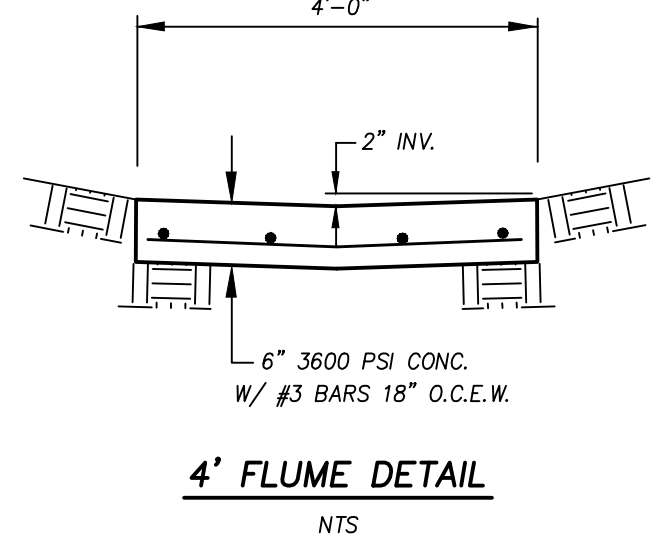
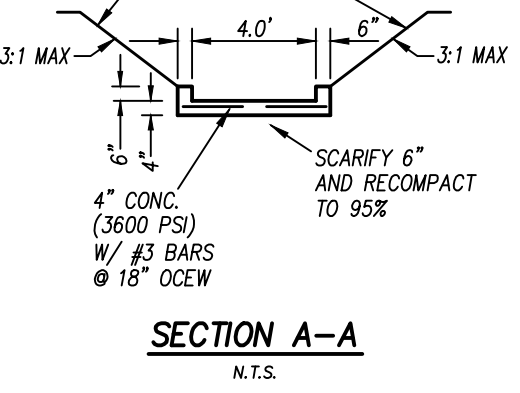
BENCHMARK
 SET "X" CUT IN CENTER OF CONCRETE MEDIAN IN FRONT OF HOUSE #1310 RIDGE ROAD, APPROXIMATELY 30.9' EAST OF WEST CURVE LINE AND 10' SOUTH OF MEDIAN NOSE.
ELEV=554.18



NOTE:
 CONSTRUCT IN SECTIONS TO ALLOW FOR TRAFFIC (1 LANE MINIMUM) AT ALL TIMES.

NOTE:
 PROP. 4\"/>

NOTE:
 CONTRACTOR TO INSTALL DECORATIVE STONE PER THE APPROVAL OF THE OWNER OF LOT 3.



CAUTION EXISTING UTILITIES !!!
 EXISTING UTILITIES AND UNDERGROUND FACILITIES INDICATED ON THESE PLANS HAVE BEEN LOCATED FROM REFERENCE INFORMATION. IT SHALL BE THE RESPONSIBILITY OF THE CONTRACTOR TO VERIFY BOTH HORIZONTALLY AND VERTICALLY THE LOCATION OF ALL EXISTING UTILITIES AND UNDERGROUND FACILITIES PRIOR TO CONSTRUCTION, TO TAKE THE NECESSARY PRECAUTIONS IN ORDER TO PROTECT ALL FACILITIES ENCOUNTERED. THE CONTRACTOR SHALL PRESERVE AND PROTECT ALL EXISTING UTILITIES FROM DAMAGE DURING CONSTRUCTION.

Owner:
Dan Bobst
 5133 F.M. 549 • Rockwall, Texas • 75032
 Phone: 214-553-5505

Eagle Point Estates
 Rockwall, Texas

~ Civil Engineer ~
F.C. CUNY CORPORATION
 #2 Horizon Court • Heath, Texas 75032 • (469) 402-7700
 Texas Registered Engineering Firm F-7449



Drawn By: F.C. CUNY	Checked By: F.C. CUNY
Date: 08/11	Project No.:
Sheet Title: Storm Sewer Plan	
Scale:	Sheet No.:
1" = 40'	8 of 12

Z:\Projects\5-Residential\Dan Bobst\AS BUILT\08-11\08-11-STORM SEWER PLAN.dwg