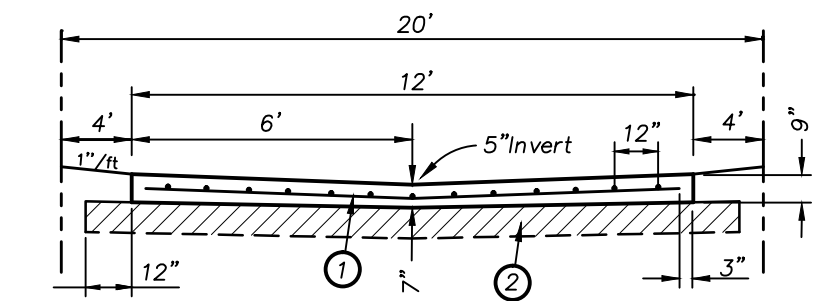


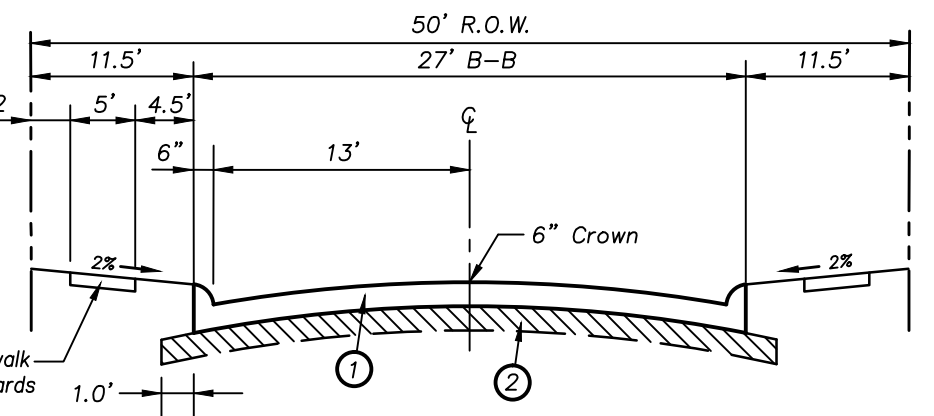
CURVE	RADIUS	DELTA	TANGENT	LENGTH	CHORD	BEARING	P.C.	P.T.
C-1	185.00'	116°42'15"	300.15'	376.82'	314.98'	S 33°50'34" W	3+02.32	4+56.91
C-2	30.00'	35°39'01"	9.65'	18.67'	18.37'	N 06°28'38" W	4+56.91	21+38.63

CAUTION EXISTING UTILITIES !!!
 EXISTING UTILITIES AND UNDERGROUND FACILITIES INDICATED ON THESE PLANS HAVE BEEN LOCATED FROM REFERENCE INFORMATION. IT SHALL BE THE RESPONSIBILITY OF THE CONTRACTOR TO VERIFY BOTH HORIZONTALLY AND VERTICALLY THE LOCATION OF ALL EXISTING UTILITIES AND UNDERGROUND FACILITIES PRIOR TO CONSTRUCTION. TO TAKE THE NECESSARY PRECAUTIONS IN ORDER TO PROTECT ALL FACILITIES ENCOUNTERED. THE CONTRACTOR SHALL PRESERVE AND PROTECT ALL EXISTING UTILITIES FROM DAMAGE DURING CONSTRUCTION.



TYPICAL ALLEY SECTION

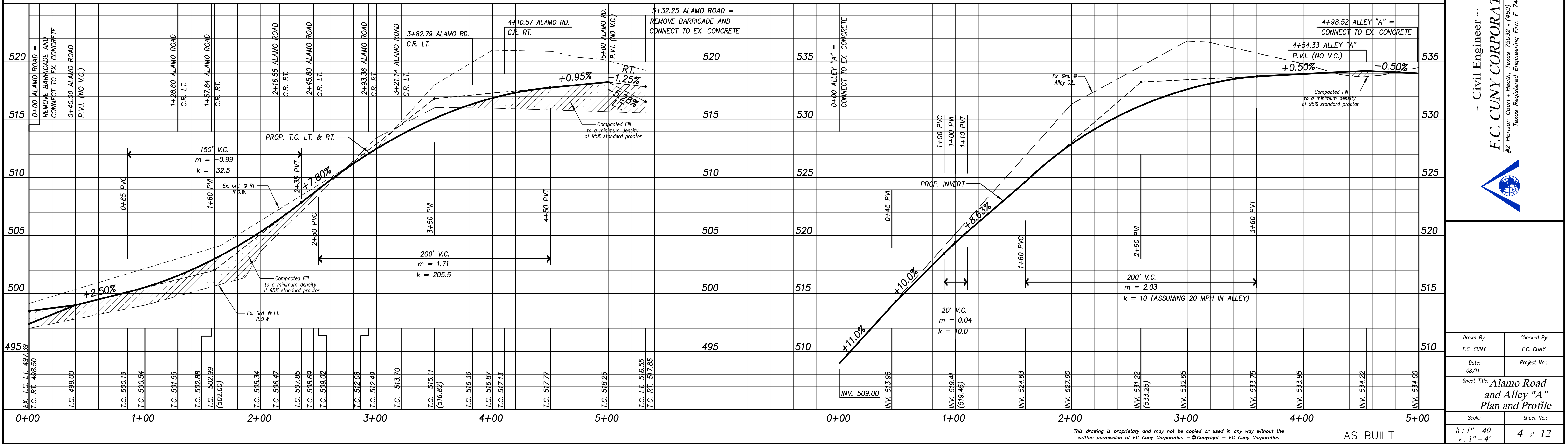
- 4000 PSI strength concrete in 28 days with a cement content of not less than 6 sacks per c.y. (6.5 sacks for hand placement) Pavement shall be reinforced with No. 3 bars at 12" centers both directions.
- 6" lime stabilization. The minimum lime content shall be 6% of the dry weight of the material (at least 27 lbs. per square yard). Subgrade shall be compacted to 95% standard density.



TYPICAL PAVING SECTION

- 6"-3600 PSI strength concrete in 28 days with a cement content of not less than 6 sacks per c.y. (6.5 sacks for hand placement) Pavement shall be reinforced with No. 3 bars at 24" centers both directions.
- 6" lime stabilization. The minimum lime content shall be 6% of the dry weight of the material (at least 27 lbs. per square yard). Subgrade shall be compacted to 95% standard density.

Note:
 1. All construction joints & rebar to be in conformance with the City of Rockwall Specifications and Standards.
 2. All intersections shall have laydown curbs to facilitate the construction of barrier free ramps.



Revision	Date	Description
4	8/22/13	PAVING & STORM LINE REVISION
5	9/10/13	SPOT GRADE ADDITION

Owner:
Dan Bobst
 5133 F.M. 549 • Rockwall, Texas • 75082
 Phone: 214-553-5505

Eagle Point Estates
 Rockwall, Texas

~ Civil Engineer ~
F.C. CUNY CORPORATION
 #2 Horizon Court • Heath, Texas 75032 • (469) 402-7700
 Texas Registered Engineering Firm F-7449

Drawn By: F.C. CUNY	Checked By: F.C. CUNY
Date: 08/11	Project No.:
Sheet Title: Alamo Road and Alley "A" Plan and Profile	
Scale:	Sheet No.:
h: 1" = 40' v: 1" = 4'	