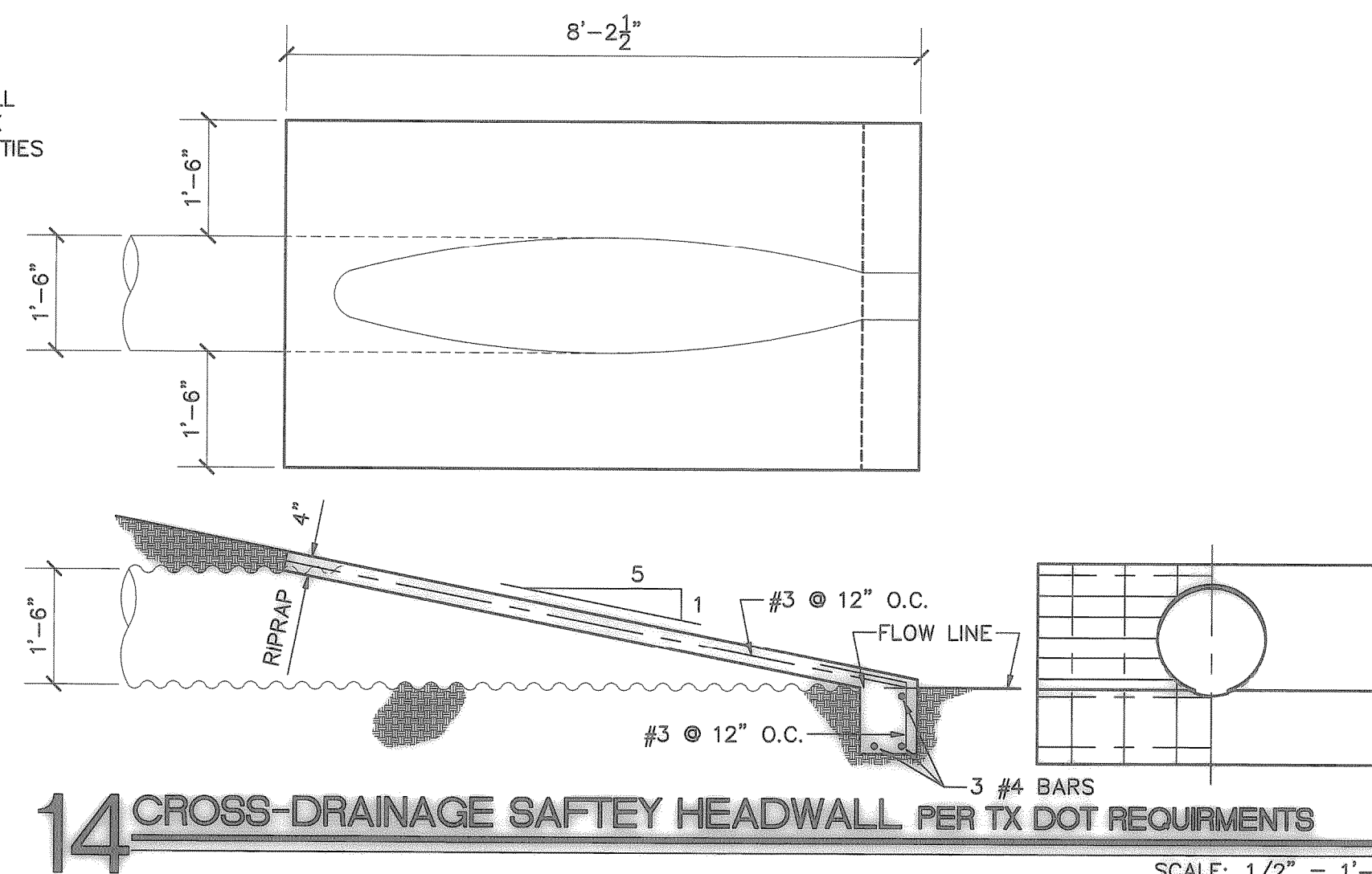
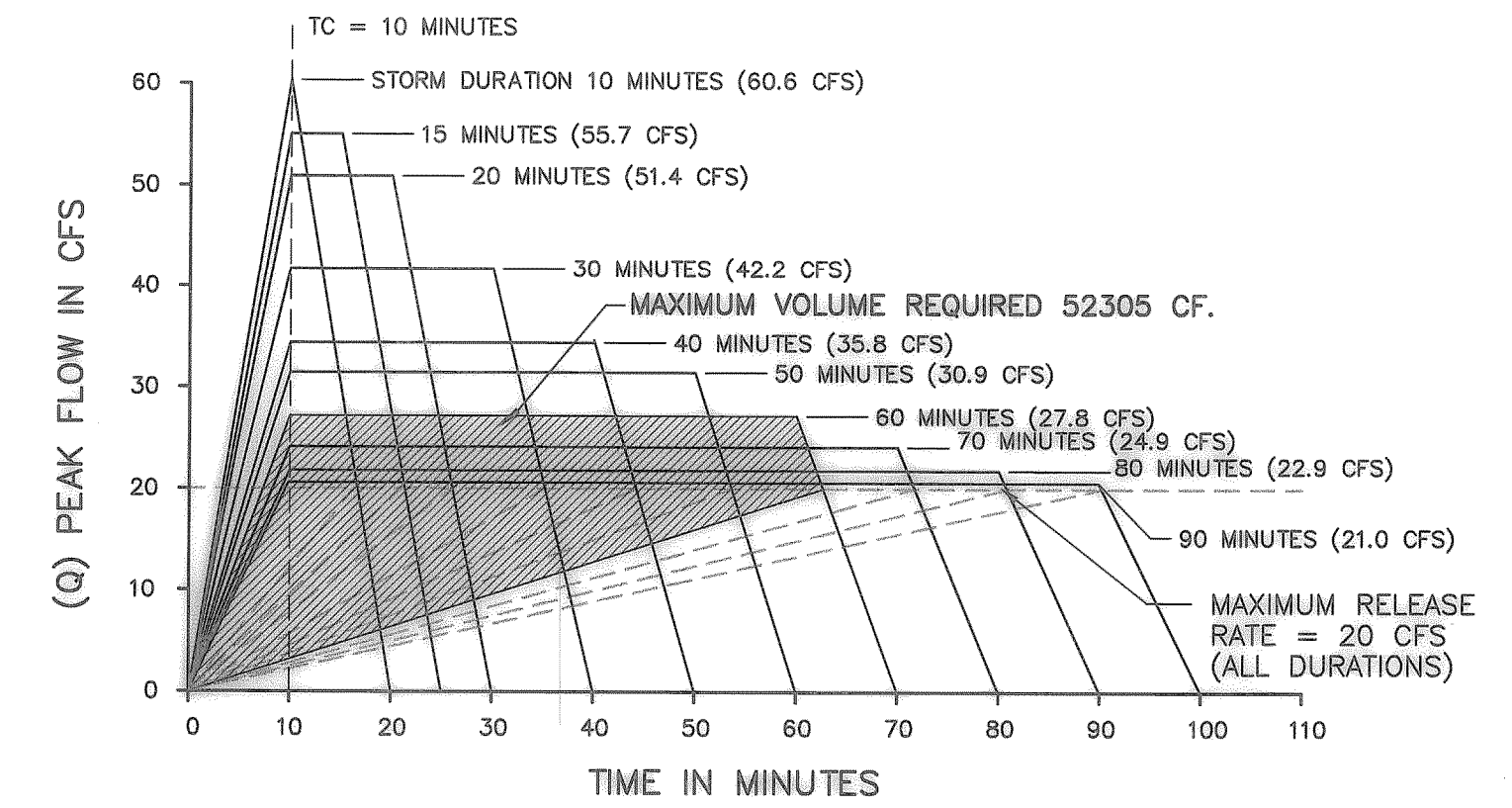


DETAIL STORM WATER DETENTION PLAN



14 CROSS-DRAINAGE SAFETY HEADWALL PER TX DOT REQUIREMENTS
SCALE: 1/2" = 1'-0"

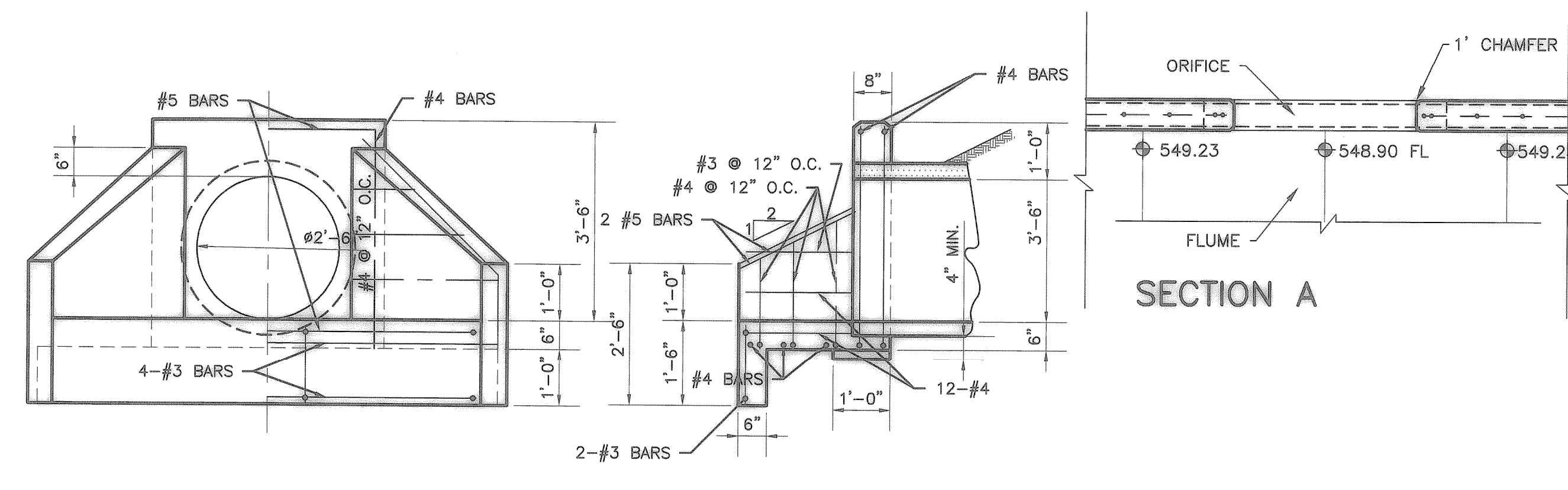


HYDROGRAPHS FOR 100-YEARS RAINFALL INTENSITIES

SCHEMATIC ONLY

COMPUTATION SHEET FOR DETERMINING CAPACITY OF DROP INLET

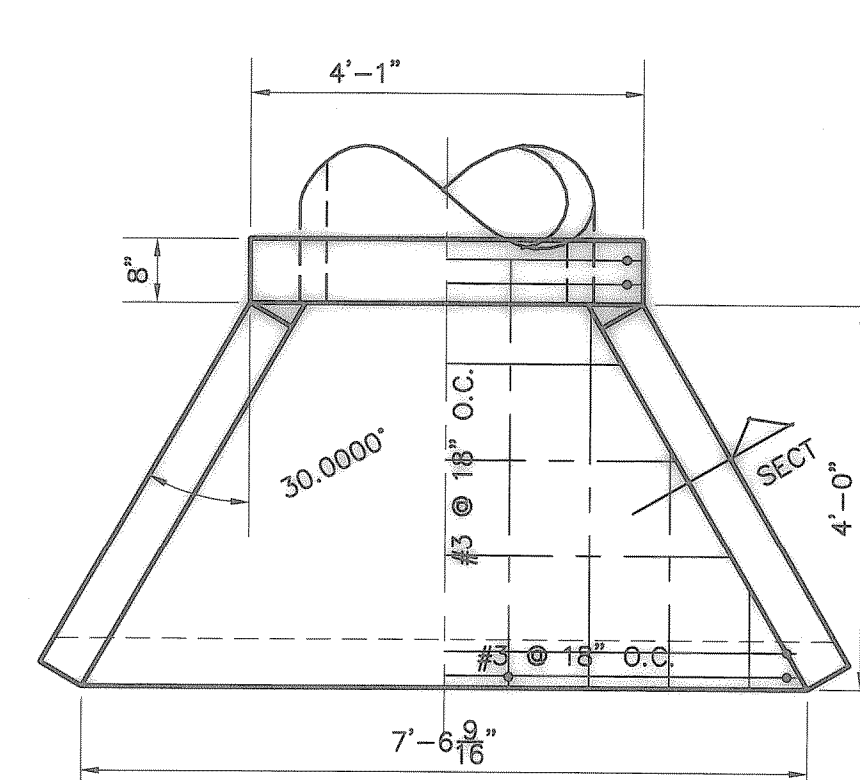
TYPE & NO.	STATION	D. A.	TOTAL FLOW Q ₀ (CFS)	Y ₀ FT	Q/L CFS/FT	OPENING LENGTH REQUIRED (FT)	OPENING LENGTH ACTUAL (FT)	INLET CAPACITY ACTUAL (CFS)	REMARKS
D1	LN-B	10.11	2.5	0.5	1.1	2	9	9.5	3-SIDED DROP INLET



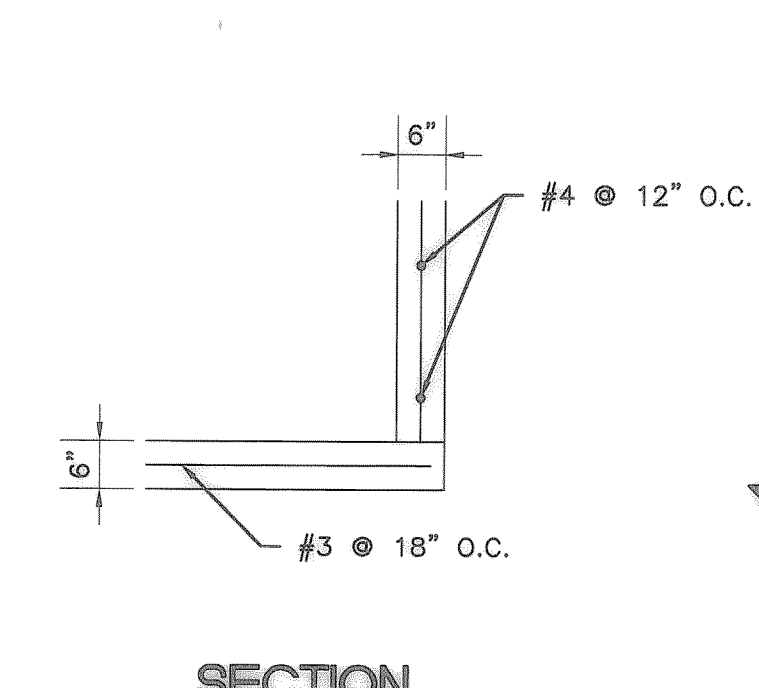
SECTION A

COMPUTATION SHEET FOR DETERMINING CAPACITY OF CURB OPENING INLET

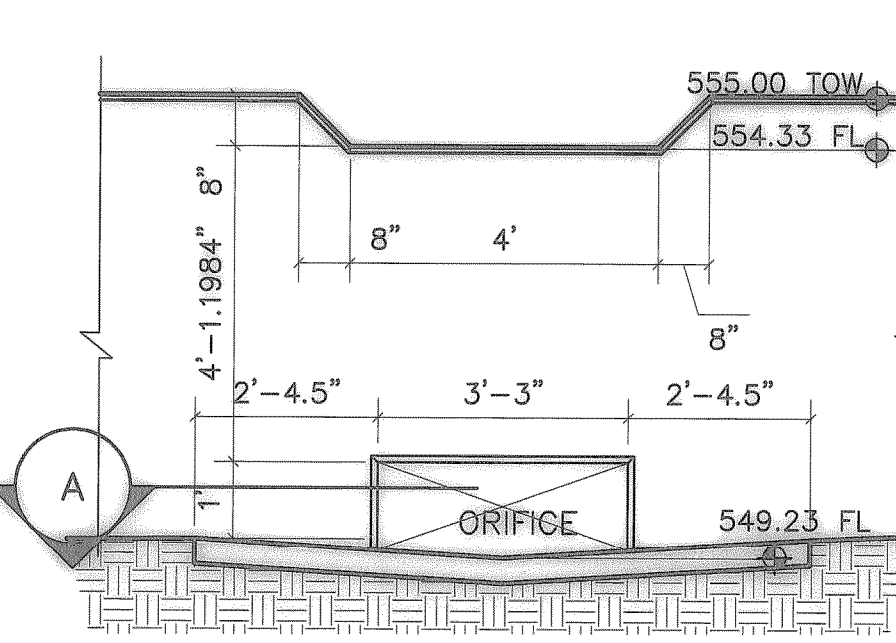
TYPE & NO.	STATION	D. A.	Q ₀ CFS	q CFS	Q ₀ CFS	Z	Z/N	S ₀ FT/FT	Y ₀ FT	POUNDED WIDTH CFS/FT	Q/L ₀ Q ₀ /(Q/L ₀)	L ₀ L	L/A ₀ L	Q/Q ₀ Q/Q ₀	Q ₀ Q ₀ /(Q/Q ₀)	q CFS	REMARKS	
C1	LN-B	3	10.1	0	10.1	N/A	N/A	N/A	0.5	N/A	1.15	9	10	1.1	100%	10.1	0	
C2	LN-A	2	12.9	0	12.9	N/A	N/A	N/A	0.5	N/A	1.15	11	10	0.9	100%	12.9	0	



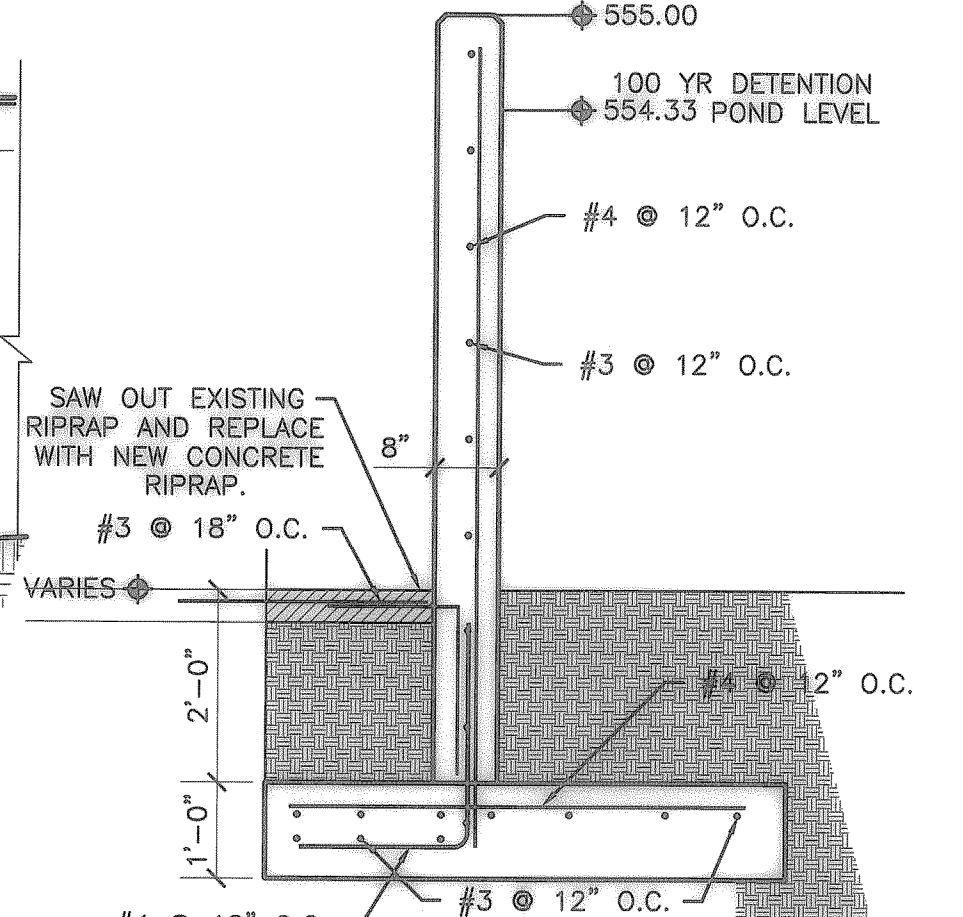
20 TYPE B HEADWALL PER CITY OF ROCKWALL DETAILS
NOT TO SCALE



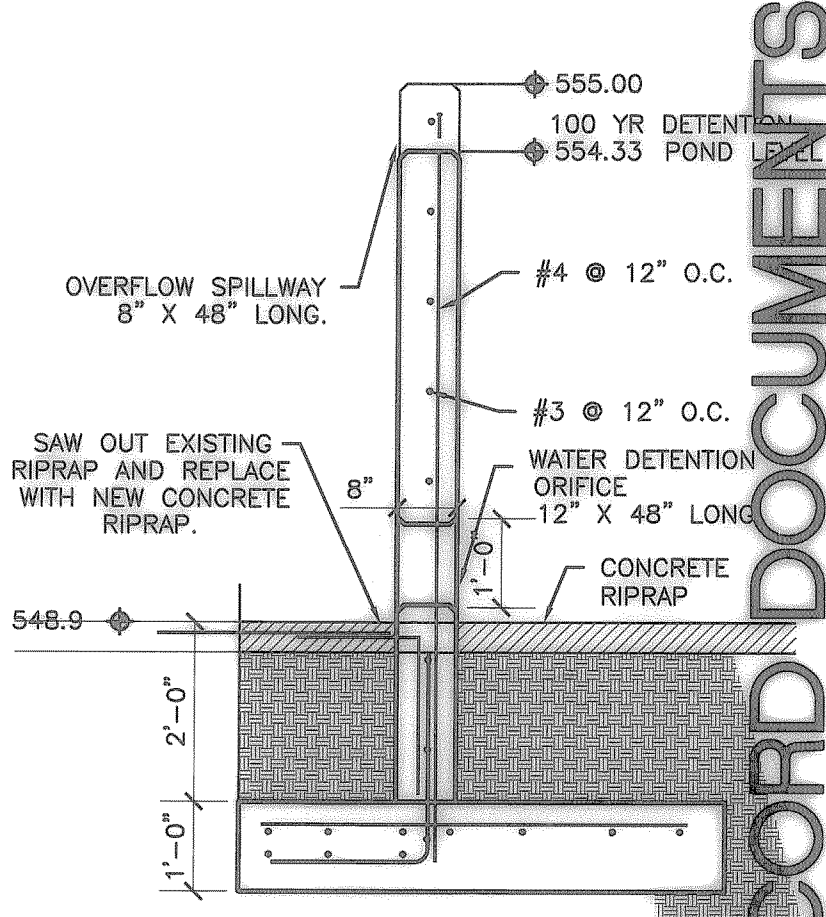
SECTION



12 ELEVATION/SECTION
SCALE: 3/8" = 1'-0"



8 SECTION
SCALE: 1/2" = 1'-0"



4 SECTION
SCALE: 1/2" = 1'-0"



ALLEN ASSOCIATES CONSULTING ENGINEERS
2025 W. 11th ST. LUBBOCK, TX 79401
PHYSICAL (940) 790-0101
ELECTRONIC (940) 790-0101

Architectural Resources

PROPOSED DODGE CAR DEALERSHIP

PROJECT NO. P99-
DATE: 03/03/00
REVISIONS:
DATE: 1/08/00
RECORD DOCUMENTS 12/17/01

SHEET NO. 81

RECORD DOCUMENTS

R:\project\get\ENGINEERING\REVISED\11.DWG - Mon, Dec 17 16:22:43 2001 ST11109-11