

ALLEN ASSOCIATES  
CONSULTING ENGINEERS  
2805 74TH ST., LUBBOCK, TX 79424  
ELECTRICAL MECHANICAL (M) 140145

Architectural Resources

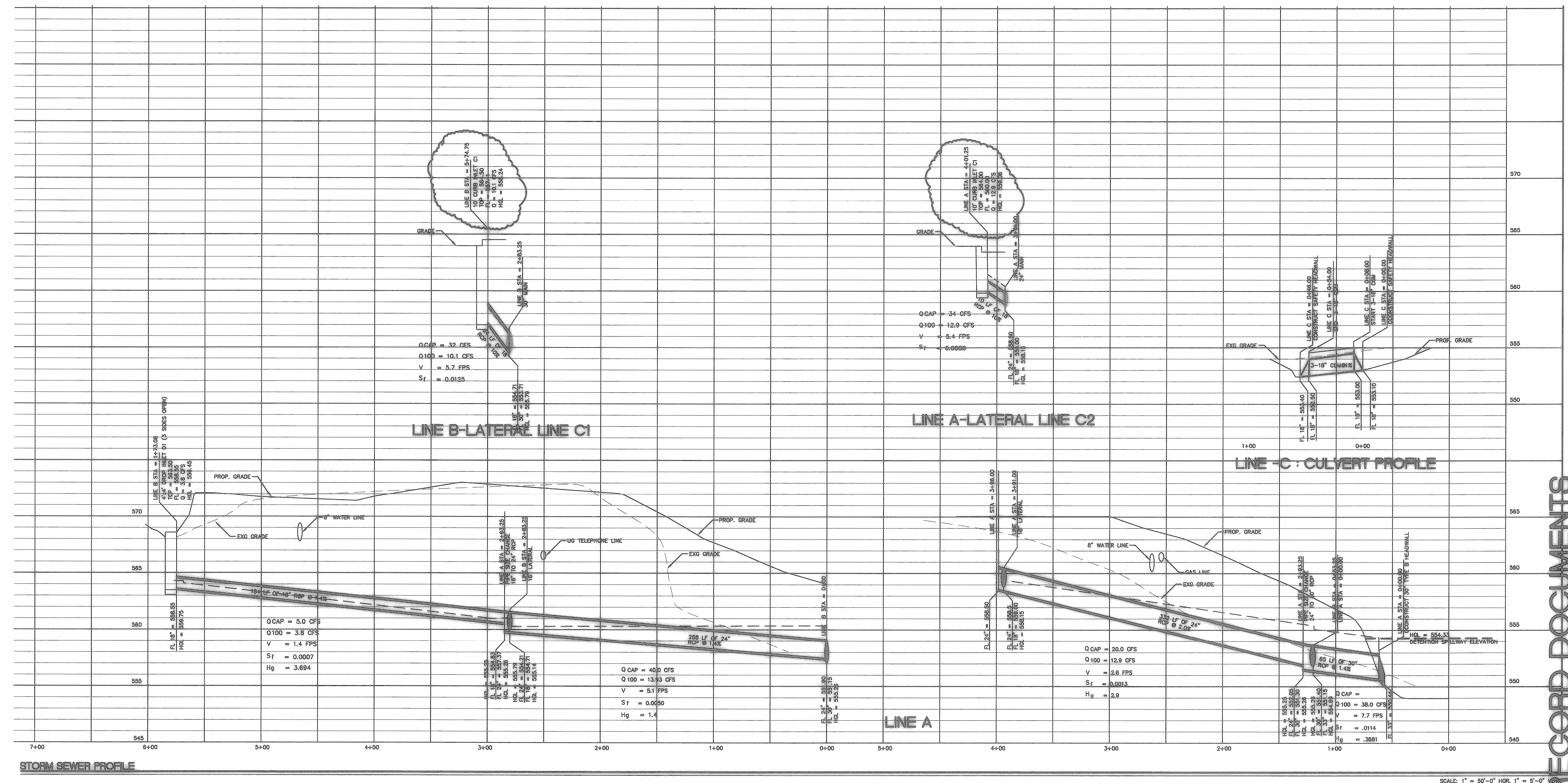
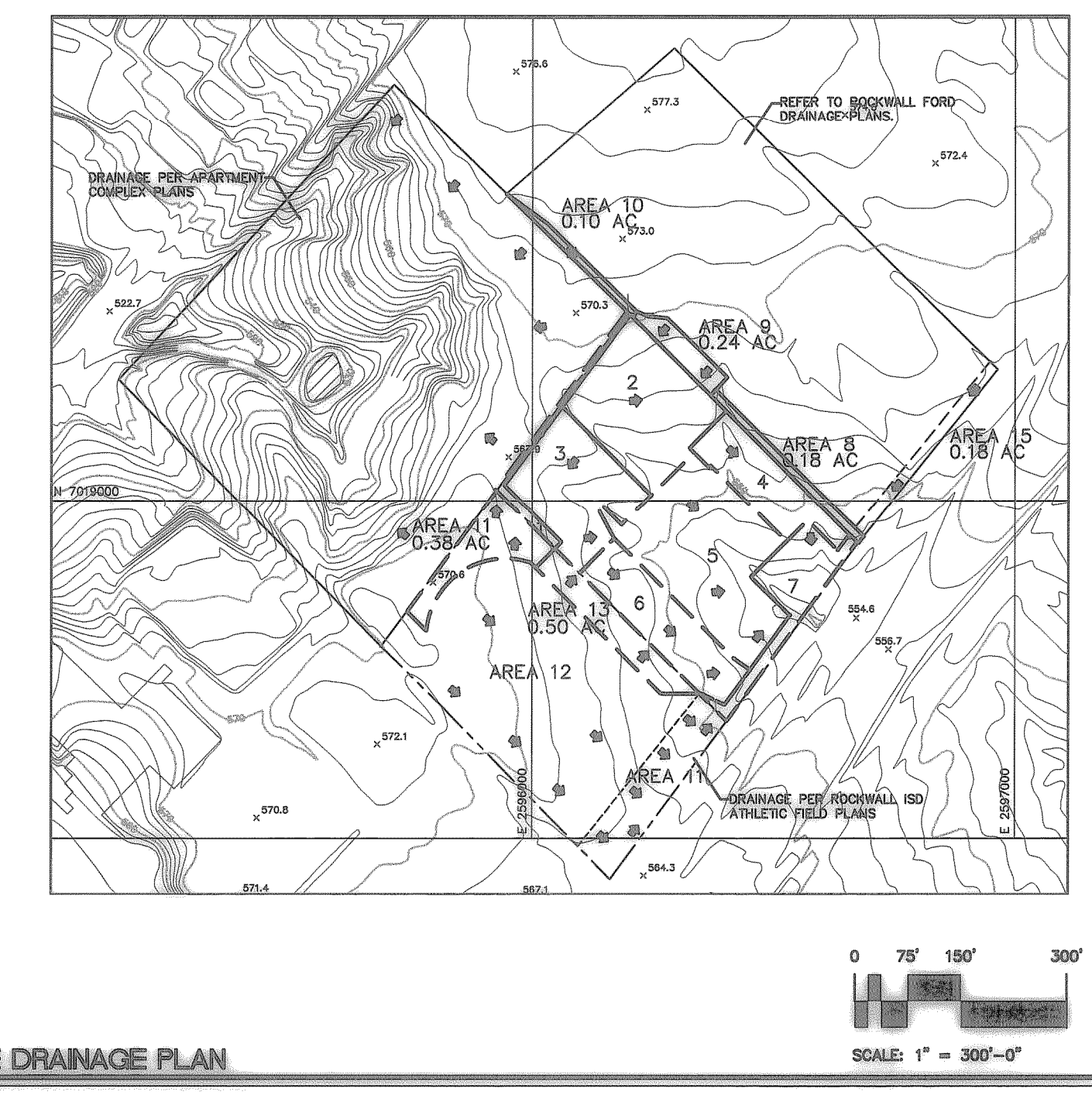
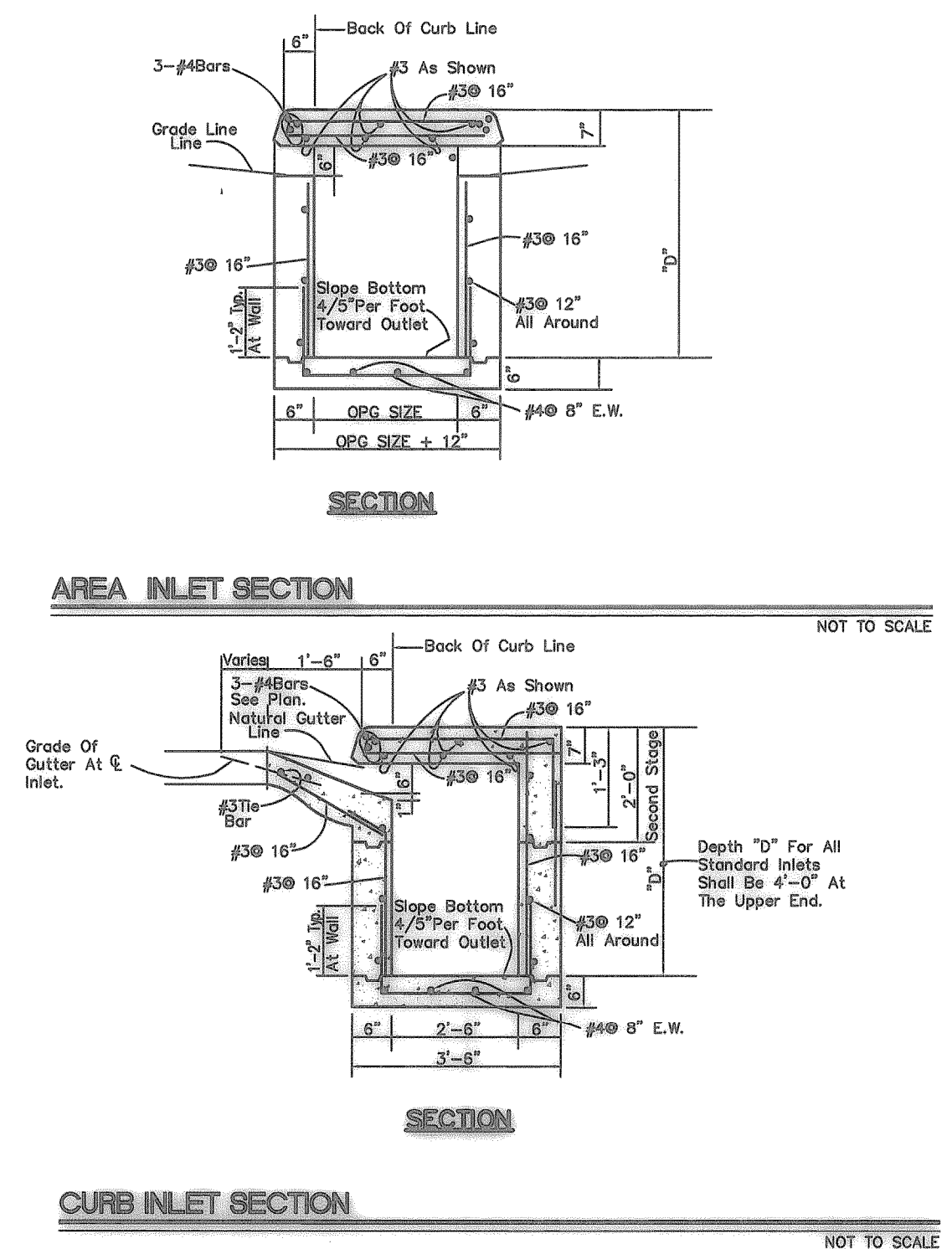
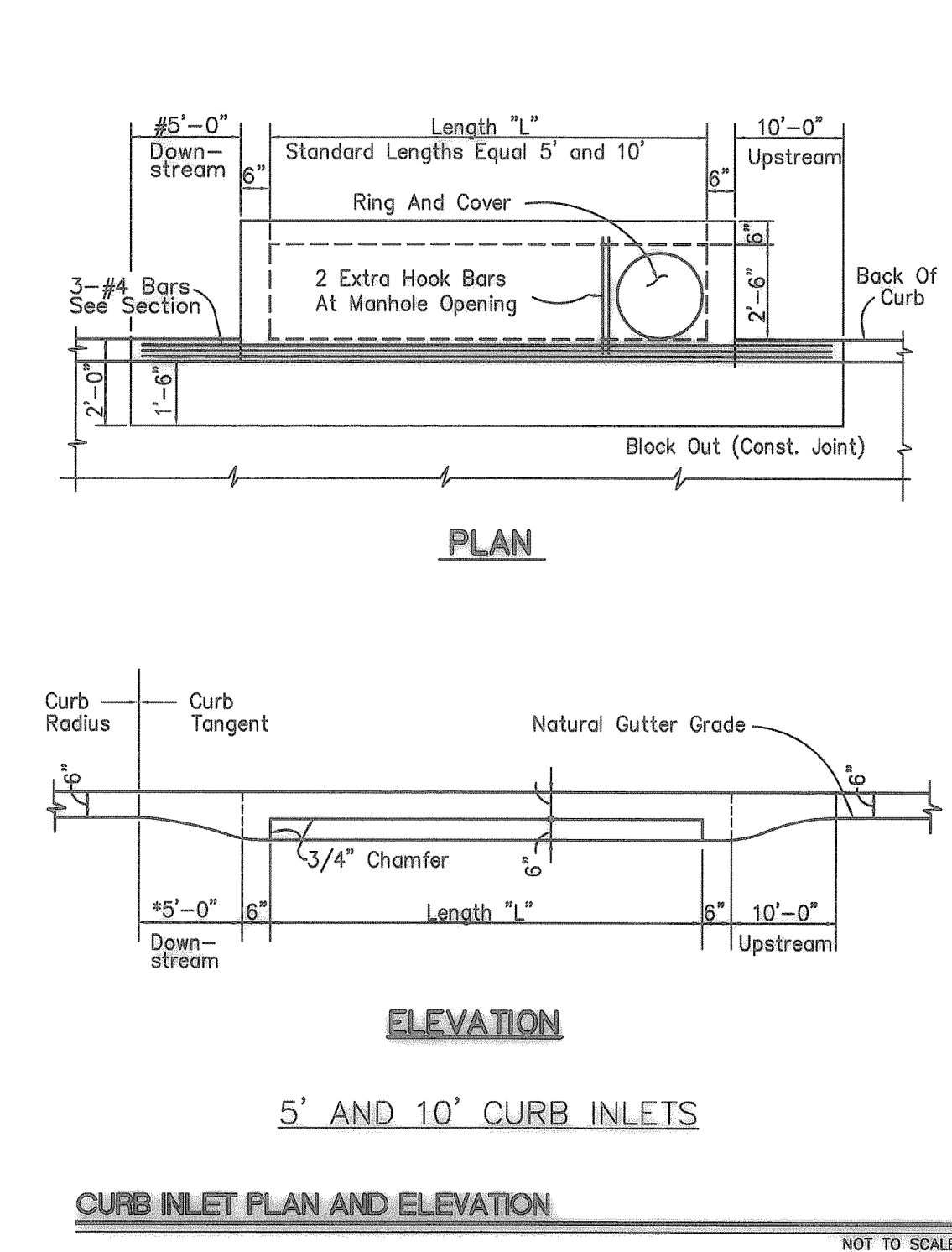
PROPOSED  
DODGE  
CAR DEALERSHIP  
TEXAS  
ROCKWALL

PROJECT NO. P89  
DATE: 03/13/00  
REVISIONS:  
DATE: 11/06/00  
RECORD DOCUMENTS: 12/17/00

SHEET NO.  
8

DRAINAGE TABLE				
AREA	ACRES	C	I <sub>100</sub>	Q <sub>100</sub>
1	0.18	0.90	9.8	0.7
2	1.33	0.90	9.8	12.9
3	1.14	0.90	9.8	10.1
4	1.04	0.90	9.8	6.6
5	2.04	0.90	9.8	17.3
6	0.93	0.90	9.8	8.1
7	0.45	0.90	9.8	5.6
# 8	0.18	0.90	9.8	1.6
# 9	0.24	0.90	9.8	2.1
# 10	0.10	0.90	9.8	0.9
# 11	0.38	0.35	9.8	0.93
# 12	4.71	0.35	9.8	16.16
# 13	0.50	0.35	9.8	1.71
# 14	0.09	0.90	9.8	0.08
# 15	0.15	0.90	9.8	1.30
TOTAL	13.49 AC			86.08 CFS

4 DRAINS THRU ROW EASEMENT FROM SCHOOL FIELD.  
# OFFSITE



RECORD DOCUMENTS