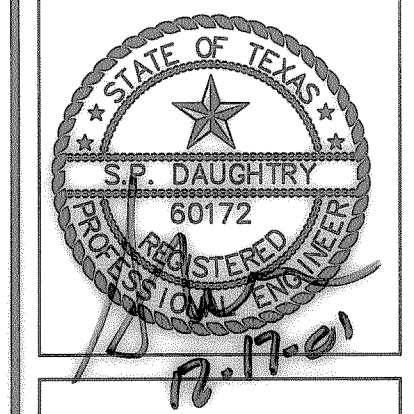


NOTES:

- KEYED NOTES DESIGNATED BY: ○
1. EXG BOX CULVERT HEADWALL.
 2. EXG 39" TYPE B HEADWALL.
 3. EXG RIP RAP.
 4. NEW CONC. FLUME, 8'-WIDE.
 5. FLOW CONTROL ORFICE.
 6. EMERGENCY SPILLWAY, WEIR ELEVATION 554.0. TOP OF WALL 555.0.
 7. 18" CORRUGATED STEEL CULVERT.
 8. SAFETY HEADWALL.
 9. NEW CONC RIP-RAP 13' WIDE



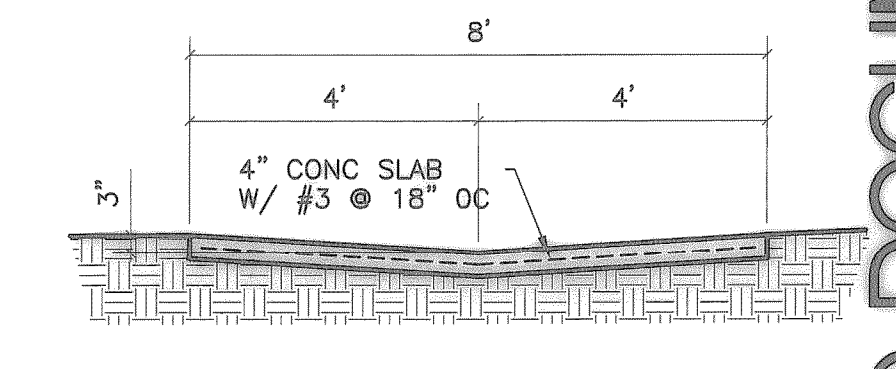
ALLIED ASSOCIATES
CONSULTING ENGINEERS
280 W. 11th St., Lubbock, TX 79401
PH: 806/745-1100
FAX: 806/745-1101

Architectural Resources
2525 74TH ST., SUITE 200
LUBBOCK, TX 79423
BBS/FAX (806) 745-1225

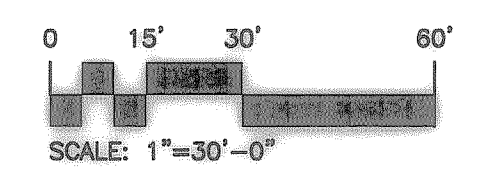
PROPOSED DODGE CAR DEALERSHIP
TEXAS
ROCKWALL

PROJECT NO. P88
DATE: 03/13/00
REVISIONS:
DATE: 11/08/00
RECORD DOCUMENTS 12/17/00

SHEET NO.
7



SECTION 4
SCALE: 3/8" = 1'-0"



RECORD DOCUMENTS