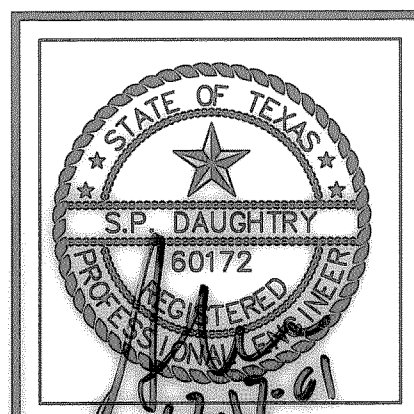
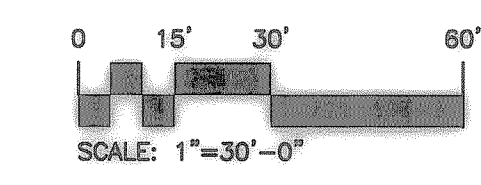
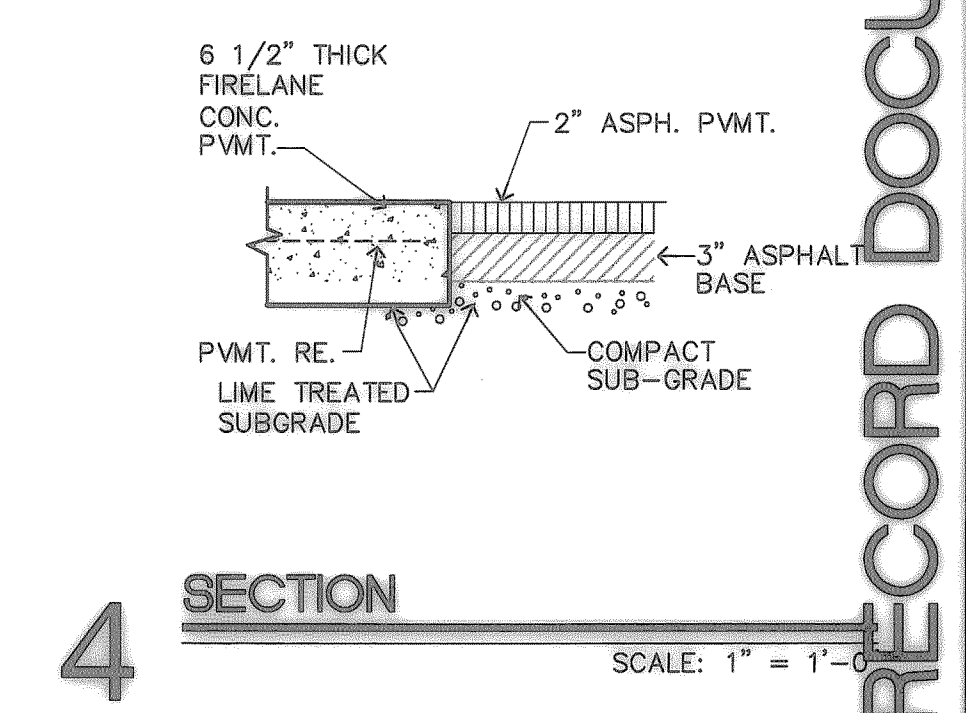
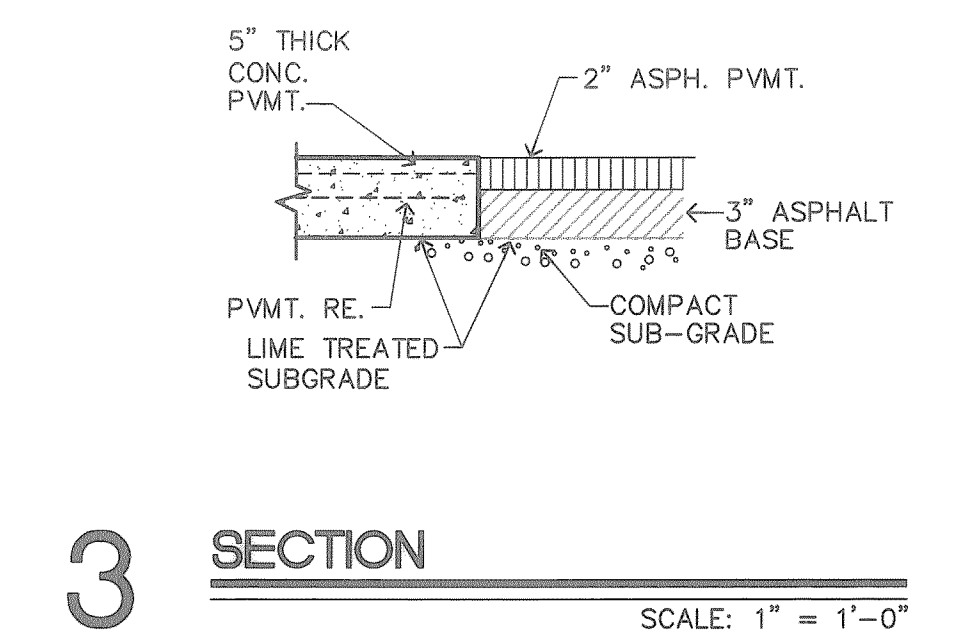


- NOTES:**
KEYED NOTES DESIGNATED BY: ○
1. PROPOSED FUTURE SERVICE SHOP ADDITION.
 2. NEW CONCRETE APPROACH, PROVIDE TXDOT PERMIT PRIOR TO CONSTRUCTION.
 3. FENCE 2' BARB WIRE (3-WIER) TOP.
 4. NEW 24'-W ROLLING GATE W/ KNOX BOX.
 5. EXG TX DOT DRAINAGE EASEMENT.
 6. NEW LANDSCAPE / DETENTION AREA.
 7. EXG TX DOT DRAINAGE CULVERT, (2 - 5' X 3') W/ HEADWALL.
 8. EXG DRAINAGE HEADWALL.
 9. EXG DRAINAGE EASEMENT.
 10. ACCESSIBLE CURB RAMP.
 11. LANDSCAPED AREA.
 12. REFER TO SHEET 3 FOR HORIZONTAL SITE DIMENSIONS.
 13. 24' FIRELANE SHALL BE 6 1/2" THK, 6-SACK CONCRETE FOR MACHINED PLACED CONCRETE OR 6 1/2 SACK FOR HAND PLACED CONCRETE 3500 PSI (MIN) W/ #4 @ 12" O.C. EACH WAY. LIME STABILIZE TO 6" COMPACTED SUBBASE (USE SHEETS FOOT ROLLER)
 14. ALL PAVING EXCEPT FIRELANE & CONC PARKING PAVEMENT SHALL BE 2" ASPHALT, ON 3" ASPHALT BASE COURSE & 8" STABILIZED & COMPACTED SUB-BASE, (USE SHEEPS FOOT ROLLER)
 15. ENTIRE SITE SHALL BE STABILIZED TO REDUCE SOIL MOVEMENT W/ LIME TREATED AND COMPACTED SUBGRADE.
 16. NEW DRAINAGE CONCRETE FLUME
 17. CONCRETE PARKING SHALL BE 4200 PSI CONCRETE 5" THICK W/ #3 @ 18" O.C. EW (MIN REQUIREMENT)
 18. 6 1/2" CONC FIRELANE, RE NOTE 13.
 19. 5" CONC PARKING PAVEMENT, RE NOTE 17.
 20. REMOVE AND RELOCATE EXG FIXTURE.
 21. EXTEND ACCESS DRIVE TO EXG PAVEMENT, REMOVE CURBS AND GUTTERS AS REQUIRED.
 22. SAW-TOOTH CURB. REFER TO DETAIL 4/6
 23. SAW-TOOTH CURB. REFER TO DETAIL 3/6



ALLIED ASSOCIATES CONSULTING ENGINEERS
REGISTERED PROFESSIONAL ENGINEERS
2805 74TH ST., LUBBOCK, TX 79423
(806) 745-1103

LUBBOCK, TX 79423
885/FAX (806) 745-1225

2525 74TH ST., SUITE 200
(806) 745-1103

PROPOSED
DODGE CAR DEALERSHIP
TEXAS
ROCKWALL

PROJECT NO. P88-
DATE: 03/18/00
REVISIONS:
DATE: 11/08/00
RECORD DOCUMENTS: 12/17/04

SHEET NO.
2

RECORD DOCUMENTS

K:\dodge.dwg\ENGINEERING\SH-42.dwg - Mon, Dec 17, 10:19:46 2001 - STATION-13

SITE IMPROVEMENT PLAN