

**CAUTION !!!
UNDERGROUND UTILITIES**

EXISTING UTILITIES AND UNDERGROUND FACILITIES INDICATED ON THESE PLANS HAVE BEEN LOCATED FROM REFERENCE INFORMATION SUPPLIED BY VARIOUS OWNERS OF THE FACILITIES. THE ENGINEER DOES NOT ACCEPT THE RESPONSIBILITY FOR THE UTILITY LOCATIONS SHOWN. IT SHALL BE THE RESPONSIBILITY OF THE CONTRACTOR TO VERIFY BOTH HORIZONTALLY AND VERTICALLY THE LOCATION OF ALL EXISTING UTILITIES AND UNDERGROUND FACILITIES PRIOR TO CONSTRUCTION, TO TAKE NECESSARY PRECAUTIONS IN ORDER TO PROTECT ALL FACILITIES ENCOUNTERED, AND TO NOTIFY THE ENGINEER PROMPTLY OF ALL CONFLICTS OF THE WORK WITH EXISTING FACILITIES. THE CONTRACTOR SHALL PRESERVE AND PROTECT ALL EXISTING UTILITIES FROM DAMAGE DURING CONSTRUCTION. ANY DAMAGE BY THE CONTRACTOR TO EXISTING UTILITIES SHALL BE REPAIRED BY THE CONTRACTOR AT HIS EXPENSE. CONTACT ALL POSSIBLE UTILITY AND UNDERGROUND FACILITY OWNERS.

NOTE :
ACCESS TO BE PROVIDED TO ALL RESIDENTS ALONG FM 552 DURING CONSTRUCTION OF 15" SANITARY SEWER

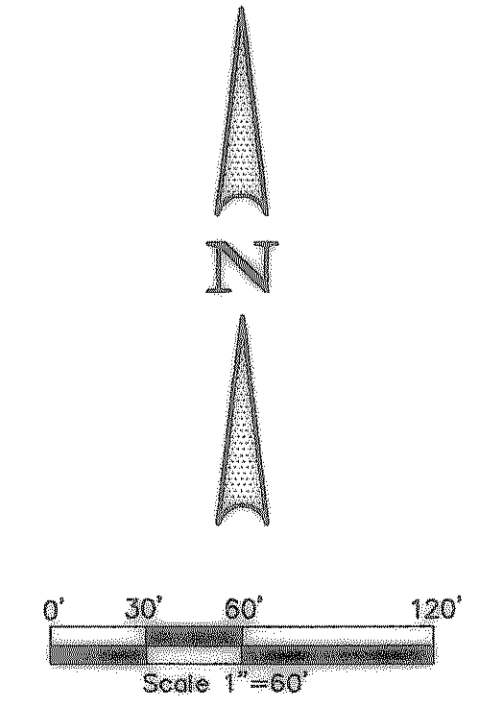
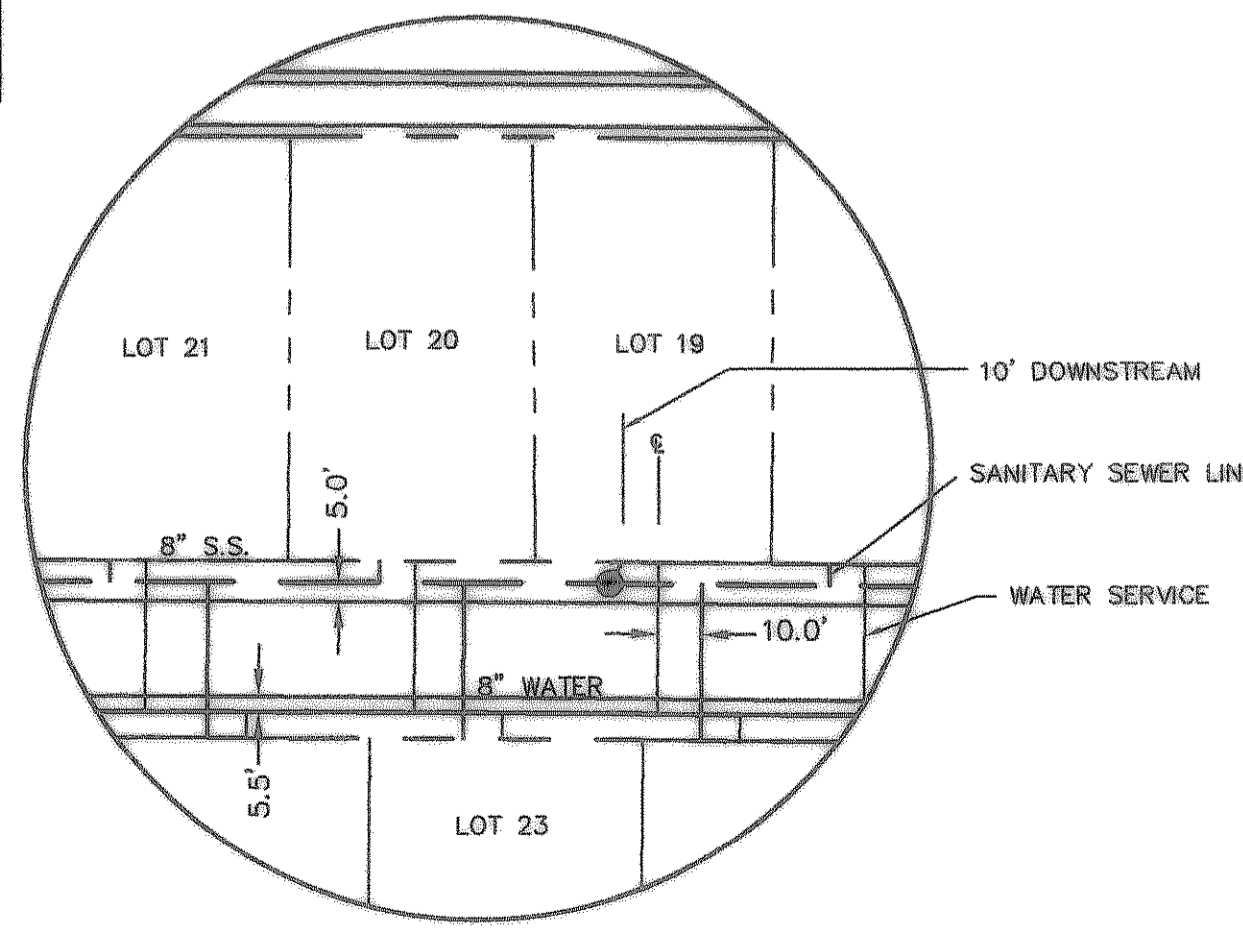
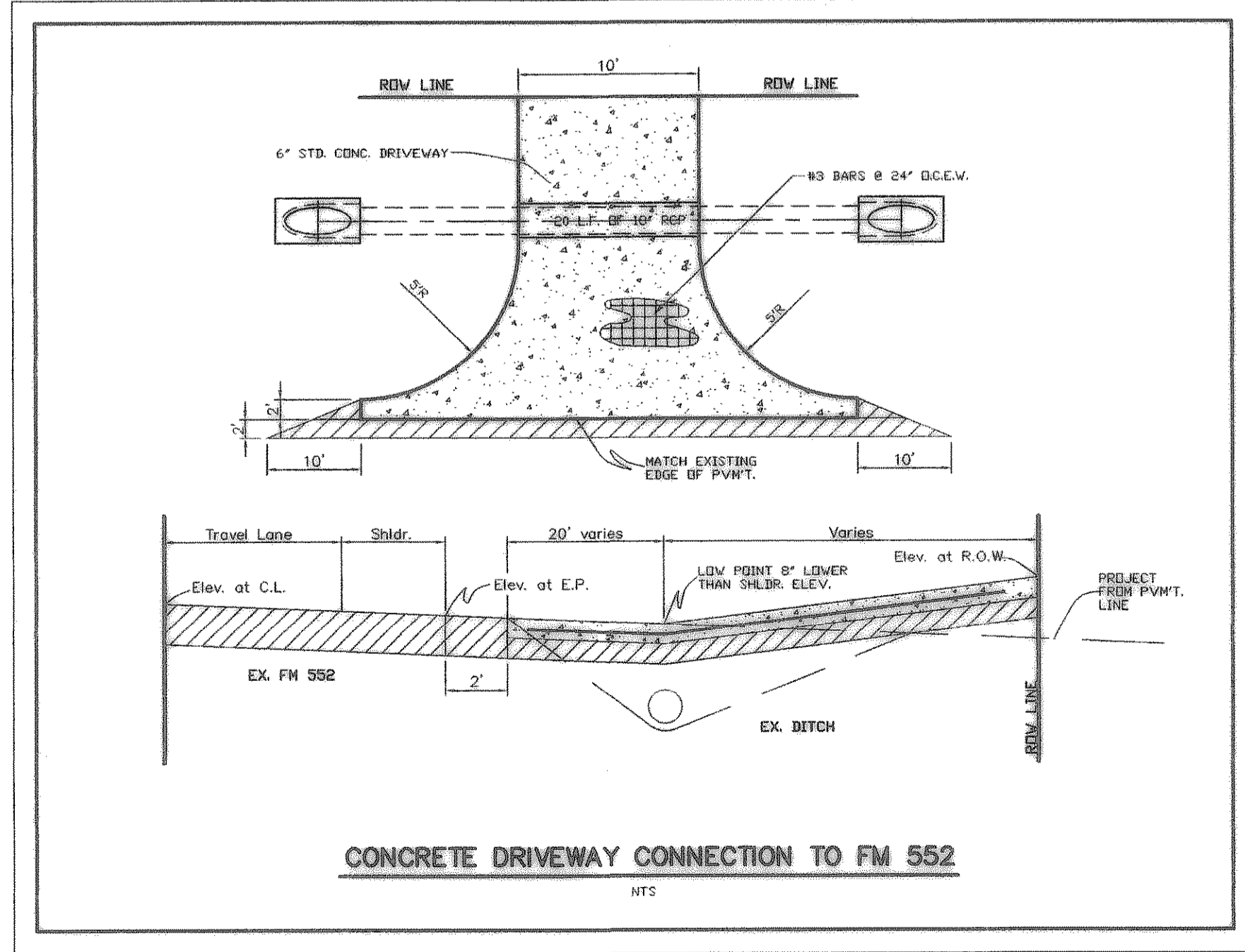
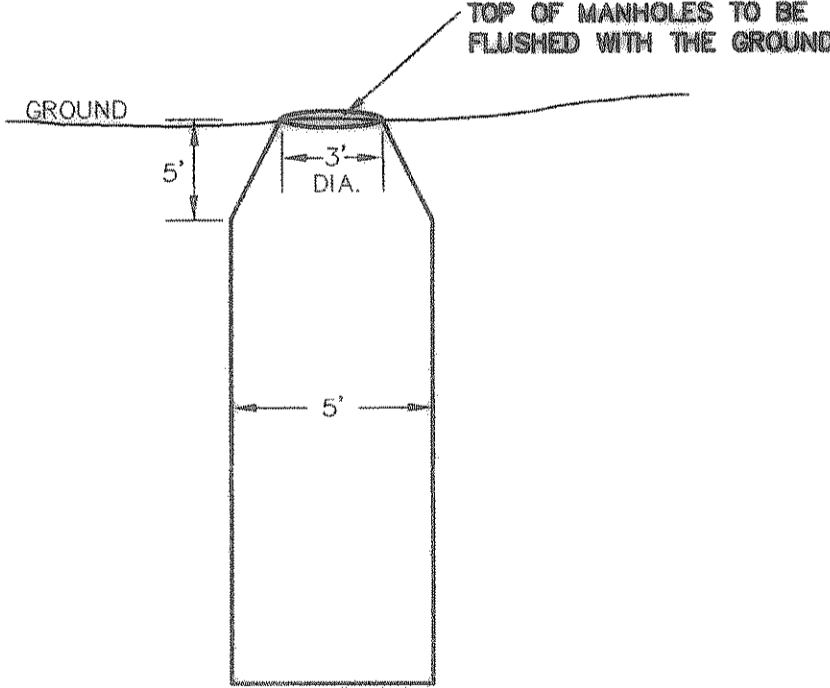
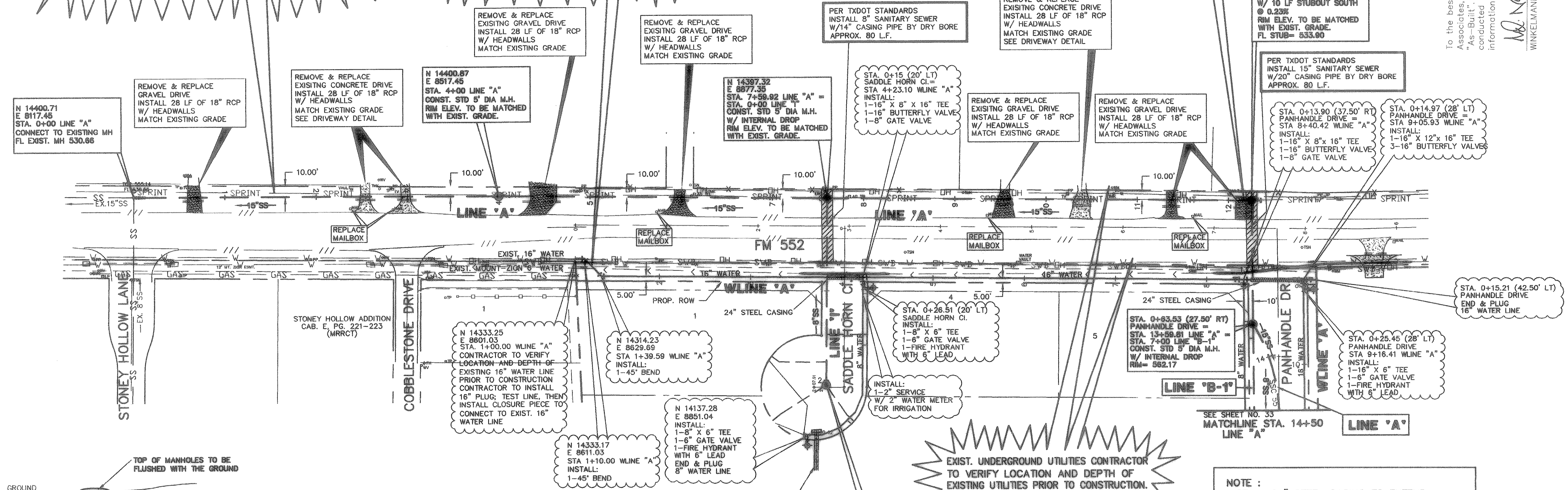
CURVE	LENGTH	RADIUS	DELTA	TANGENT	CHORD	BEARING
SSC55	106.10	200.00	30°23'44"	54.33	104.86	N15°41'35"W

WARNING!!!
EXIST. UNDERGROUND FIBER OPTICS CABLES
CONTRACTOR TO VERIFY LOCATION AND DEPTH OF EXISTING FIBER OPTICS CABLES PRIOR TO CONSTRUCTION.

WARNING!!!
EXIST. UNDERGROUND 6" WATER & TELEPHONE LINE
CONTRACTOR TO VERIFY LOCATION AND DEPTH OF EXISTING UTILITIES PRIOR TO CONSTRUCTION.

WARNING!!!
EXIST. UNDERGROUND FIBER OPTICS CABLES
CONTRACTOR TO VERIFY LOCATION AND DEPTH OF EXISTING FIBER OPTICS CABLES PRIOR TO CONSTRUCTION.

AS BUILT
To the best of our knowledge "Winkelmann and Associates, Inc." hereby states that this plan is "As-Built". The information is based on surveying conducted at the site and modification information provided by "the Contractor".
DATE: 9/25/07
WINKELMANN & ASSOCIATES, INC.



THESE CONSTRUCTION PLANS WERE PREPARED UNDER THE RESPONSIBLE SUPERVISION OF MD. NAIM UDDIN KHAN, REGISTERED PROFESSIONAL ENGINEER NO. 87776.

THE SEAL APPEARING ON THIS DOCUMENT WAS AUTHORIZED BY MD. NAIM UDDIN KHAN, P.E. #87776

JOHN M. GLASS SURVEY ABSTRACT No. 88
CITY OF ROCKWALL
ROCKWALL COUNTY, TEXAS
D R HORTON
4306 MILLER ROAD, SUITE A
ROWLETT, TEXAS 75088
214-607-4244

WATER & SANITARY SEWER PLAN

Scale : 1"=60'
Date : 09/23/06
Designed By : IT
Drawn By : IT
Checked By : NK
File : 40709WS.DWG
View : WS4
Project No. : 40709.00

SHEET 34A OF 45

Winkelmann & Associates, Inc.
CONSULTING CIVIL ENGINEERS & SURVEYORS
1000 W. WILSON ROAD, SUITE 100
DALLAS, TEXAS 75209
(972) 981-0999 FAX

BENCHMARK 1 USGS Monument--stamped Boren 1986
Located approximately 1.25 miles east of Rockwall at the Rockwall Municipal Airport, in the north end of a circular grass area at the end of a roadway.
ELEVATION = 574.77

BENCHMARK 2 USGS Monument--5" cap stamped N 1495/1986
Located 24.6 feet west of the center of a paved road leading to the Rockwall Municipal Airport, 16.4 feet south of a utility pole with a transformer and light, 2 feet west of the north leg of a sign. Access to datum point is through a 5 inch logo cap.
ELEVATION = 567.44