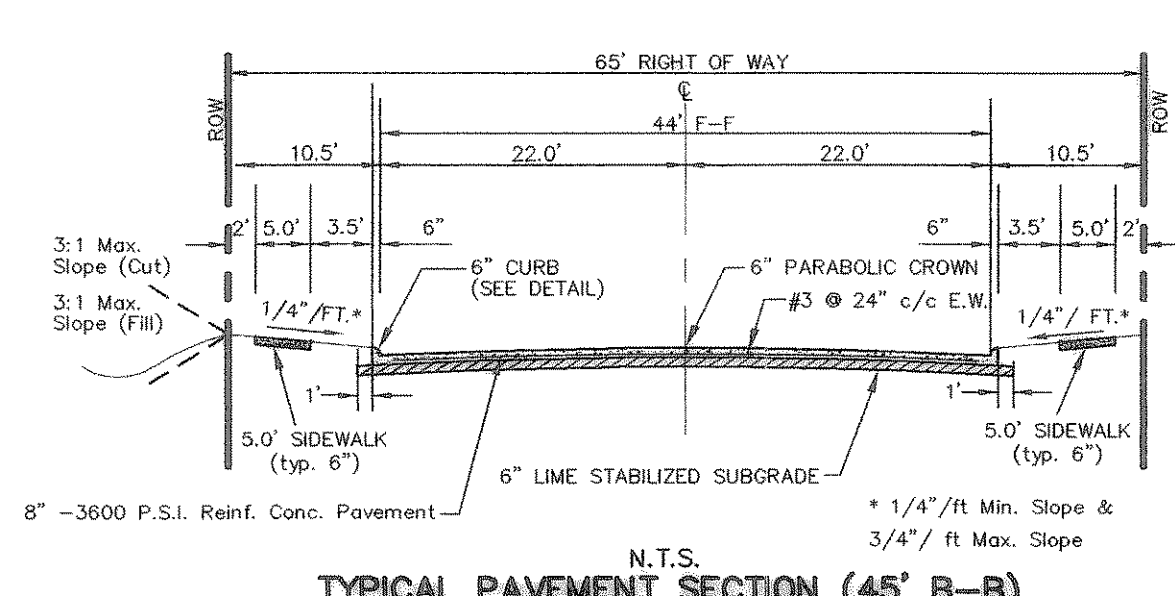
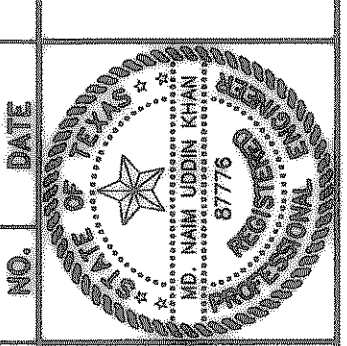


- NOTE:
- 1) PAVEMENT SHALL CONSIST OF 6" 3600 P.S.I. REINFORCED CONCRETE AND 6" LIME-STABILIZED SUBGRADE WITH 6" PARABOLIC CROWN FOR 28' STREETS.
 - 2) PAVEMENT SHALL CONSIST OF 8" 3600 P.S.I. REINFORCED CONCRETE AND 6" LIME-STABILIZED SUBGRADE WITH 7" PARABOLIC CROWN FOR 44' STREETS.
 - 3) PAVEMENT FOR ALLEYS SHALL CONSIST OF 4000 P.S.I. REINFORCED CONCRETE AND 6" LIME-STABILIZED SUBGRADE WITH 5" INVERT. TYPICAL ALLEY SECTION WILL BE 7'-5"-7".
 - 4) CONTRACTOR TO RUN LIME SERIES BEFORE CONSTRUCTION.

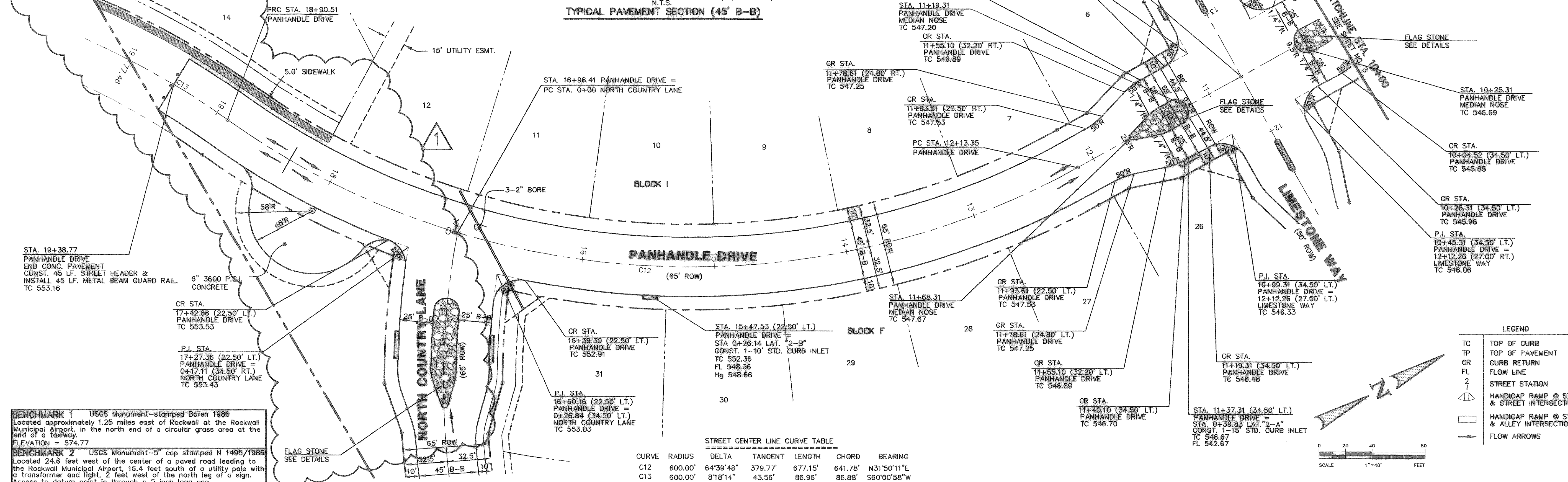


AS BUILT
 To the best of our knowledge "Winkelmann and Associates, Inc." hereby states that this plan is "As-Built". The information is based on surveying conducted at the site and modification information provided by "the Contractor".
 W. Winkelmann 9/25/07
 WINKELMANN & ASSOCIATES, INC. DATE

NO.	DATE	REVISION	APPROVAL
1	08/01/07	ADD SIDE WALK & REVISED CONCRETE BRICK PAVERS	N.K.



THESE CONSTRUCTION PLANS WERE PREPARED UNDER THE RESPONSIBLE SUPERVISION OF JOHN M. GLASS, REGISTERED PROFESSIONAL ENGINEER NO. 87776.
 JOHN M. GLASS SURVEY ABSTRACT No. 88
 CITY OF ROCKWALL, TEXAS
 D. R. HORTON
 4308 MILLER ROAD, SUITE A
 ROWLETT, TEXAS 75088
 214-607-4244



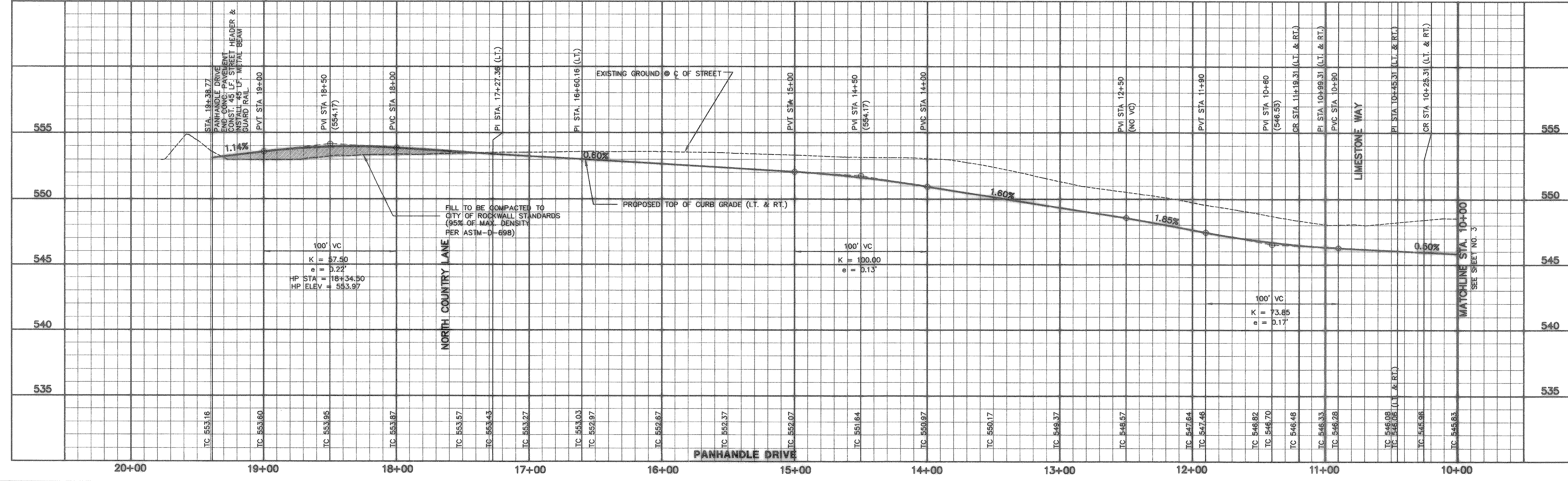
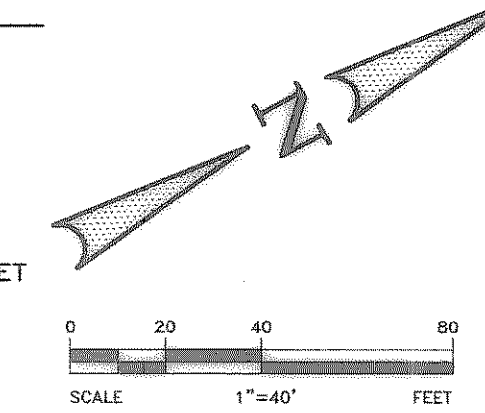
BENCHMARK 1 USGS Monument—stamped Boren 1986
 Located approximately 1.25 miles east of Rockwall at the Rockwall Municipal Airport, in the north end of a circular grass area at the end of a driveway.
 ELEVATION = 574.77

BENCHMARK 2 USGS Monument—5" cap stamped N 1495/1986
 Located 24.6 feet west of the center of a paved road leading to the Rockwall Municipal Airport, 16.4 feet south of a utility pole with a transformer and light, 2 feet west of the north leg of a sign. Access to datum point is through a 5 inch logo cap.
 ELEVATION = 567.44

STREET CENTER LINE CURVE TABLE

CURVE	RADIUS	DELTA	TANGENT	LENGTH	CHORD	BEARING
C12	600.00'	64°39'48"	379.77'	677.15'	641.78'	N31°50'11"E
C13	600.00'	8°18'14"	43.56'	86.96'	86.88'	S60°00'58"W

- LEGEND
- TC TOP OF CURB
 - TP TOP OF PAVEMENT
 - CR CURB RETURN
 - FL FLOW LINE
 - STREET STATION
 - HANDICAP RAMP @ STREET & STREET INTERSECTION
 - HANDICAP RAMP @ STREET & ALLEY INTERSECTION
 - FLOW ARROWS



PAVING PLAN & PROFILE
 PANHANDLE DRIVE
 STA. 10+00 TO 19+36.77

Scale: 1" = 20'
 Date: 06/24/06
 Designed By: IT / RS
 Drawn By: IT / RS
 Checked By: NK
 File: 40709PAV/DWG View: P02
 Project No.: 40709.00