

NOTE:

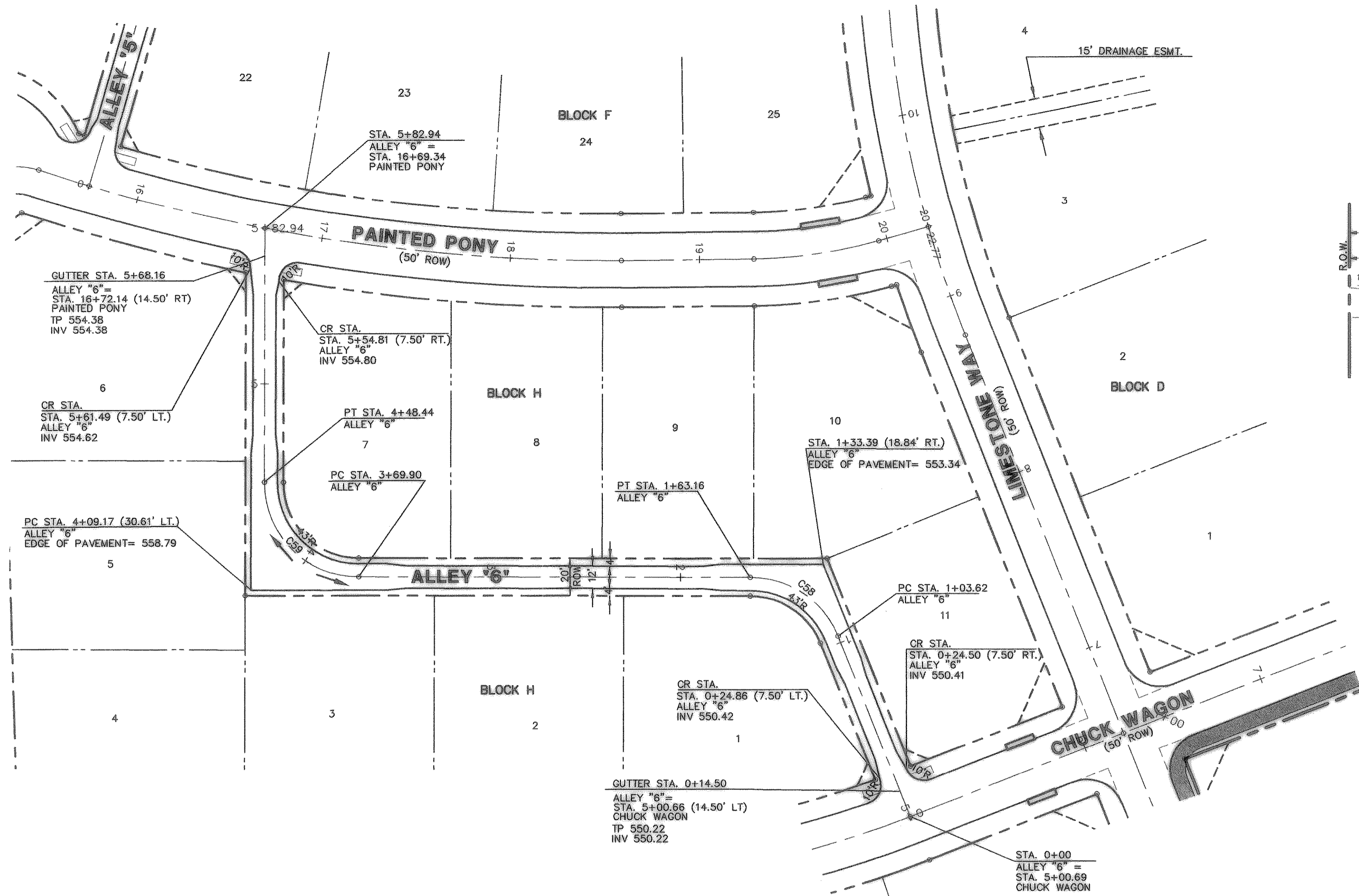
- 1) PAVEMENT SHALL CONSIST OF 6" 3600 P.S.I. REINFORCED CONCRETE AND 6" LIME-STABILIZED SUBGRADE WITH 6" PARABOLIC CROWN FOR 28' STREETS.
- 2) PAVEMENT SHALL CONSIST OF 5" 3600 P.S.I. REINFORCED CONCRETE AND 6" LIME-STABILIZED SUBGRADE WITH 7" PARABOLIC CROWN FOR 44' STREETS.
- 3) PAVEMENT FOR ALLEYS SHALL CONSIST OF 4000 P.S.I. REINFORCED CONCRETE AND 6" LIME-STABILIZED SUBGRADE WITH 5" INVERT. TYPICAL ALLEY SECTION WILL BE 7"-5"-7".
- 4) CONTRACTOR TO RUN LIME SERIES BEFORE CONSTRUCTION.

ALLEY CENTER LINE CURVE TABLE

CURVE	RADIUS	DELTA	TANGENT	LENGTH	CHORD	BEARING
C58	50.00'	68°13'06"	33.88'	59.53'	56.08'	S34°17'07"W
C59	50.00'	90°00'00"	50.00'	78.54'	70.71'	N45°10'34"E

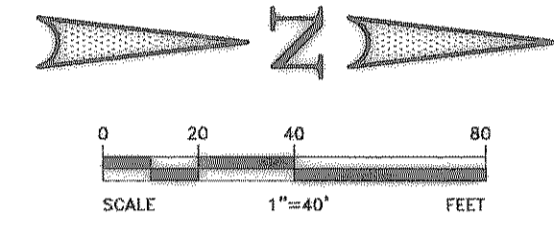
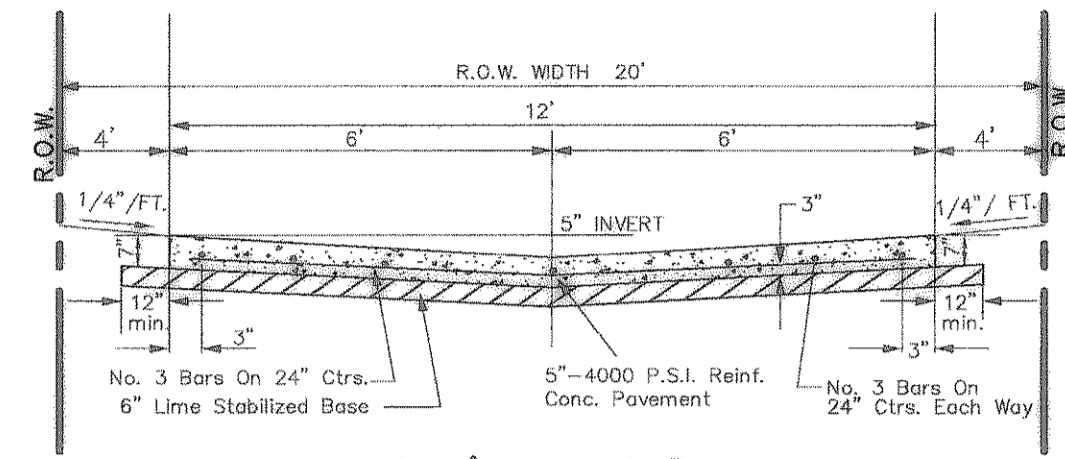
BENCHMARK 1 USGS Monument—stamped Boren 1986
 Located approximately 1.25 miles east of Rockwall at the Rockwall Municipal Airport, in the north end of a circular grass area at the end of a driveway.
 ELEVATION = 574.77

BENCHMARK 2 USGS Monument—5" cap stamped N 1495/1986
 Located 24.6 feet west of the center of a paved road leading to the Rockwall Municipal Airport, 16.4 feet south of a utility pole with a transformer and light, 2 feet west of the north leg of a sign. Access to datum point is through a 5 inch logo cap.
 ELEVATION = 567.44



AS BUILT
 To the best of our knowledge "Winkelmann and Associates, Inc." hereby states that this plan is "As-Built". The information is based on surveying conducted at the site and modification information provided by "the Contractor".

W. N. Nimmick 9/25/07
 WINKELMANN & ASSOCIATES, INC. DATE



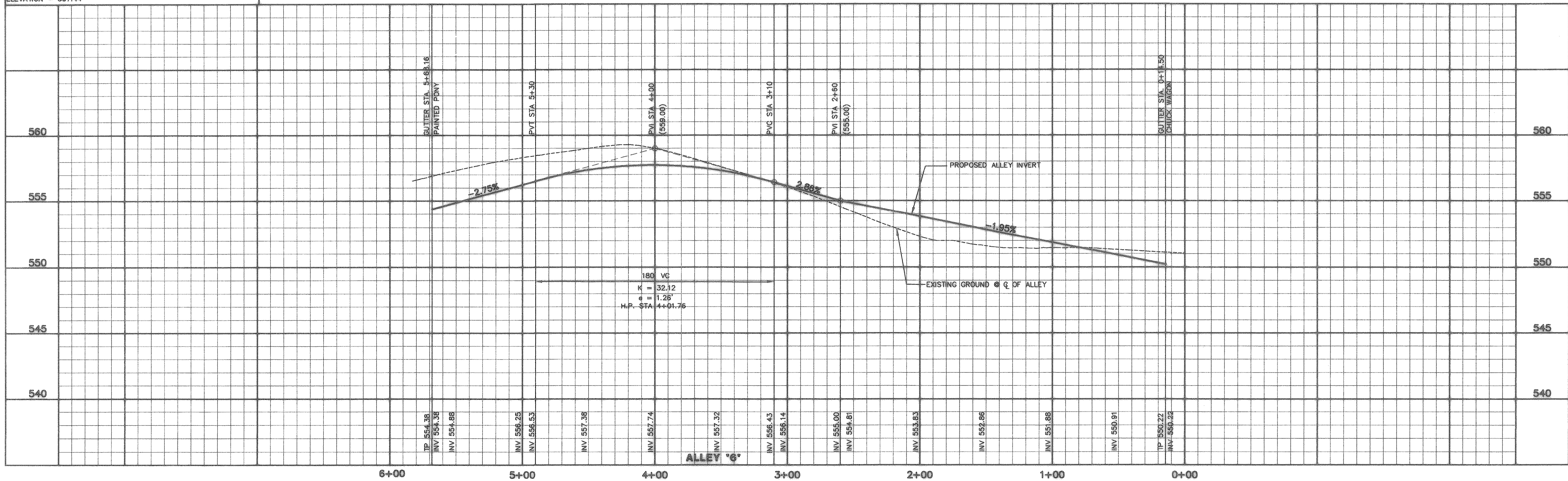
- LEGEND
- TC TOP OF CURB
 - TP TOP OF PAVEMENT
 - CR CURB RETURN
 - FL FLOW LINE
 - 2 STREET STATION
 - 1 STREET STATION
 - Handicap Ramp @ Street & Street Intersection
 - Handicap Ramp @ Street & Alley Intersection
 - Flow Arrows
 - Existing Concrete Pavement

THESE CONSTRUCTION PLANS WERE PREPARED BY
 JOHN M. GLASS SURVEY ABSTRACT NO. 86
 CITY OF ROCKWALL
 ROCKWALL COUNTY, TEXAS
 REGISTERED PROFESSIONAL ENGINEER NO. 87776
 MD. NAIM UDDIN KHAN, P.E. #87776

THE SEAL APPEARING ON THIS DOCUMENT WAS AUTHORIZED BY
 JOHN M. GLASS SURVEY ABSTRACT NO. 86
 CITY OF ROCKWALL
 ROCKWALL COUNTY, TEXAS
 REGISTERED PROFESSIONAL ENGINEER NO. 87776
 MD. NAIM UDDIN KHAN, P.E. #87776

JOHN M. GLASS SURVEY ABSTRACT NO. 86
 CITY OF ROCKWALL
 ROCKWALL COUNTY, TEXAS
 D. R. HORTON
 4306 MILLER ROAD, SUITE A
 ROWLETT, TEXAS 75088
 214-607-6244

PAVING PLAN & PROFILE
 ALLEY '6' - STA. 0+00 TO STA. 6+82.94



Scale: 1"=40'
 Date: 09/05/06
 Designed By: IT
 Drawn By: IT
 Checked By: NK
 File: 40709ALEY.dwg View: A4
 Project No.: 40709.00

SHEET
 20
 OF
 45

Winkelmann & Associates, Inc.
 CONSULTING CIVIL ENGINEERS & SURVEYORS
 8750 ALBERT PAJAR DRIVE, SUITE 100
 DALLAS, TEXAS 75243
 (972) 482-7800
 (972) 482-7898 FAX

APPROV. _____
 REVISION _____
 NO. _____ DATE _____