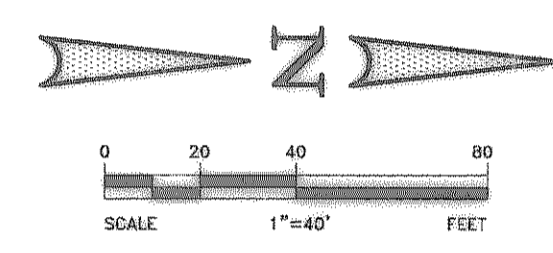
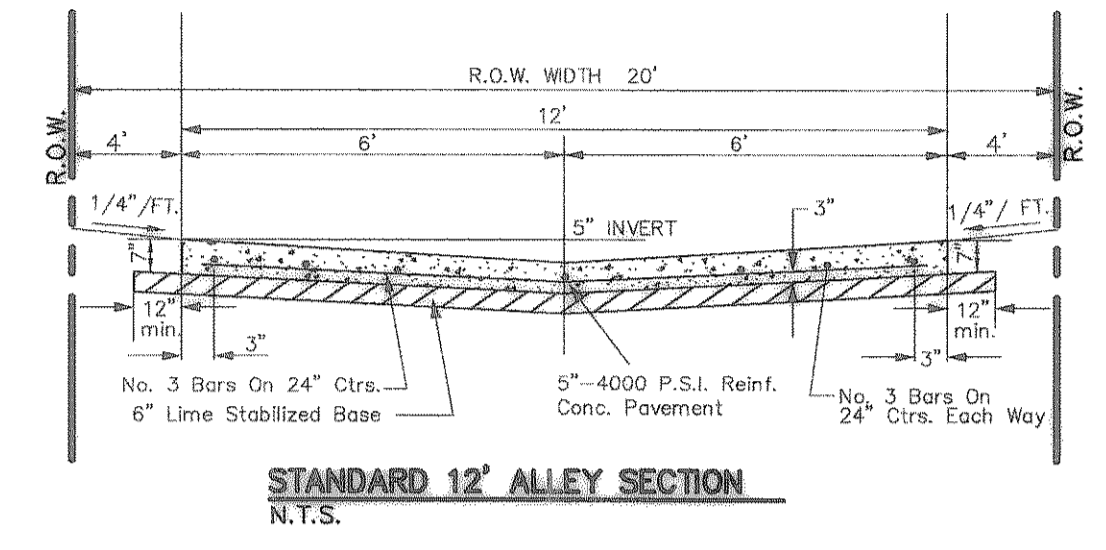
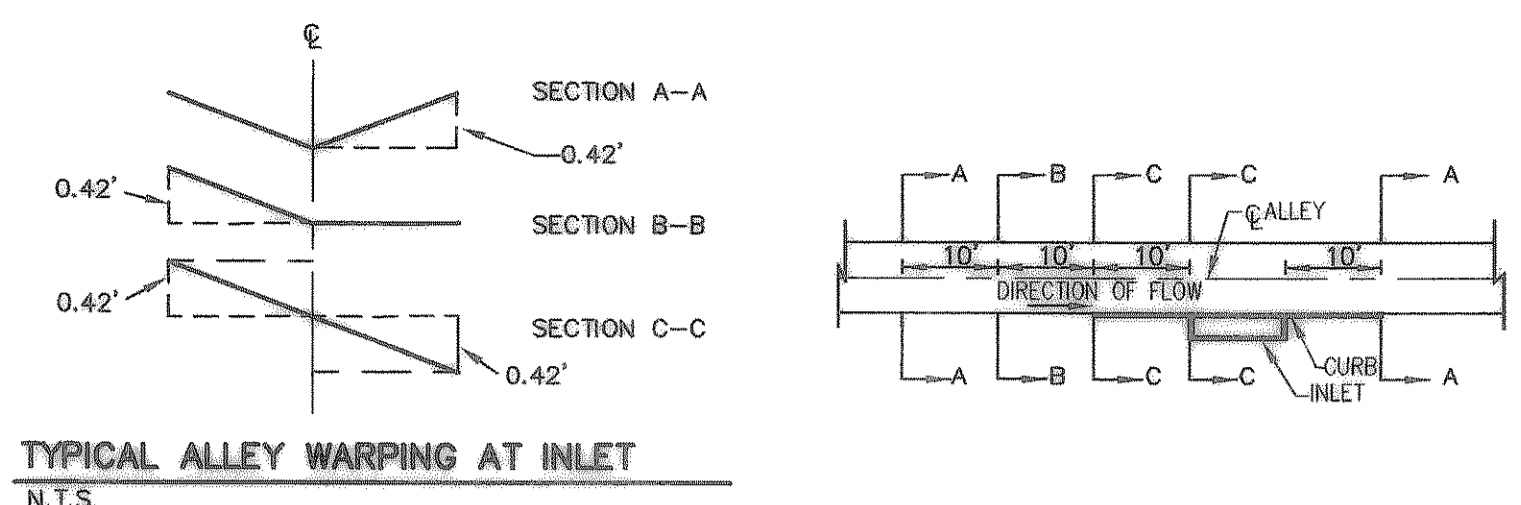
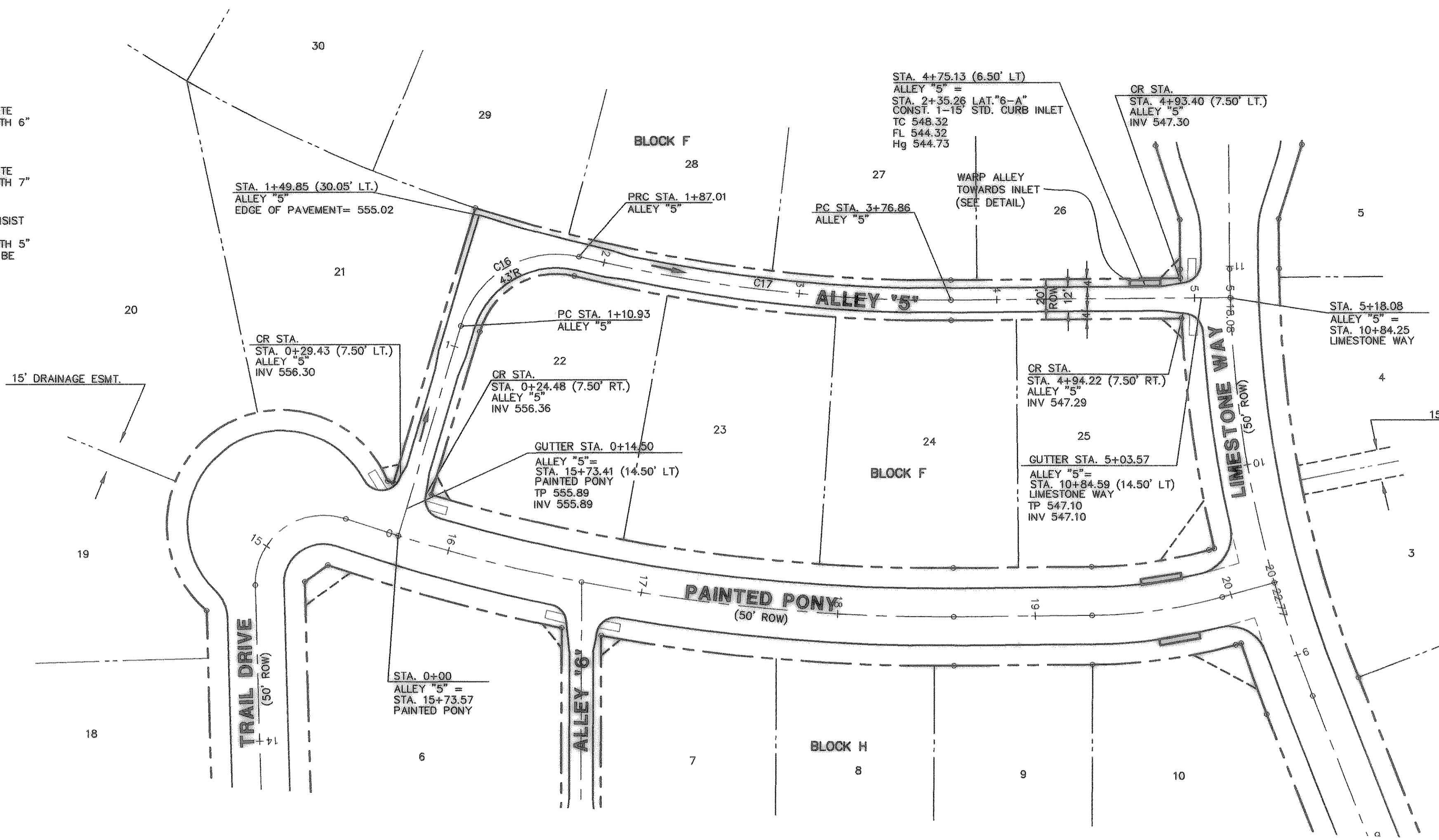


- NOTE:
- 1) PAVEMENT SHALL CONSIST OF 6" 3600 P.S.I. REINFORCED CONCRETE AND 6" LIME-STABILIZED SUBGRADE WITH 6" PARABOLIC CROWN FOR 28' STREETS.
  - 2) PAVEMENT SHALL CONSIST OF 8" 3600 P.S.I. REINFORCED CONCRETE AND 6" LIME-STABILIZED SUBGRADE WITH 7" PARABOLIC CROWN FOR 44' STREETS.
  - 3) PAVEMENT FOR ALLEYS SHALL CONSIST OF 4000 P.S.I. REINFORCED CONCRETE AND 6" LIME-STABILIZED SUBGRADE WITH 5" INVERT. TYPICAL ALLEY SECTION WILL BE 7'-5"-7'-7".
  - 4) CONTRACTOR TO RUN LIME SERIES BEFORE CONSTRUCTION.



- LEGEND
- TC TOP OF CURB
  - TP TOP OF PAVEMENT
  - CR CURB RETURN
  - FL FLOW LINE
  - 2 STREET STATION
  - 1 HANDICAP RAMP @ STREET & STREET INTERSECTION
  - Handicap Ramp @ Street & Alley Intersection
  - Flow Arrows
  - Existing Concrete Pavement

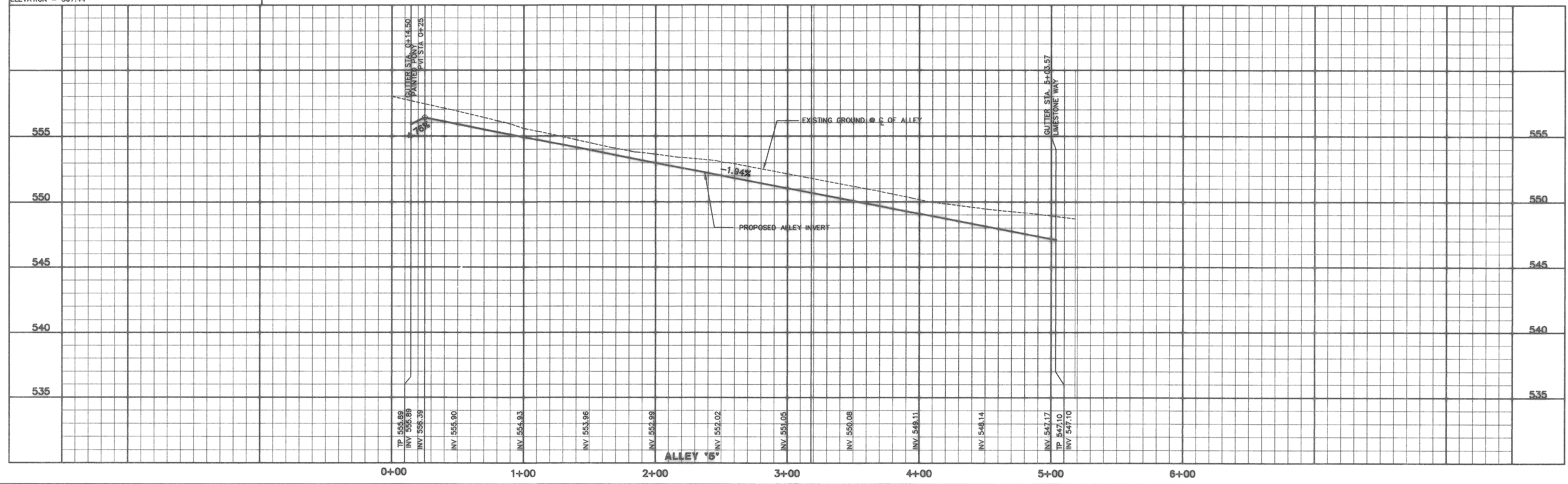
ALLEY CENTER LINE CURVE TABLE

CURVE	RADIUS	DELTA	TANGENT	LENGTH	CHORD	BEARING
C16	50.00'	87°10'41"	47.60'	76.08'	68.95'	S29°49'06"E
C17	762.50'	141°5'58"	95.42'	189.85'	189.36'	N06°38'16"E

**BENCHMARK 1** USGS Monument—stamped Boren 1986  
Located approximately 1.25 miles east of Rockwall at the Rockwall Municipal Airport, in the north end of a circular grass area at the end of a driveway.  
ELEVATION = 574.77

**BENCHMARK 2** USGS Monument—5" cap stamped N 1495/1986  
Located 24.6 feet west of the center of a paved road leading to the Rockwall Municipal Airport, 15.4 feet south of a utility pole with a transformer and light, 2 feet west of the north leg of a sign. Access to datum point is through a 5 inch logo cap.  
ELEVATION = 567.44

AS BUILT  
To the best of our knowledge "Winkelmann and Associates, Inc." hereby states that this plan is "As-Built". The information is based on surveying conducted at the site and modification information provided by "the Contractor".  
*M. N. Naimuddin Khan* 9/25/07  
WINKELMANN & ASSOCIATES, INC. DATE



APPROV. \_\_\_\_\_

REVISION \_\_\_\_\_

NO. DATE \_\_\_\_\_

THESE CONSTRUCTION PLANS WERE PREPARED UNDER THE RESPONSIBLE SUPERVISION OF M.D. NAIM UDDIN KHAN, REGISTERED PROFESSIONAL ENGINEER NO. 87776.

JOHN M. GLASS SURVEY ABSTRACT No. 88  
CITY OF ROCKWALL  
ROCKWALL COUNTY, TEXAS

D R HORTON  
4306 MILLER ROAD, SUITE A  
ROWLETT, TEXAS 75088  
214-607-4244

PAVING PLAN & PROFILE  
ALLEY '6' - STA. 0+00 TO STA. 5+18.08

Scale 1"=40' Date: 09/05/06  
Designed By: IT  
Drawn By: IT  
Checked By: NK  
File: 40709ALEY.dwg View: A.3  
Project No.: 40709.00

SHEET  
19  
OF  
45

Winkelmann & Associates, Inc.  
CONSULTING CIVIL ENGINEERS & SURVEYORS  
1501 W. WILSON ST., SUITE 101  
DALLAS, TEXAS 75230  
(972) 492-7888 FAX