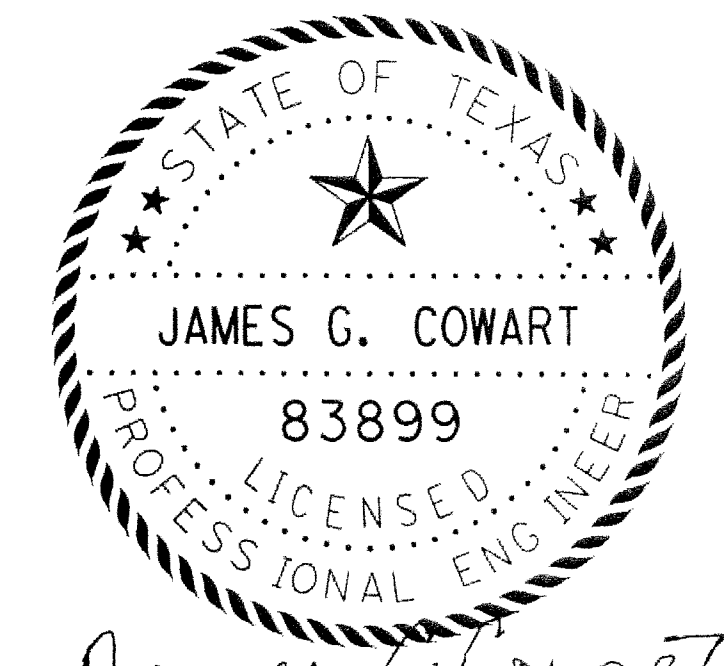
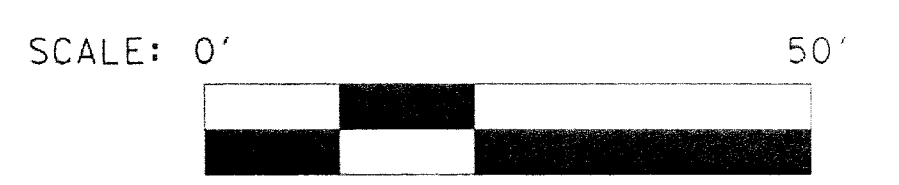
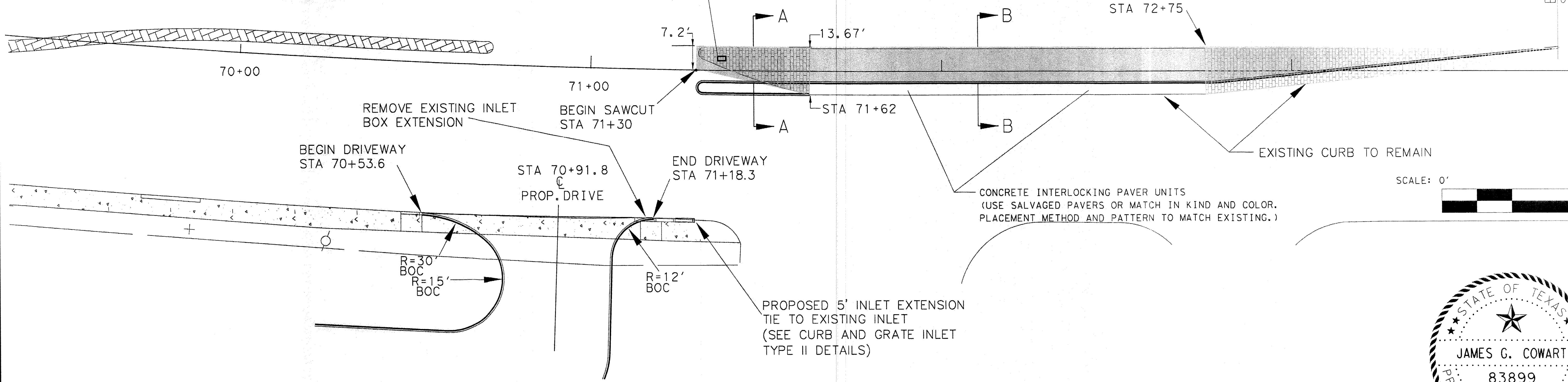


END SAWCUT
STATION 73+76



James G. Cowart
4-20-15

RELEASED FOR CONSTRUCTION
ALL RESPONSIBILITY FOR ADEQUACY OF DESIGN
REMAINS WITH THE DESIGN ENGINEER. THE CITY
OF ROCKWALL IN REVIEWING AND RELEASING
PLANS FOR CONSTRUCTION ASSUMES NO
RESPONSIBILITY FOR ADEQUACY OR ACCURACY
OF DESIGN.

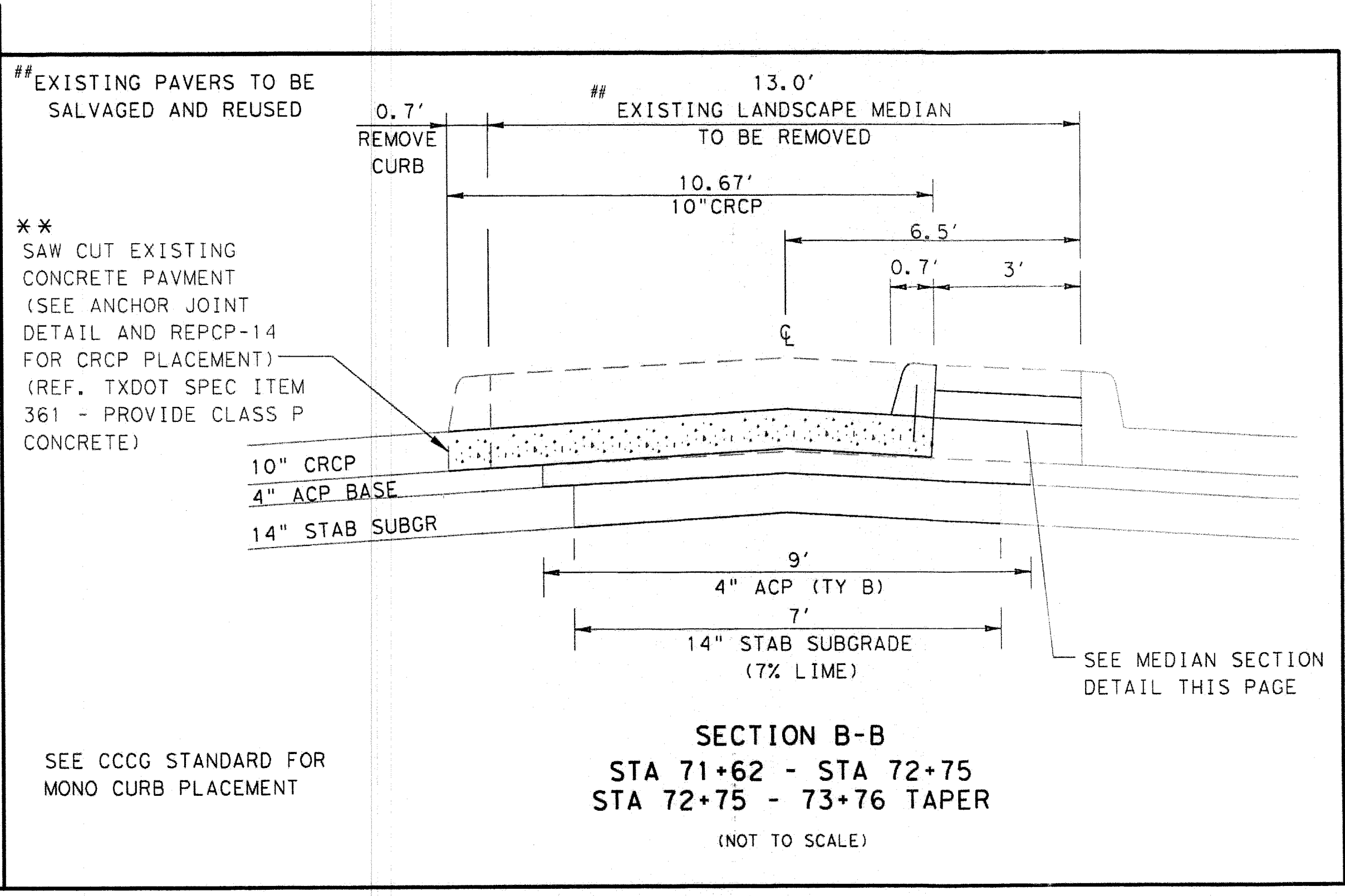
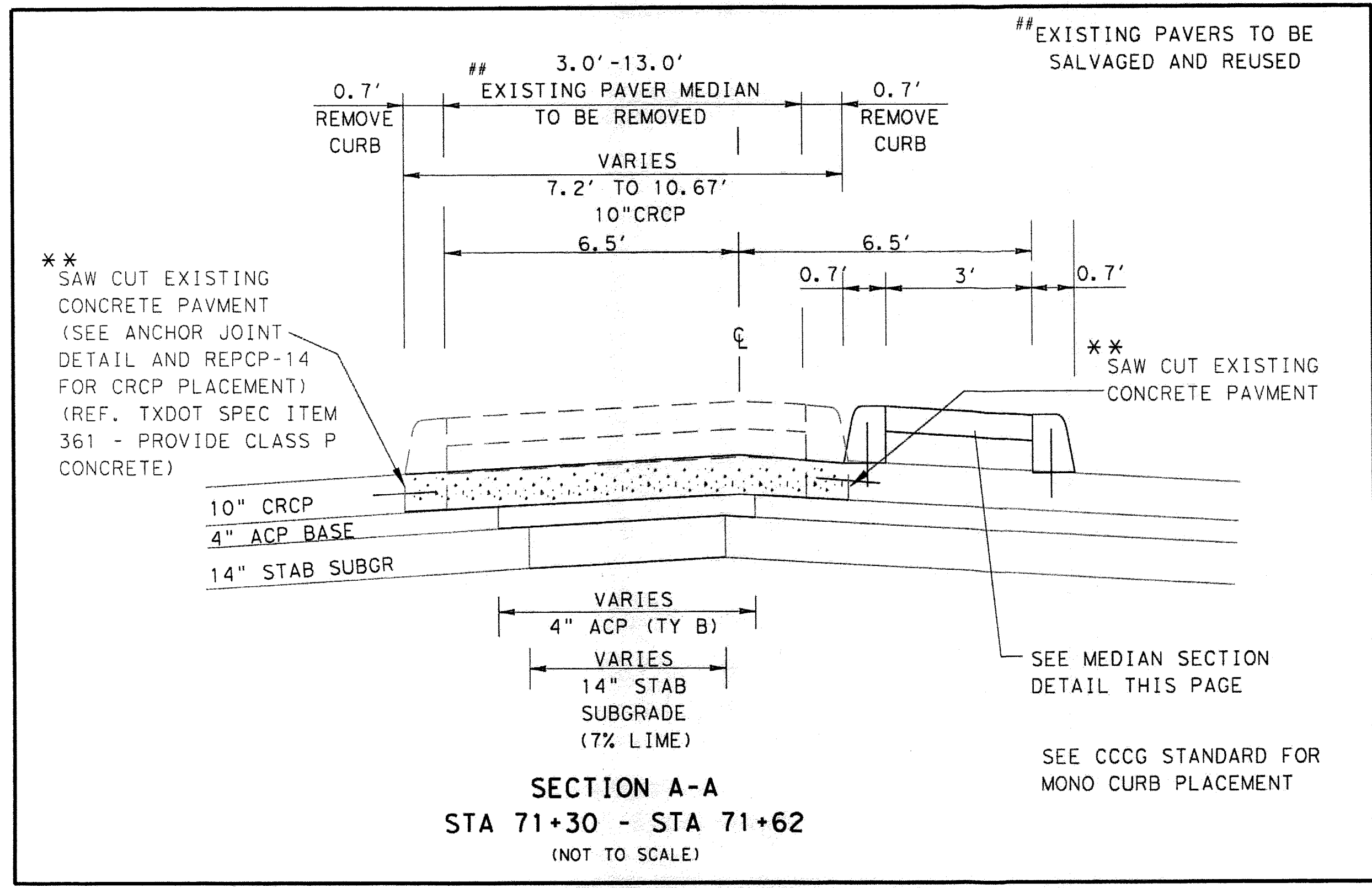
INTERSECTION DETAILS

SHEET NO.
R2

CW ENGINEERING, LLC
305 S. BROADWAY | Suite 403
Tyler, Texas 75702

TBPE Firm Reg. No. 12460

PROJECT NO.
2013-007



FILE: \$FILES\$
DATE: \$DATES\$
TIME: \$TIME\$
DIRECTORY: \$FILES\$