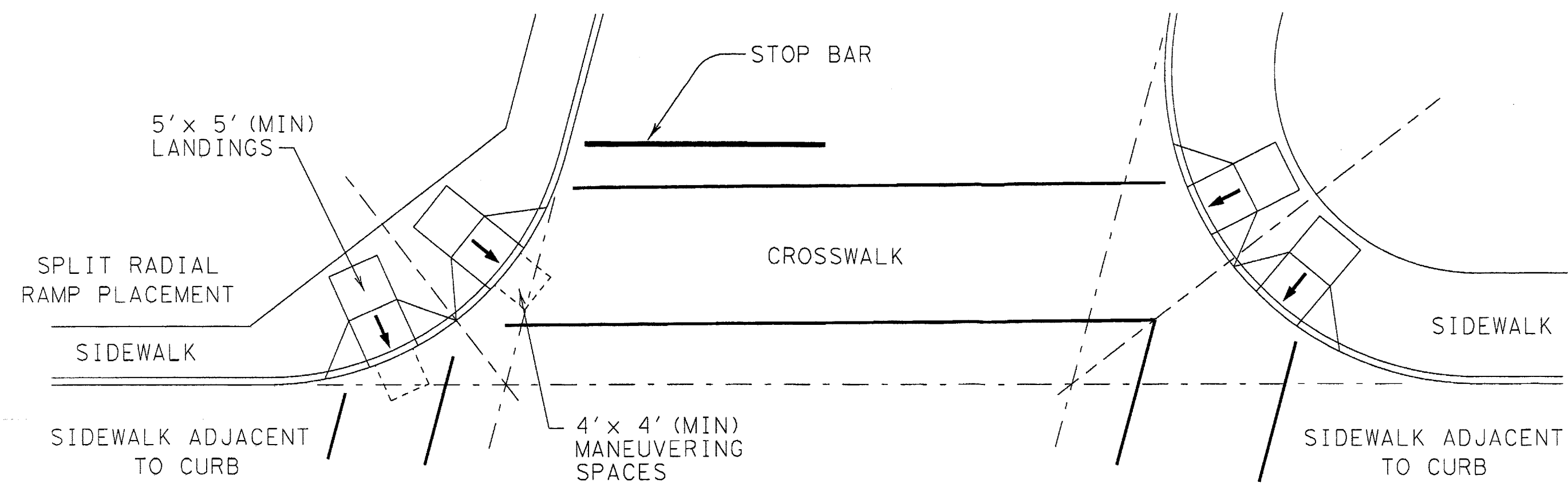
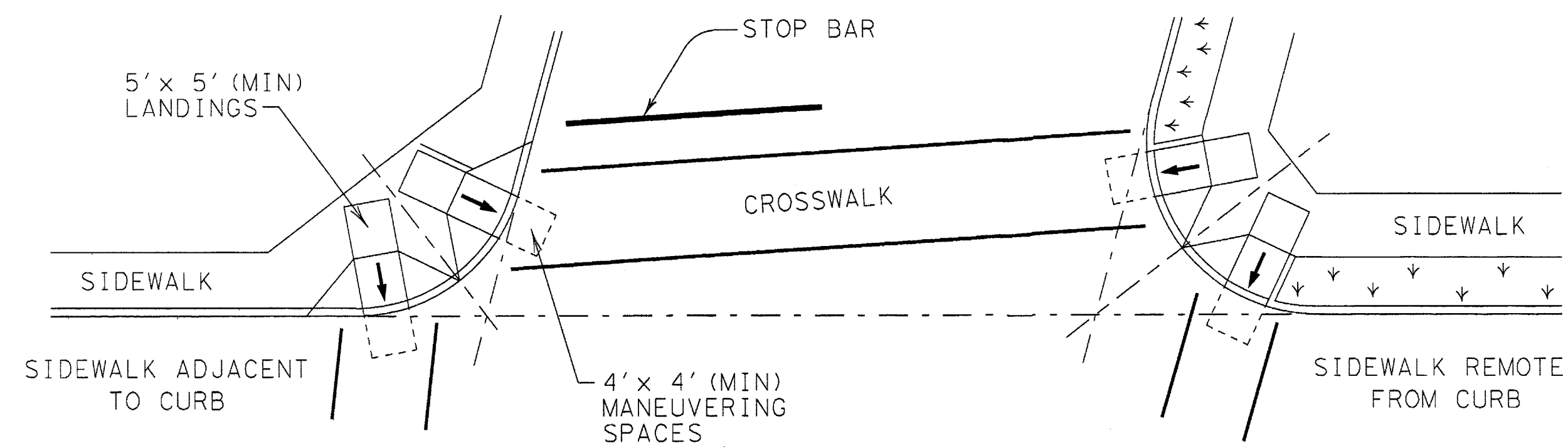


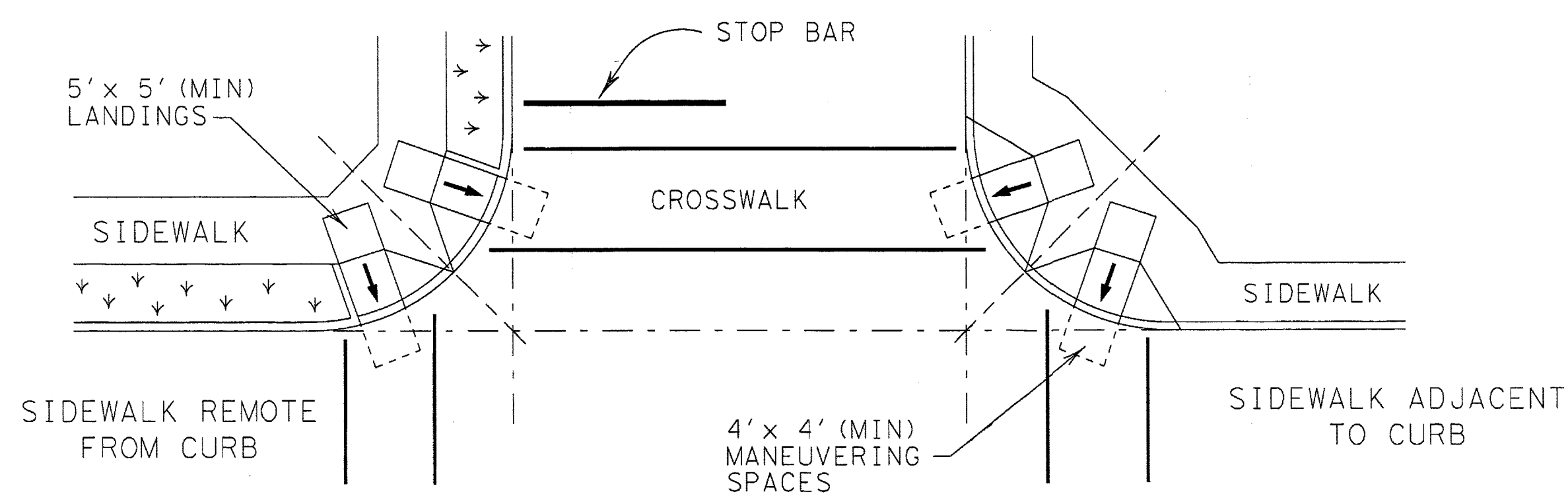
DISCLAIMER: The use of this standard is governed by the "Texas Engineering Practice Act". No warranty of any kind is made by TxDOT for any purpose whatsoever. TxDOT assumes no responsibility for the conversion of this standard to other formats or for incorrect results or damages resulting from its use.



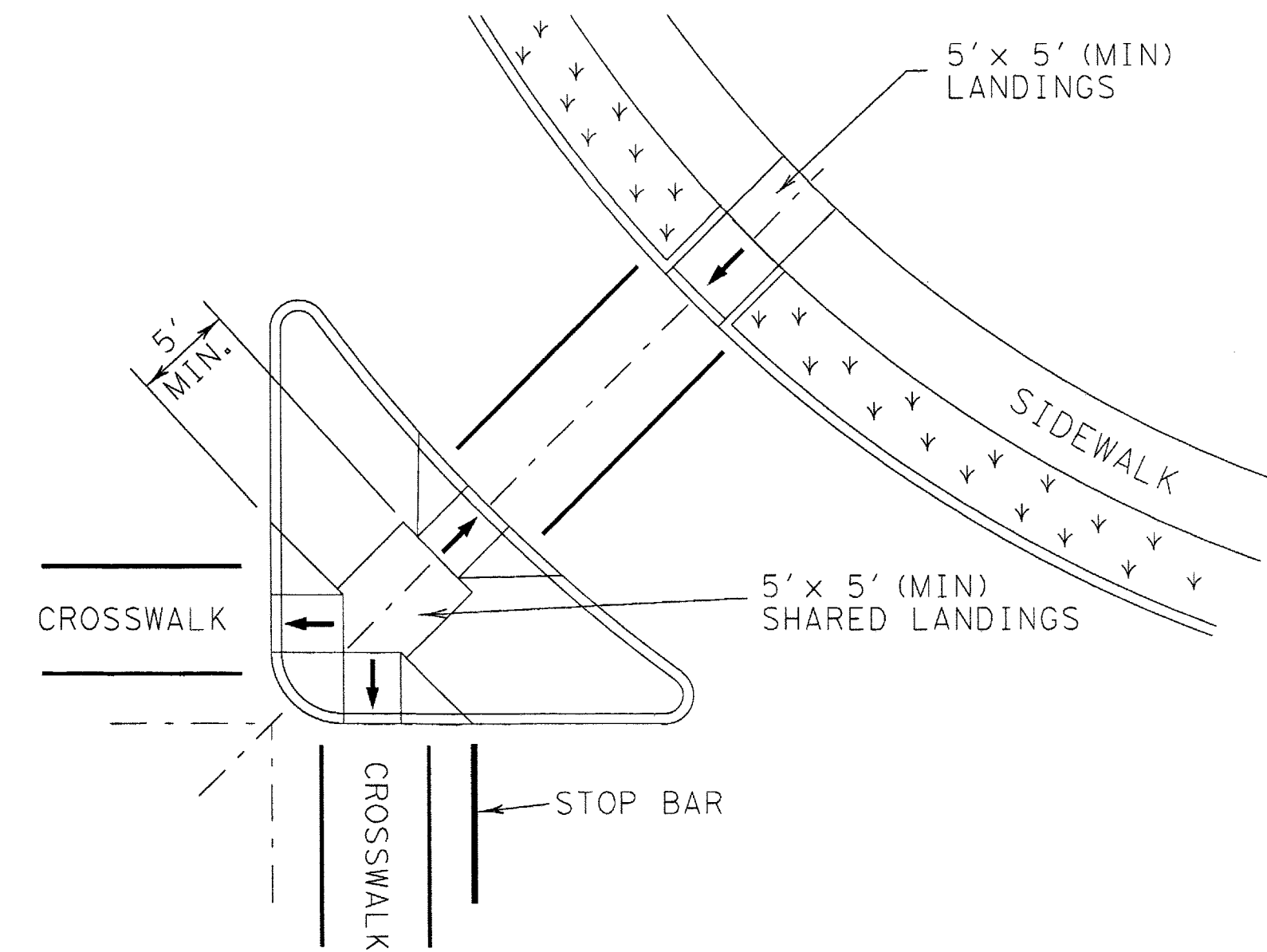
SKewed INTERSECTION WITH "LARGE" RADIUS



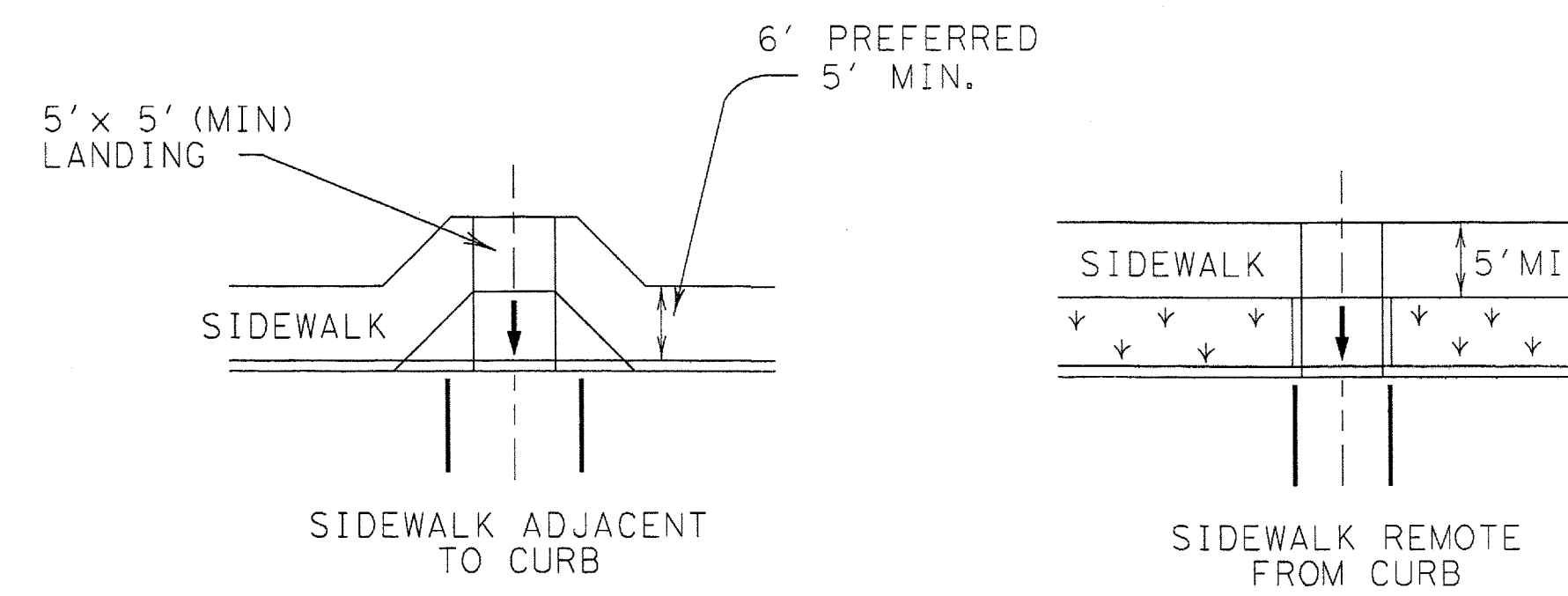
SKewed INTERSECTION WITH "SMALL" RADIUS



NORMAL INTERSECTION WITH "SMALL" RADIUS



AT INTERSECTION W/FREE RIGHT TURN & ISLAND



MID-BLOCK PLACEMENT PERPENDICULAR RAMPS

TYPICAL CROSSING LAYOUTS

PEDESTRIAN FACILITIES CURB RAMPS

PED-12A

FILE: ped12a.dgn	DN: TxDOT	CK: RM	DR: TxDOT	CR: VP
© TxDOT March 2002	CONT	SECT	JOB	HIGHWAY
REVISIONS				
VP June 13, 2012	DIST	COUNTY	SHEET NO.	
			R 11	