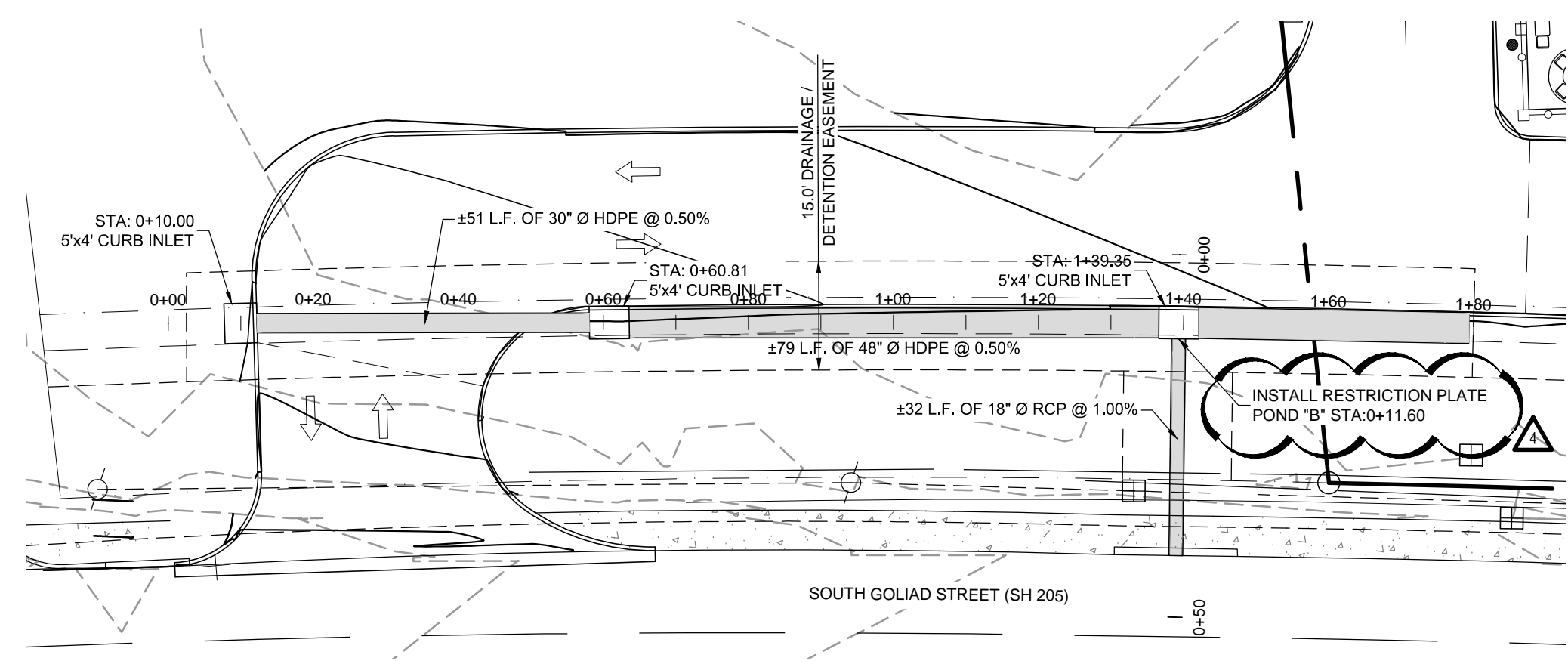
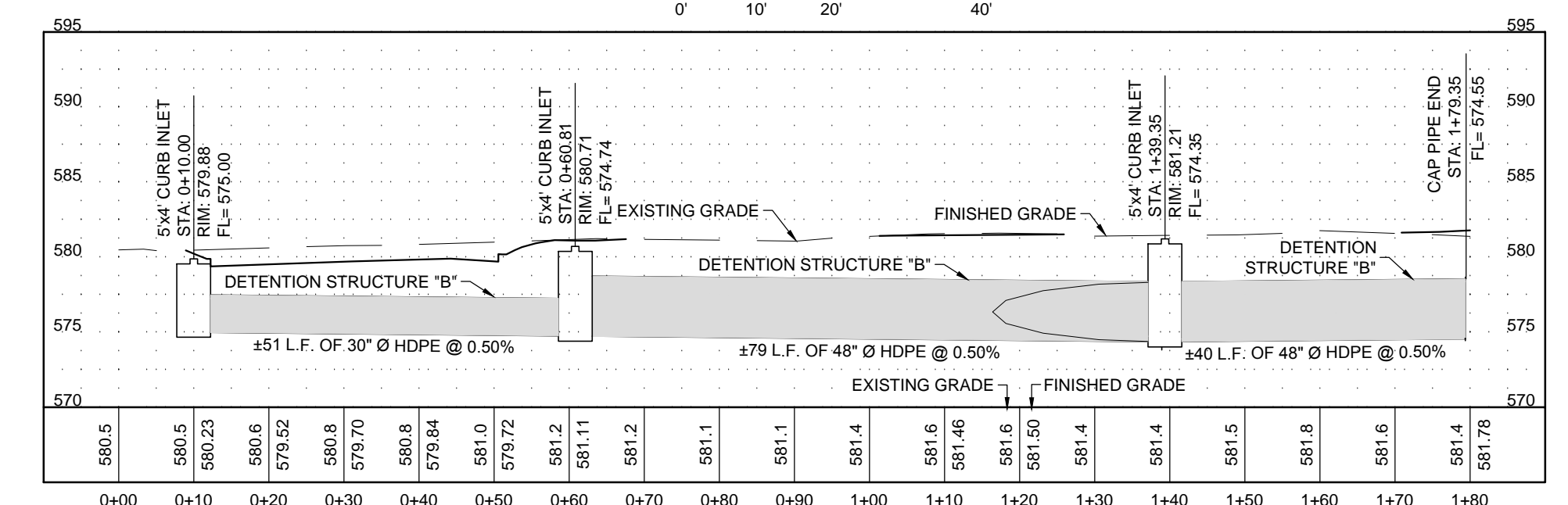


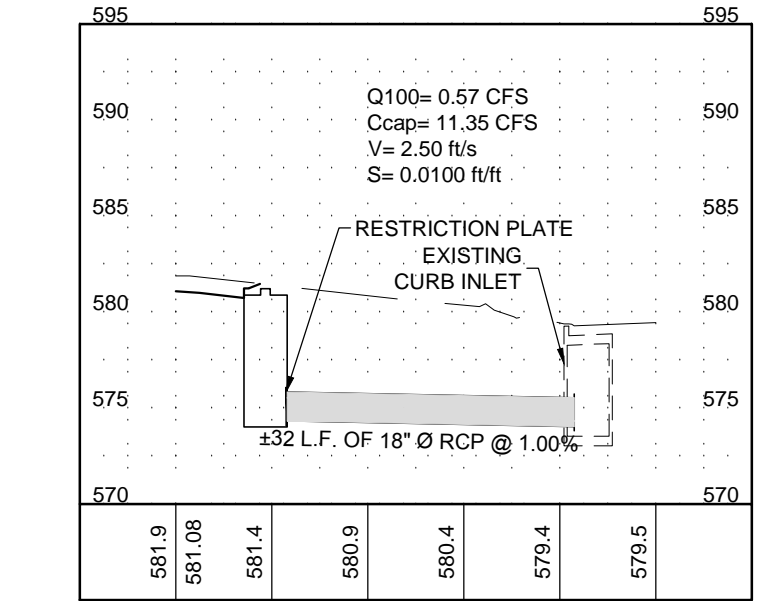
STORM SEWER PLAN
SCALE: 1" = 20'



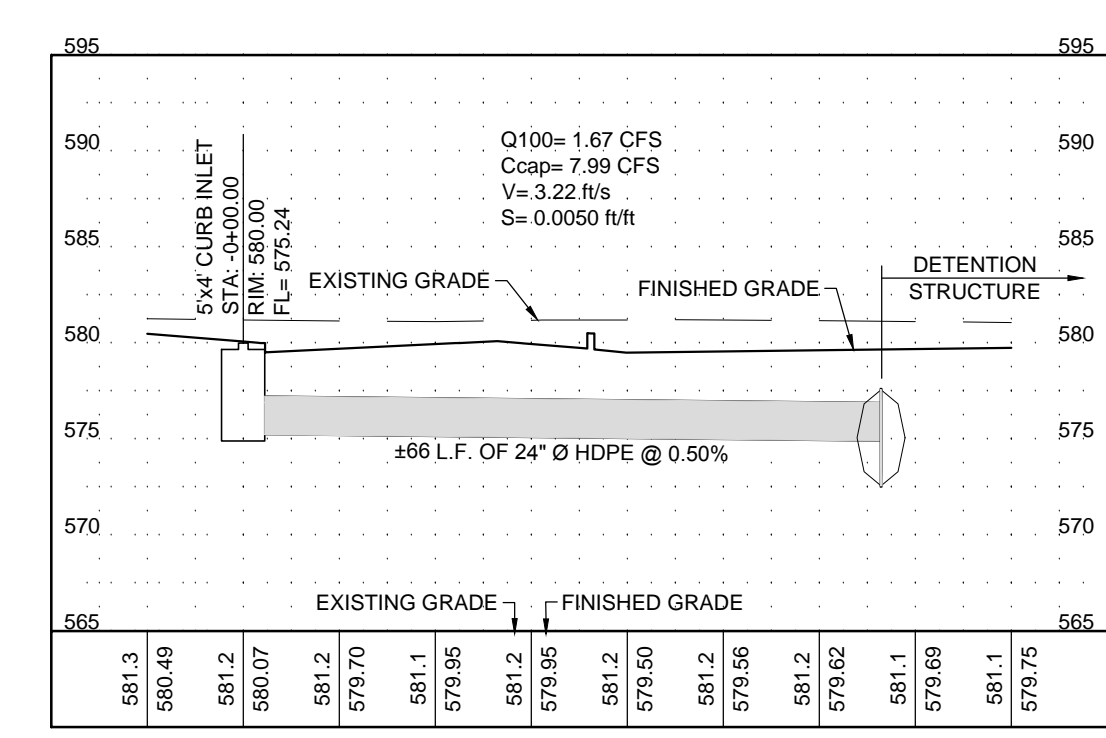
STORM SEWER PLAN
SCALE: 1" = 20'



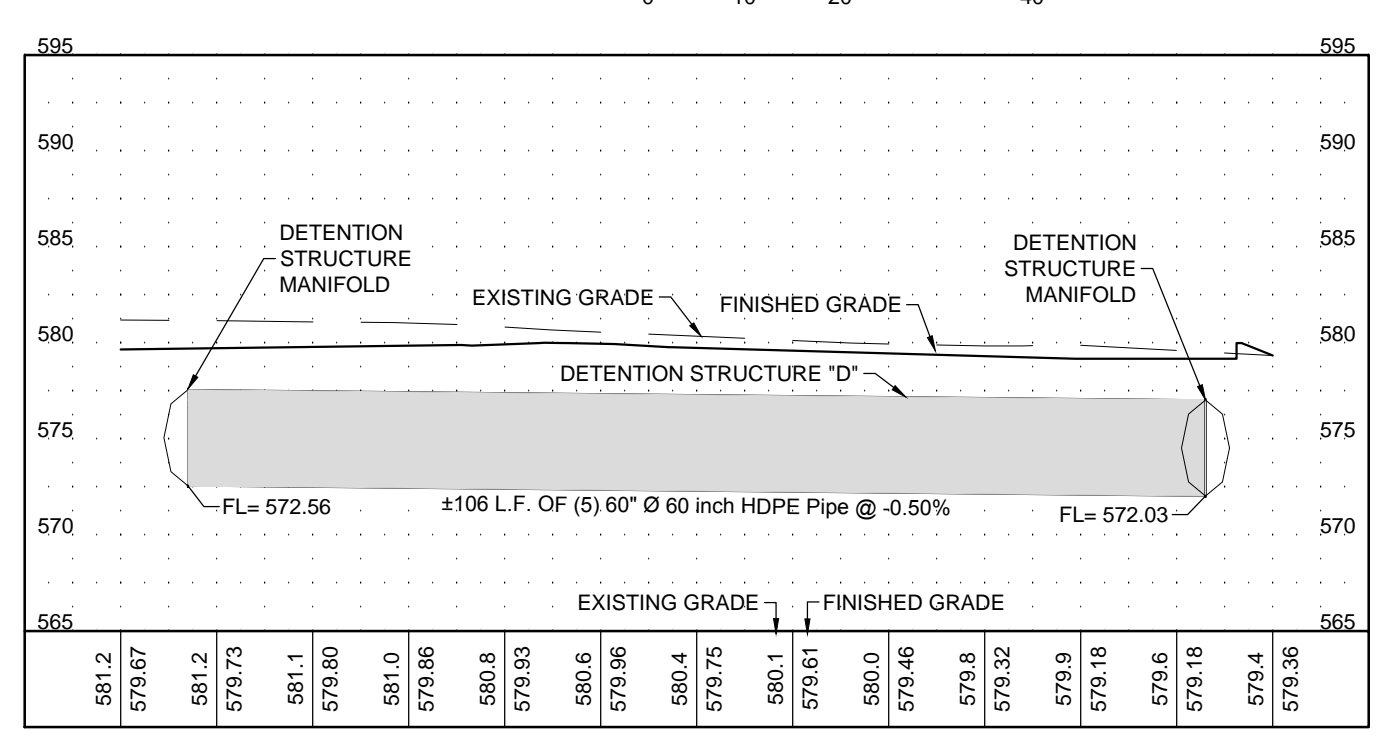
STORM SEWER PROFILE
SCALE: H: 1" = 20' V: 1" = 10'



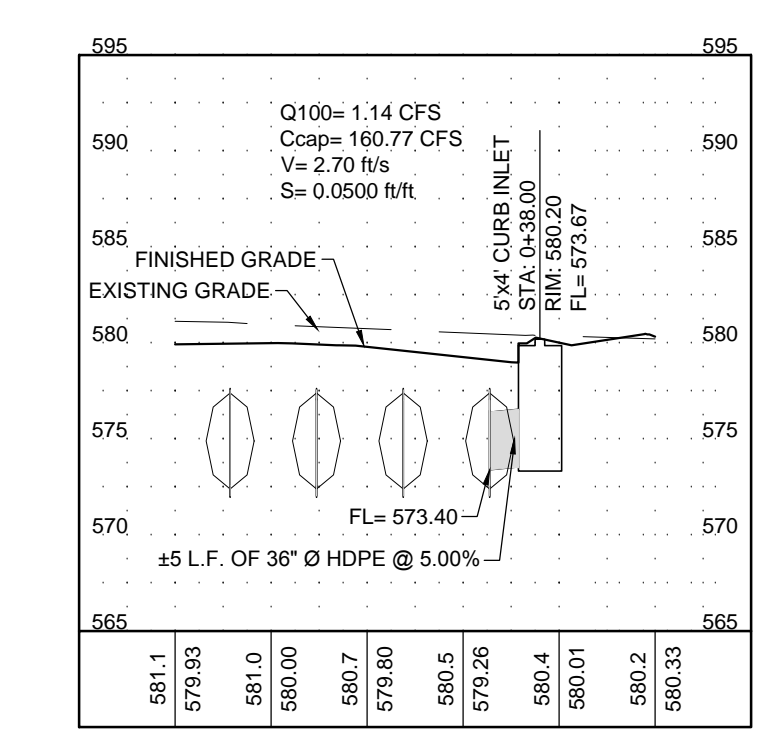
STORM SEWER PROFILE
SCALE: H: 1" = 20' V: 1" = 10'



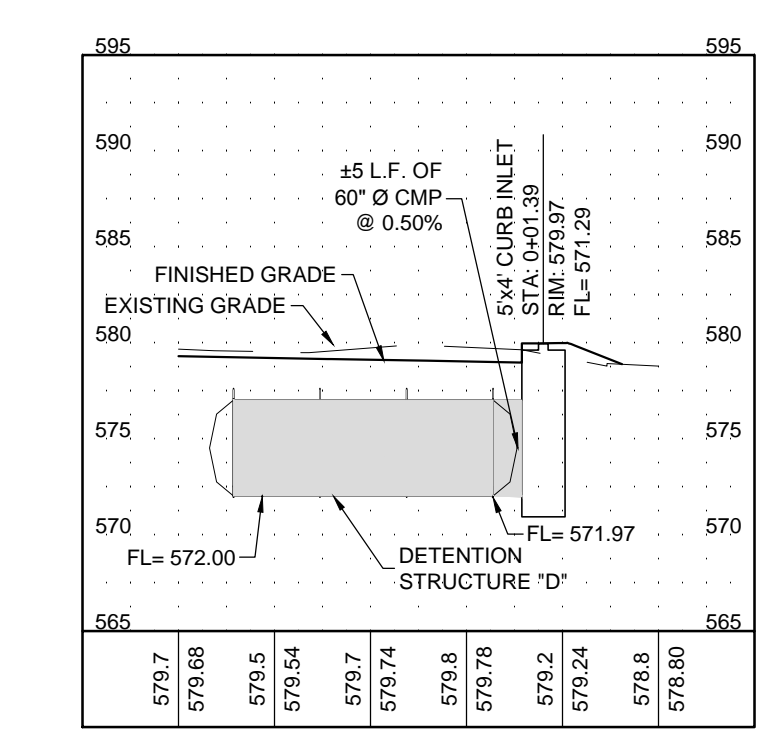
PRIVATE STORM SEWER PROFILE
SCALE: H: 1" = 20' V: 1" = 10'



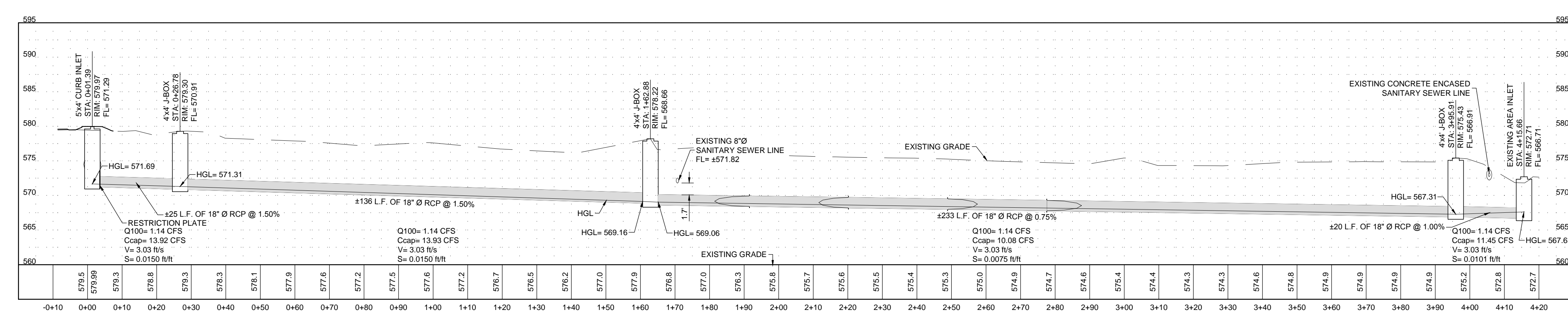
A DETENTION STRUCTURE SECTION
SCALE: H: 1" = 20' V: 1" = 10'



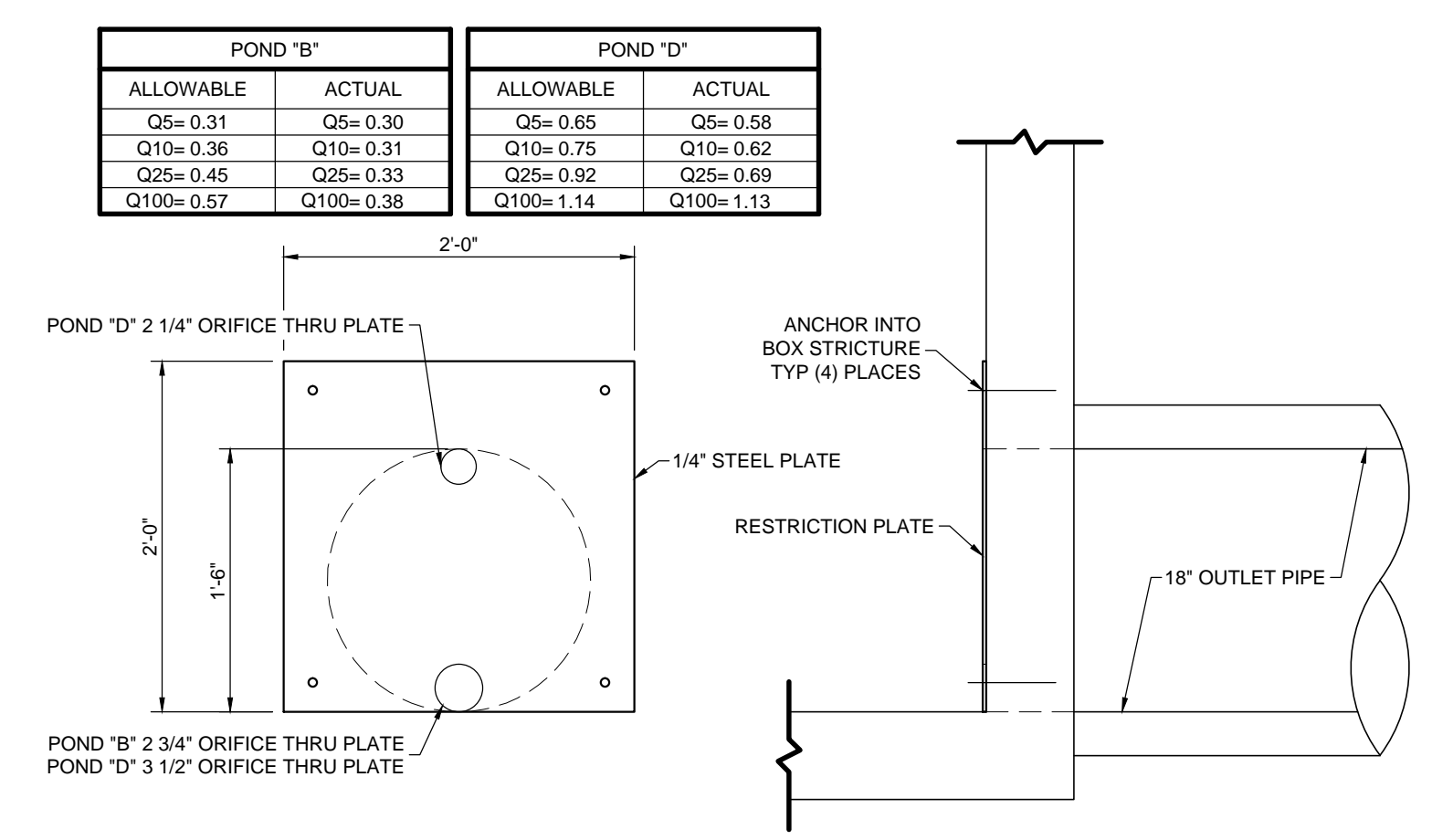
B DETENTION STRUCTURE SECTION
SCALE: H: 1" = 20' V: 1" = 10'



C DETENTION STRUCTURE SECTION
SCALE: H: 1" = 20' V: 1" = 10'



STORM SEWER OUTFALL PROFILE
SCALE: H: 1" = 20' V: 1" = 10'



RESTRICTION PLATE DETAIL
SCALE: N.T.S.

| POND 'B' | | POND 'D' | |
|-----------|-----------|-----------|-----------|
| ALLOWABLE | ACTUAL | ALLOWABLE | ACTUAL |
| Q5=0.31 | Q5=0.30 | Q5=0.65 | Q5=0.58 |
| Q10=0.36 | Q10=0.31 | Q10=0.75 | Q10=0.62 |
| Q25=0.45 | Q25=0.33 | Q25=0.92 | Q25=0.69 |
| Q100=0.57 | Q100=0.38 | Q100=1.14 | Q100=1.13 |

P. O. Box 5300
TYLER TX 75712
T 903.877.4128
F 903.877.4449
www.layconstruct.com

LAY
DESIGN / BUILD

ALL DRAWINGS AND WRITTEN MATERIAL APPEARING HEREIN CONSTITUTE ORIGINAL AND UNPUBLISHED WORK OF THE DESIGNER. ANY REPRODUCTION, COPIING, OR USE OF SUCH DRAWINGS WITHOUT WRITTEN CONSENT OF THE DESIGNER IS PROHIBITED.

© 2014 LAY CONSTRUCTION, LLC. ALL RIGHTS RESERVED.

TOTAL ENGINEERING SERVICES LLC
103 COMMUNITY BLVD.
LONGVIEW, TX 75605
903.212.2856
te-services.com

TPE FIRM 13533

STATE OF TEXAS
REGISTERED PROFESSIONAL ENGINEER
CHARLES A. THOMSON
88659

ADQ
Restaurant
AMERICAN DAIRY QUEEN
MINNEAPOLIS, MN U.S.A.
REGISTERED U.S. PATENT OFFICE.
AMERICAN DAIRY QUEEN CORPORATION. THIS DRAWING, ITS DESIGN, DETAIL AND INVENTION ARE THE PROPERTY OF AMERICAN DAIRY QUEEN INC. (ADQ) AND SHALL NOT BE COPIED IN ANY MANNER NOR DISCLOSED TO ANY OUTSIDE PARTY WITHOUT ADQ CONSENT.

BUILDING TYPE:
DAIRY QUEEN
TEXAS

NEW BUILDING
DAIRY QUEEN
1801 SOUTH GOLIAD STREET
ROCKWALL, TEXAS 75087

| REVISIONS | |
|-----------|------------|
| NO. | DATE |
| 1 | 10-15-2014 |
| 2 | 01-07-2015 |
| 3 | 01-23-2015 |
| 4 | 02-10-2015 |

DATE:
08/27/2014

PROJECT NO.
LAY 1002

SHEET NO.
C5.0

ISSUED FOR CITY REVIEW
STORM SEWER PLAN
AND PROFILE

RECORD DRAWING

SP 2014-018

File Name: P:\LAY\14002_LAY Construction - 00 Rockwall TROCKWALL 14.002_GROUNDING (PVA).dwg Printed: 2/10/2015 2:28:45 PM
Copyright © 2011, TOTAL ENGINEERING SERVICES, LLC