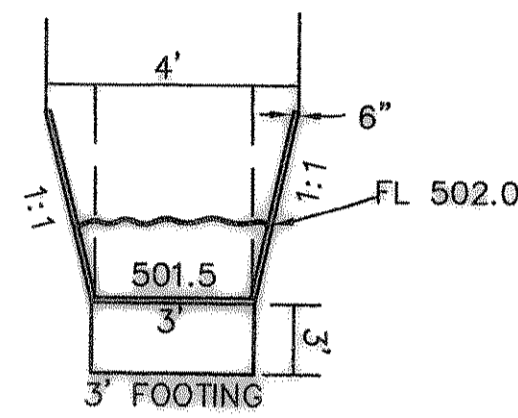
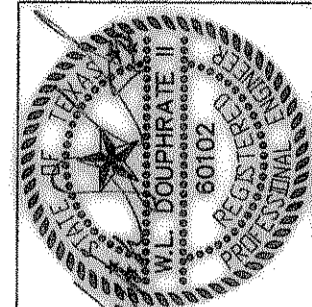
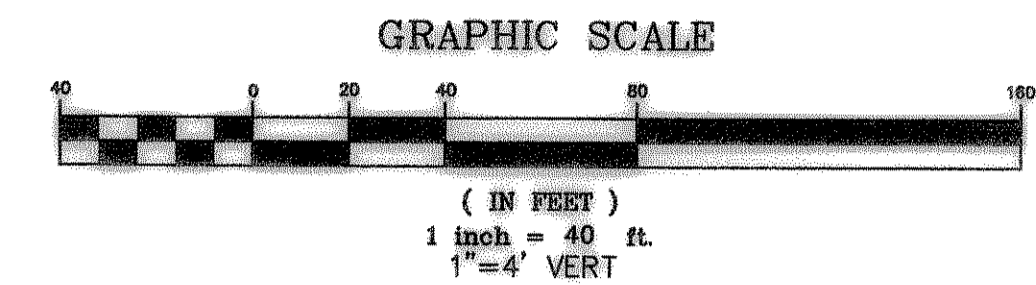
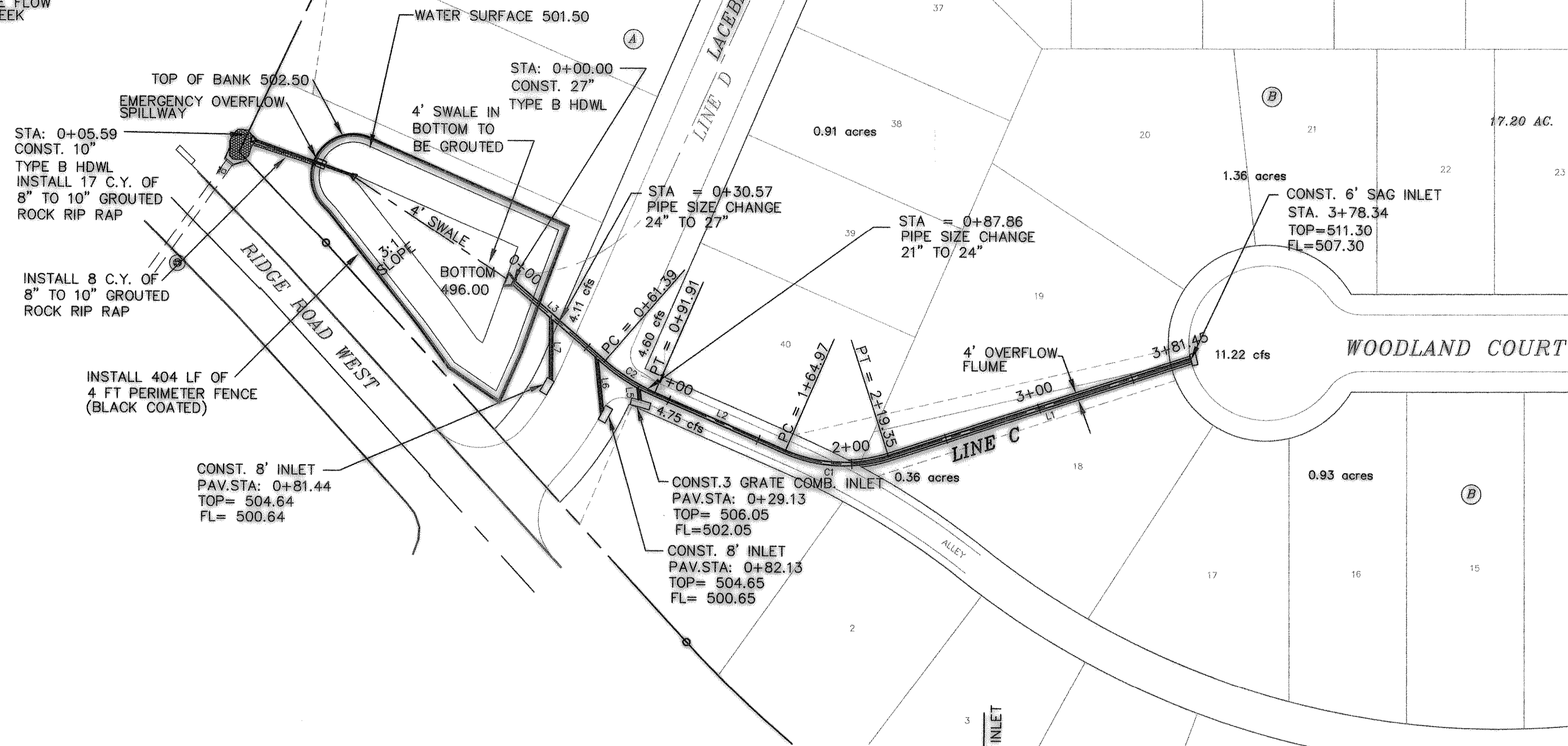


EMERGENCY OVERFLOW SPILLWAY SECTION
(NTS)



NOTE:
3' FOOTING ON DOWNSTREAM &
UPSTREAM OF PROPOSED OVERFLOW

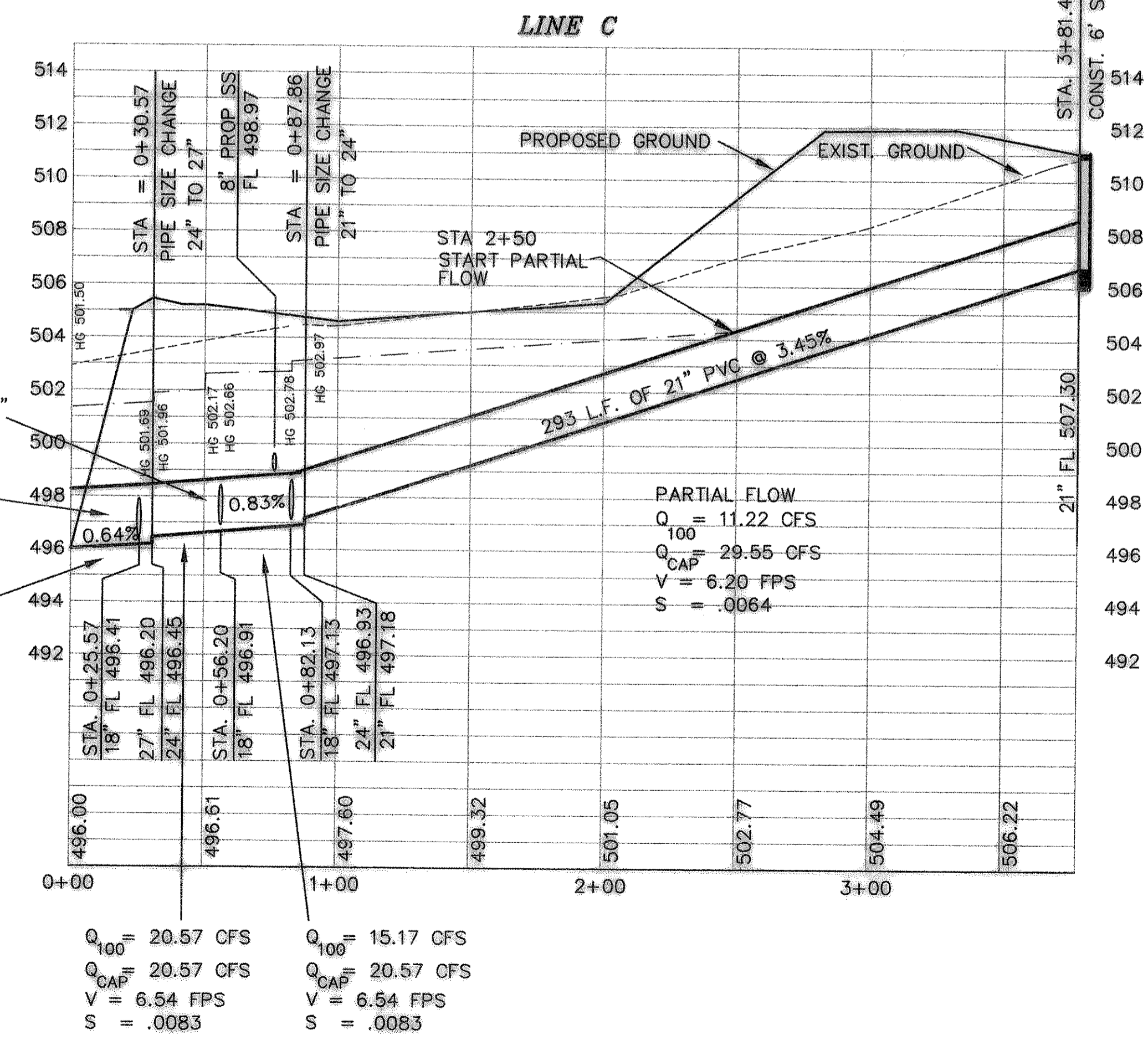
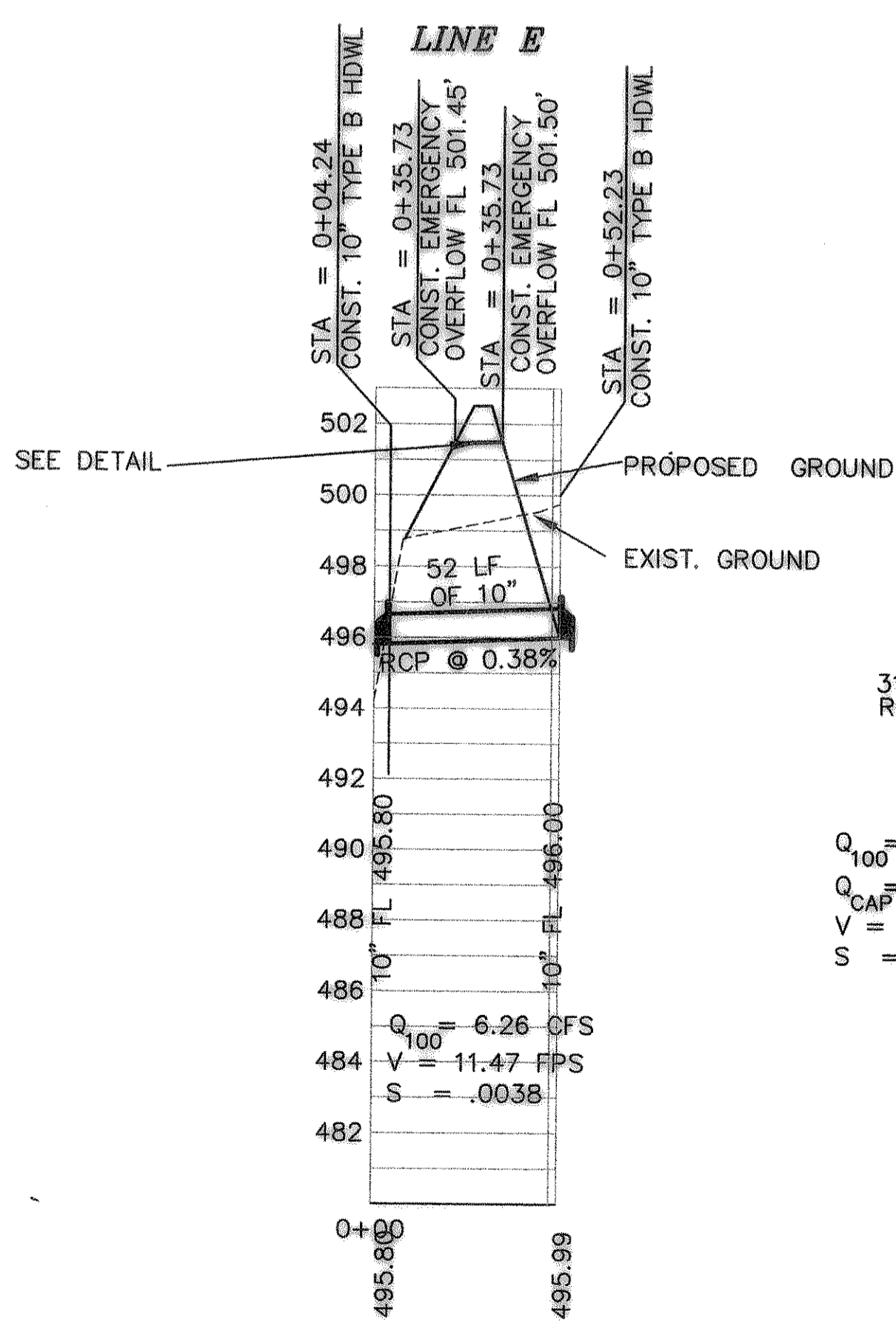


THE SEAL APPEARING ON THIS DOCUMENT WAS AUTHORIZED BY W.L. DOUPHRATE II, TEXAS P.E. NO. 80102 ON 7/19/00

DOUPHRATE & ASSOCIATES, INC.
ENGINEERING • PROJECT MANAGEMENT • SURVEYING
22831 RIDGE RD., # 200 ROCKWALL, TEXAS 75087
PHONE: (972)771-9004 FAX: (972)771-9005

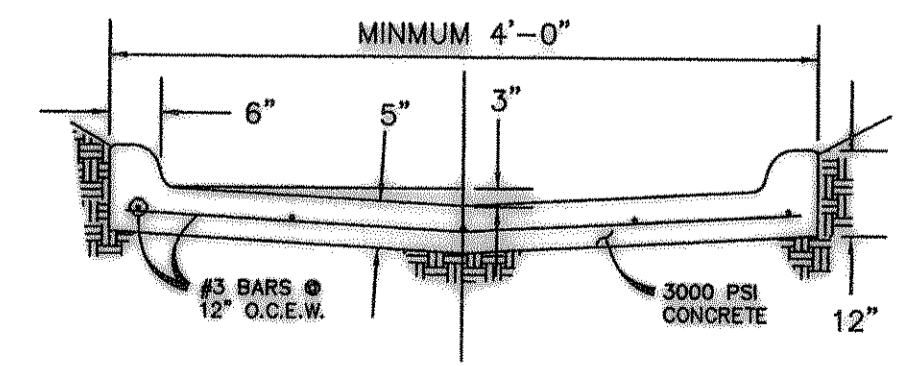
RECORD DRAWINGS:
THE INTENT OF THE OWNER AND ENGINEER WAS TO CONSTRUCT THESE FACILITIES ACCORDING TO THESE PLANS AS APPROVED BY THE CITY OF _____ THE LINES AND GRADES WERE SET ON THE GROUND FOR CONSTRUCTION ACCORDING TO SAID PLANS. THE CITY OF _____ INSPECTED THE CONSTRUCTION. THE OWNER NOR ENGINEER DID NOT VERIFY LINES OR GRADES AFTER CONSTRUCTION. WE ARE NOT AWARE OF ANY CHANGES OR REVISIONS TO THESE PLANS DURING CONSTRUCTION EXCEPT AS NOTED

POND CALCULATIONS SEE CHART SHEET
NOTE:
1. THE OUTER BANKS OF DETENTION POND WILL BE A SLOPE OF 3:1 UNTIL THE GROUND MEETS EXISTING GROUND. AS PER CITY ENGINEER OF ROCKWALL, THE CONTRACTOR MAY GRADE ONLY 2 FEET INTO THE RIDGE ROAD WEST RIGHT-OF-WAY.



CURVE TABLE						
CURVE	LENGTH	RADIUS	TANGENT	CH BRC	CH DIST	DELTA
C1	54.38	75.16	28.44	S87°26'47"E	53.20	41°27'24"
C2	30.82	100.00	15.38	S57°56'37"E	30.41	17°29'21"

LINE TABLE		
LINE	LENGTH	BEARING
L1	182.11'	S71°46'44"W
L2	73.05'	N66°40'18"W
L3	61.39'	N49°10'57"W
L4	7.23'	N06°40'18"W
L5	29.31'	N06°01'01"W
L6	32.56'	S00°03'15"E



STORM SEWER PLAN & PROFILE
LINES C & E
CREEKSIDE VILLAGE, PHASE II
CITY OF ROCKWALL, ROCKWALL COUNTY, TEXAS

REVISION
W.L.D. CHECKED
AL.W. DRAWN
4/7/00 DATE
9960 STM2 PROJECT