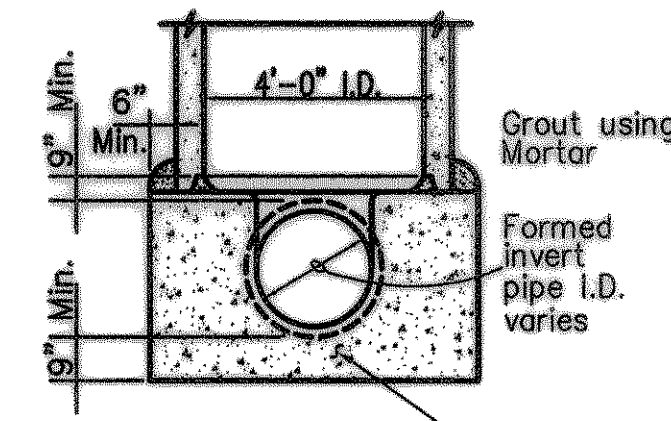
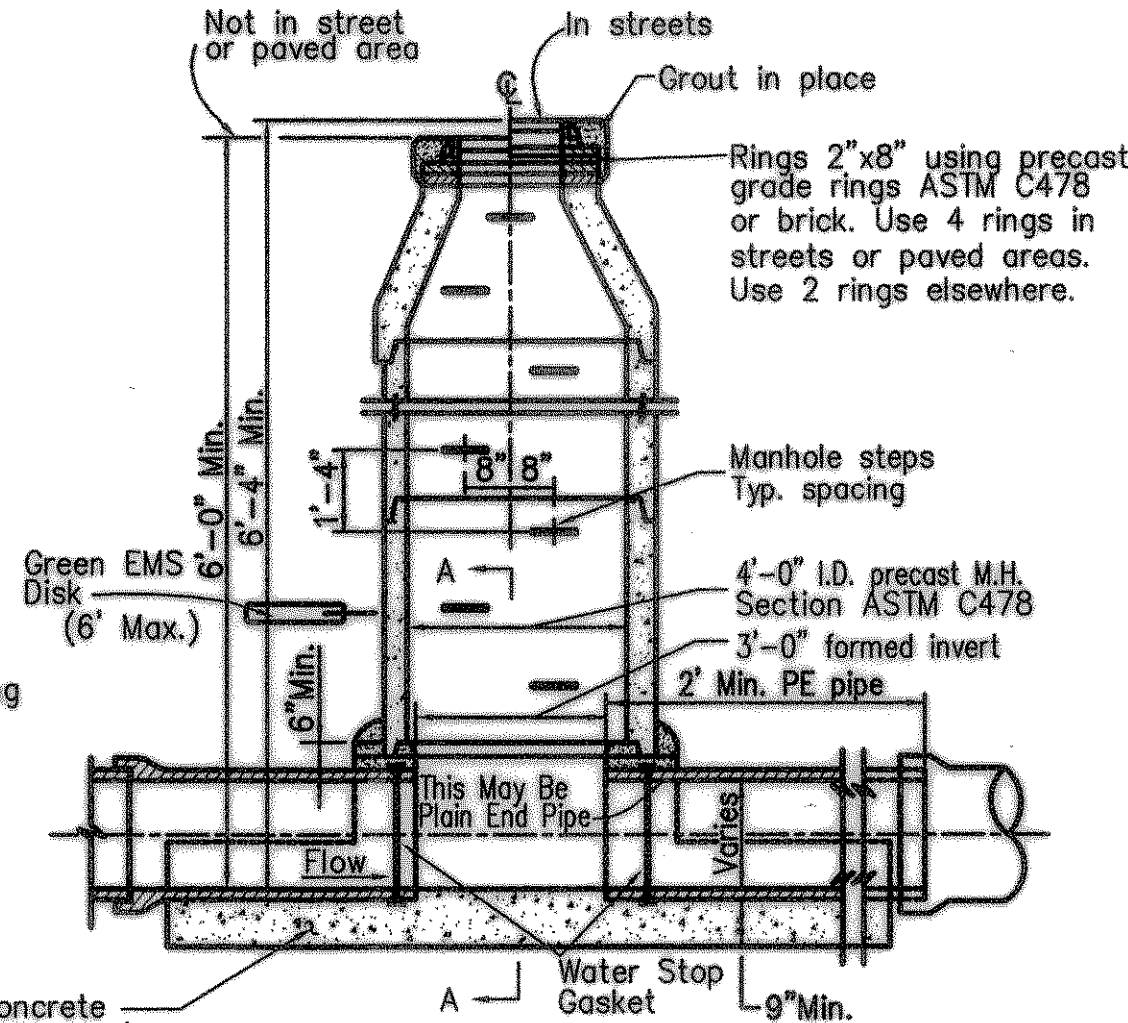


SECTION C-C

Note: Cast in place manhole shall be similar in shape and dimensions as shown. Applicable cast-in-place details shall be approved by the City. Top part of manhole may be eccentric when approved by the City. Manhole steps to be spaced vertically at 16" center/center and stagger same. Concrete above base (foundation) to be 4000 PSI class. See specifications for more details.



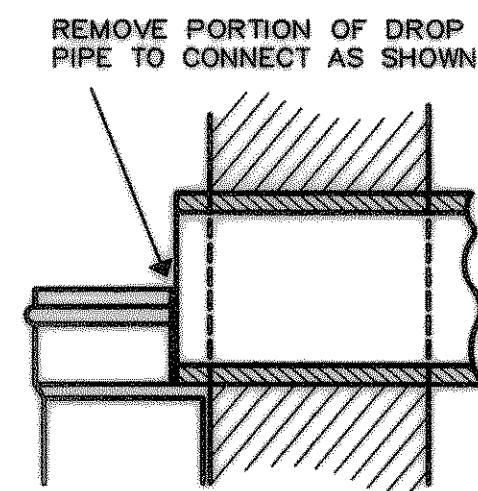
SECTION A-A



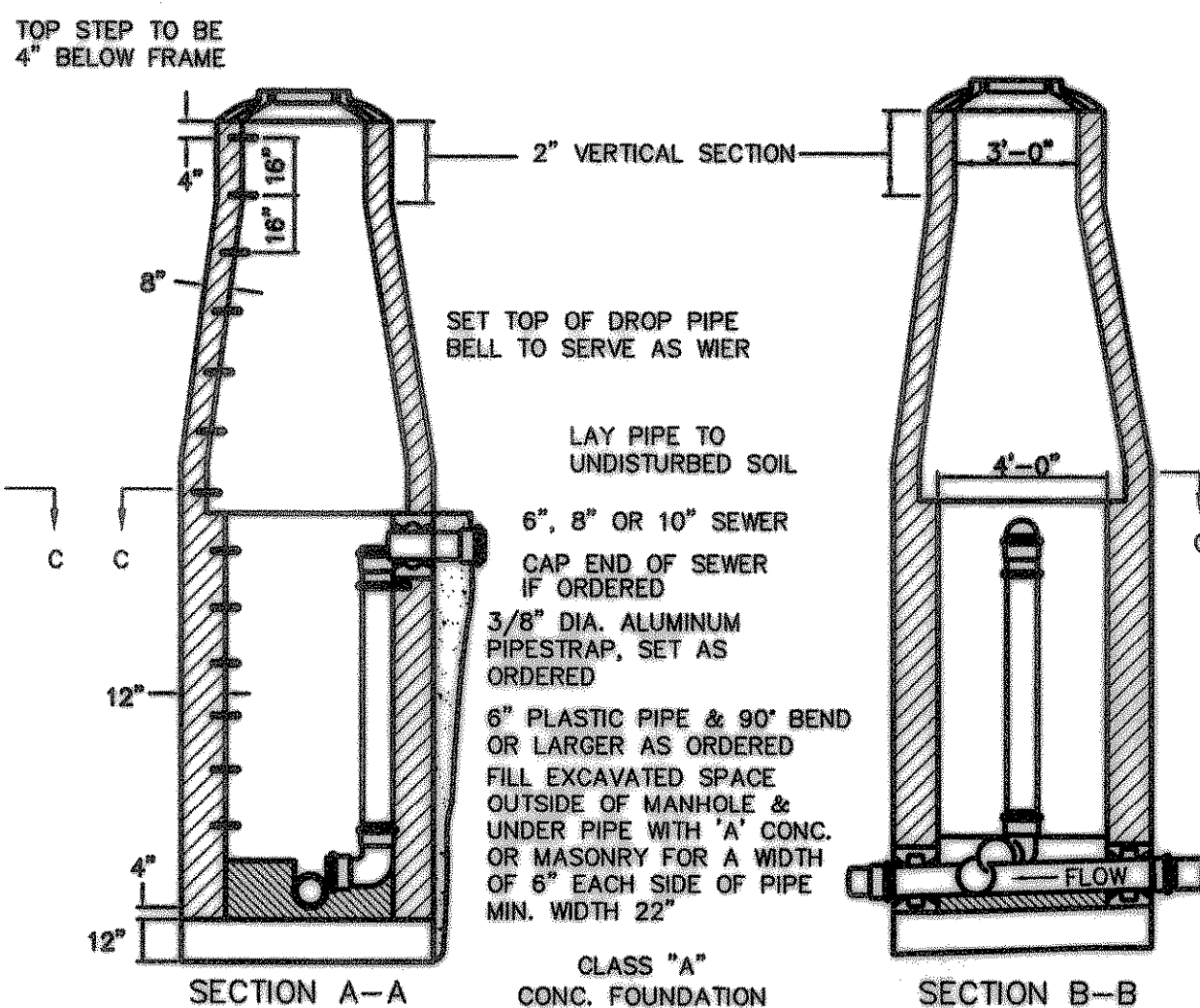
SECTION THRU PRE-CAST CONCRETE MANHOLE

TYPICAL DETAILS PRE-CAST CONCRETE MANHOLE

(Depths Not Less Than 6 Feet)
See Note For Cast-In-Place Manhole



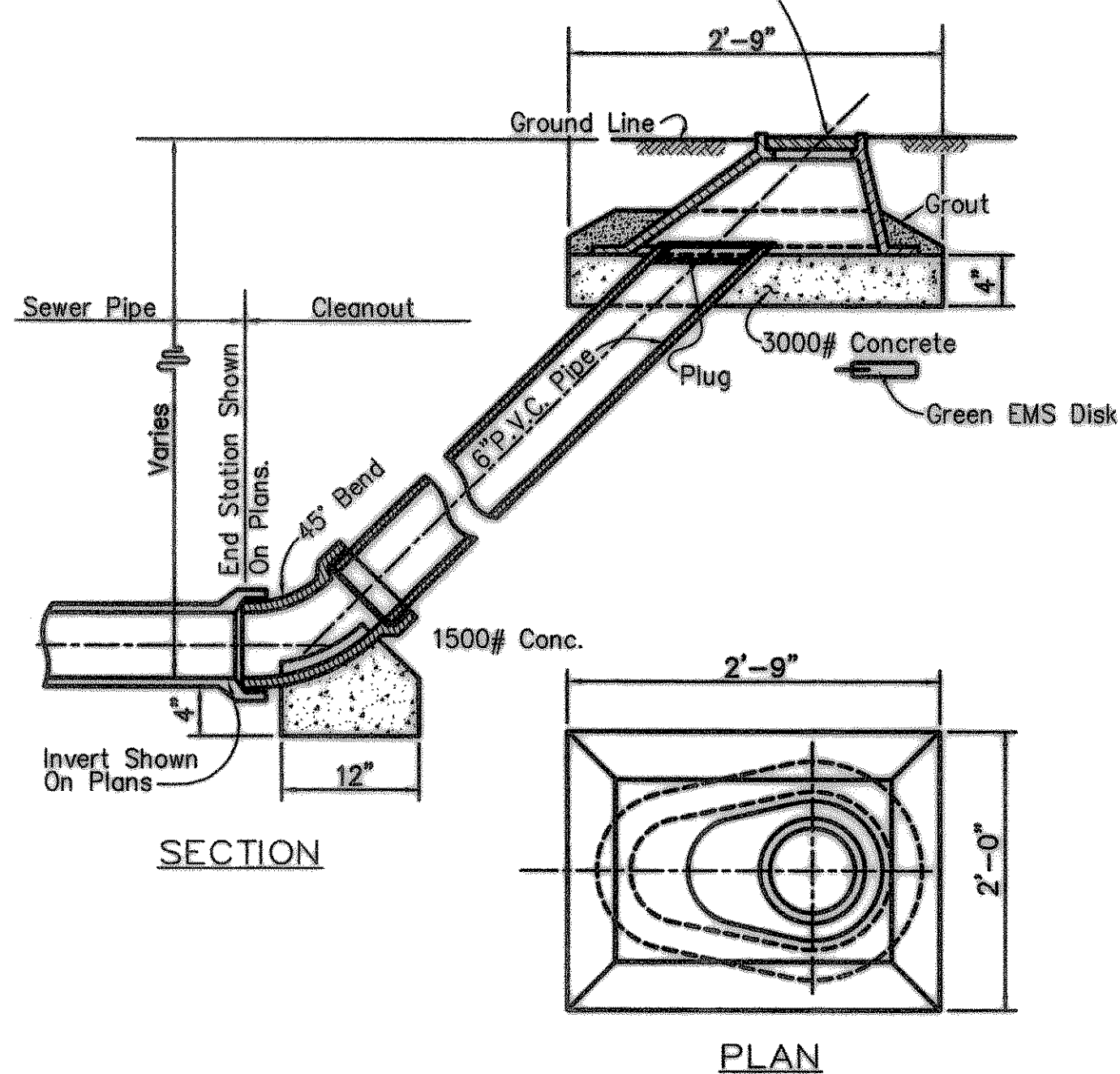
WEIR DETAIL



INSIDE DROP CONNECTION MANHOLE

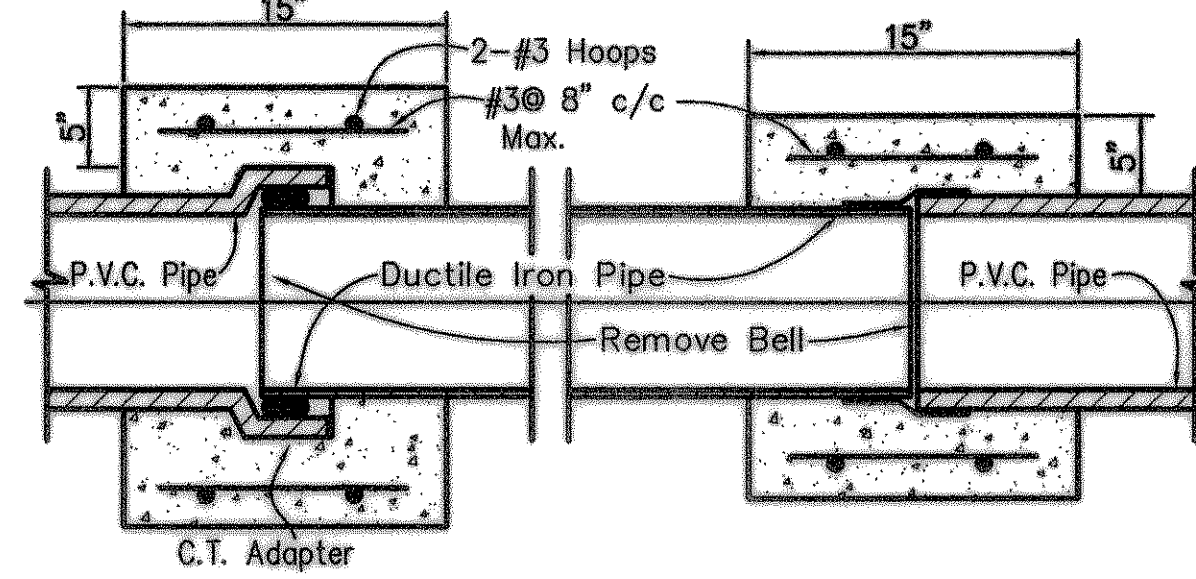
Not To Scale

Cast Iron Sewer Cleanout, Type Trinity Vally, Pattern 1684 Or Equal.

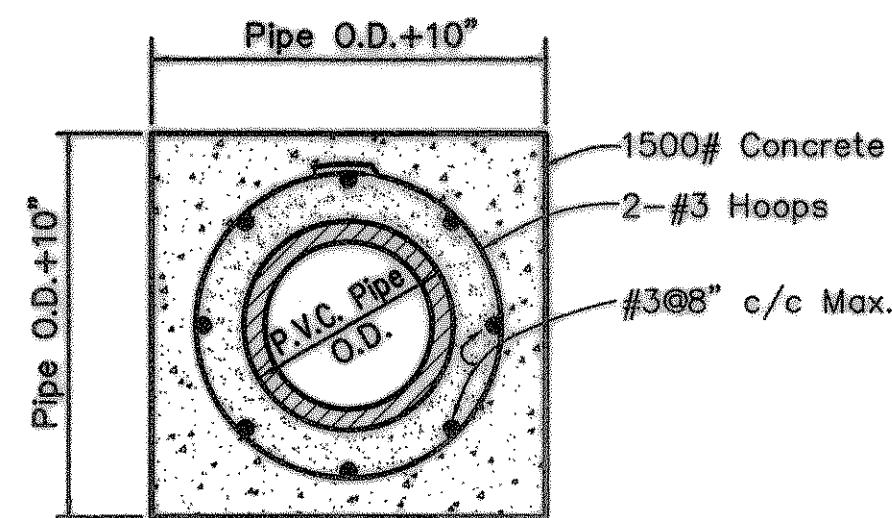


SEWER CLEANOUT

Not To Scale



LONGITUDINAL SECTION



CROSS SECTION

DETAIL - CONCRETE PIPE COLLARS

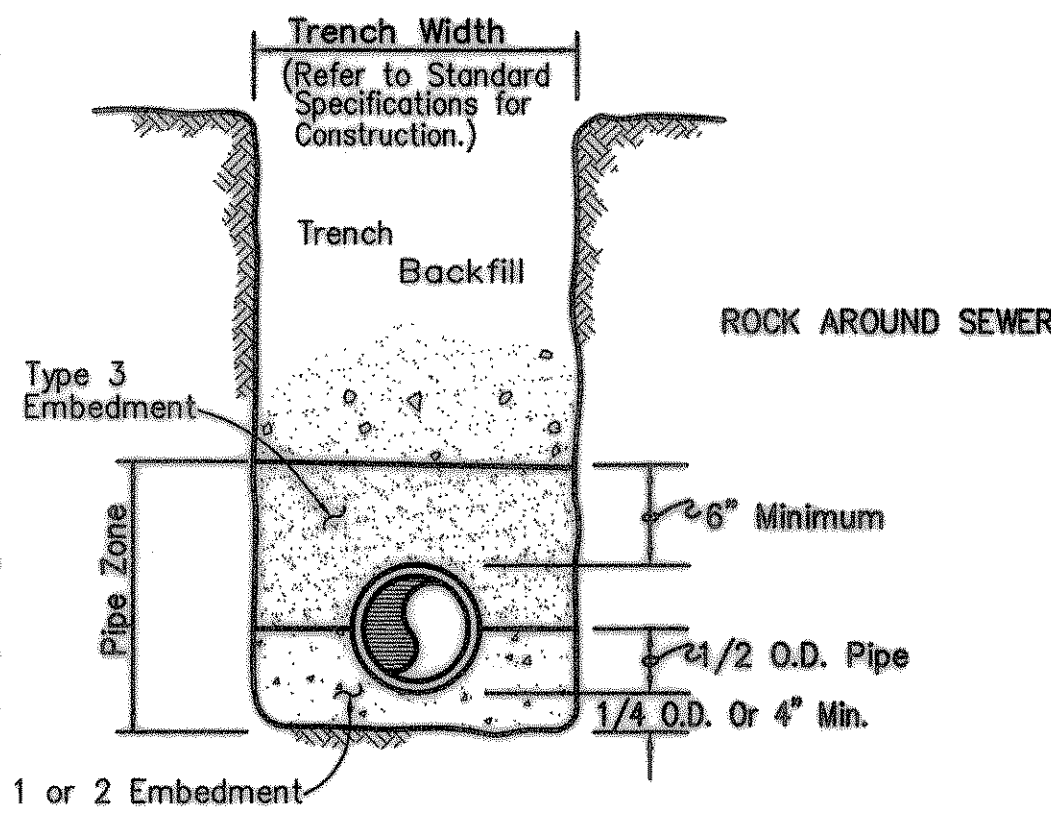
Not To Scale

CRUSHED LIMESTONE, TYPE 1, EMBEDMENT: Crushed limestone shall consist of durable particles of crushed stone ranging in size from 3/4" to 1/4" with percent of wear not exceeding 35%. The gradation based on ASTM D448 size 67 use as follows:

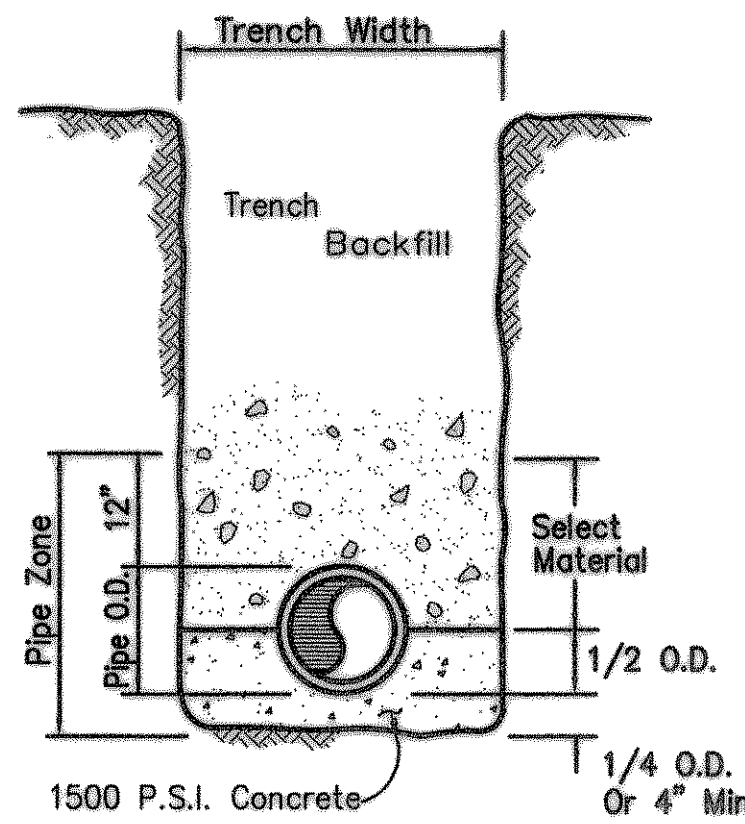
| Sieve Size | % By Weight Passing |
|------------|---------------------|
| 1" | 100 |
| 3/4" | 90 - 100 |
| 3/8" | 20 - 55 |
| No.4 | 0 - 10 |
| No.8 | 0 - 5 |

GRAVEL, TYPE 2, EMBEDMENT: Gravel for embedment and/or encasement shall be washed gravel ranging in size from 3/4" diameter to 1/4" inch diameter meeting the requirements of ASTM designation C33, Gradation 67. The material shall be free from clay and organic material.

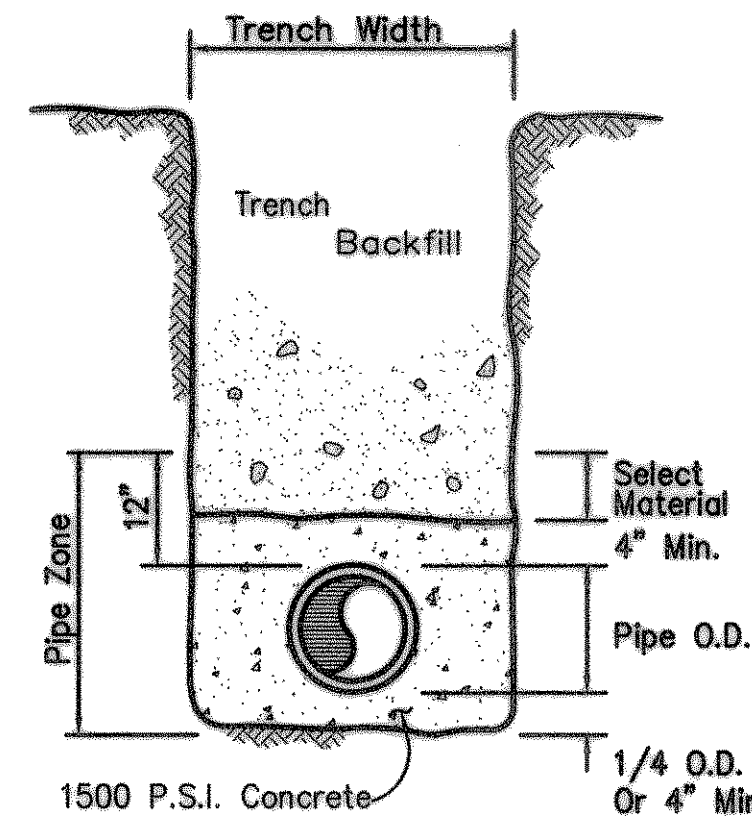
GRANULAR, TYPE 3, EMBEDMENT: Pit run granular embedment material shall be free flowing sand or mixed sand and pea gravel free from large stones, clay and organic material. The material may be an inferior grade of pit run or blow sand not normally considered satisfactory for concrete aggregate and may be used directly from pits without processing, provided it complies with the qualities described herein. The material shall be such that when wet it will not form a mud ball or tend to cling together. The material shall have 100% passing one inch (1") sieve and the plasticity index of that part passing the sieve is obtained from the City.



PIPE EMBEDMENT DETAIL



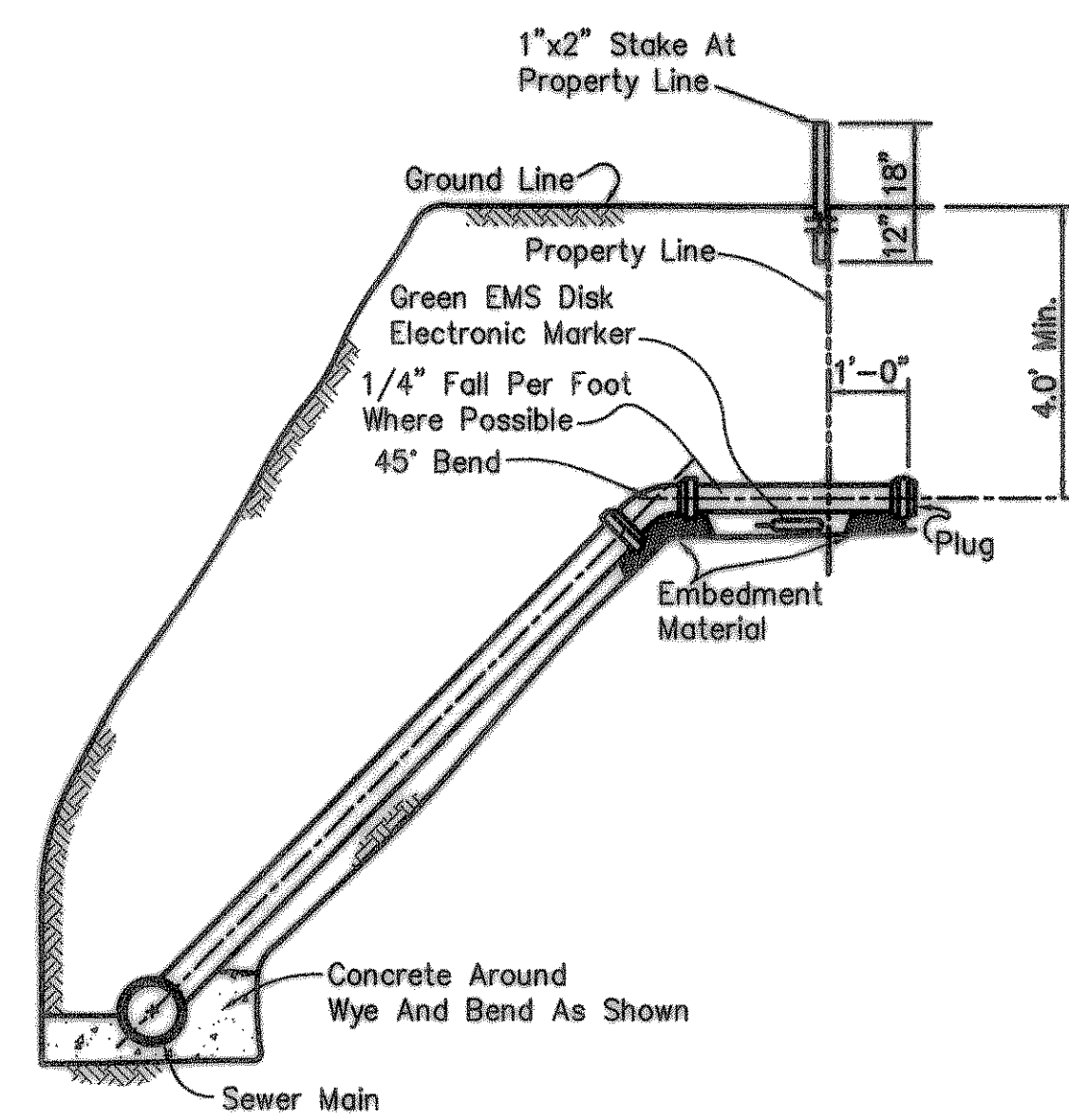
CONCRETE CRADLE



CONCRETE ENCASEMENT

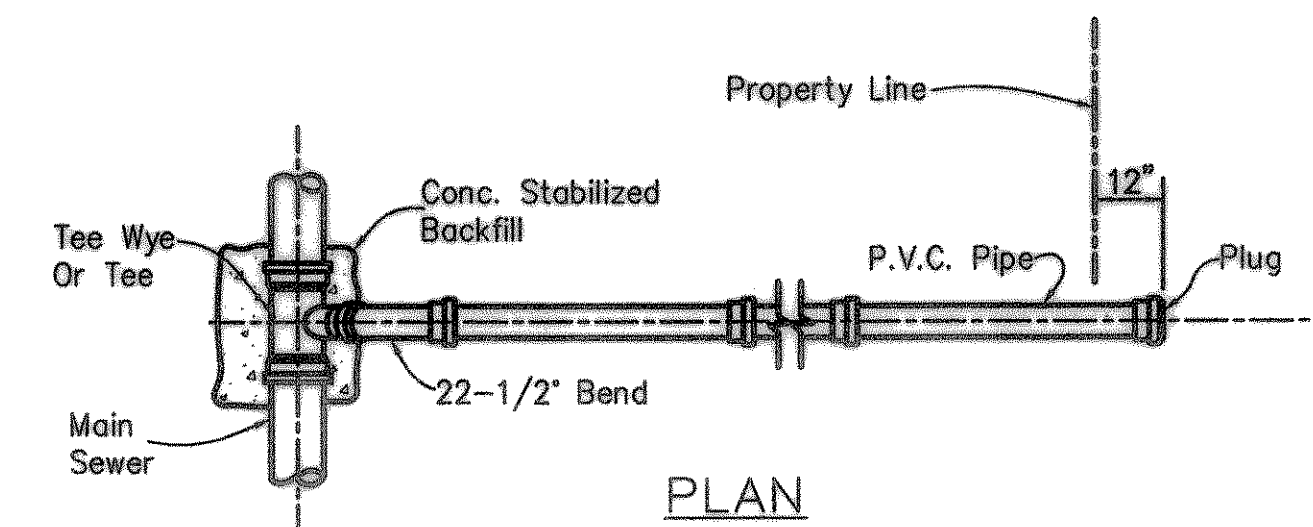
CONCRETE CRADLE AND ENCASEMENT DETAILS

Not To Scale

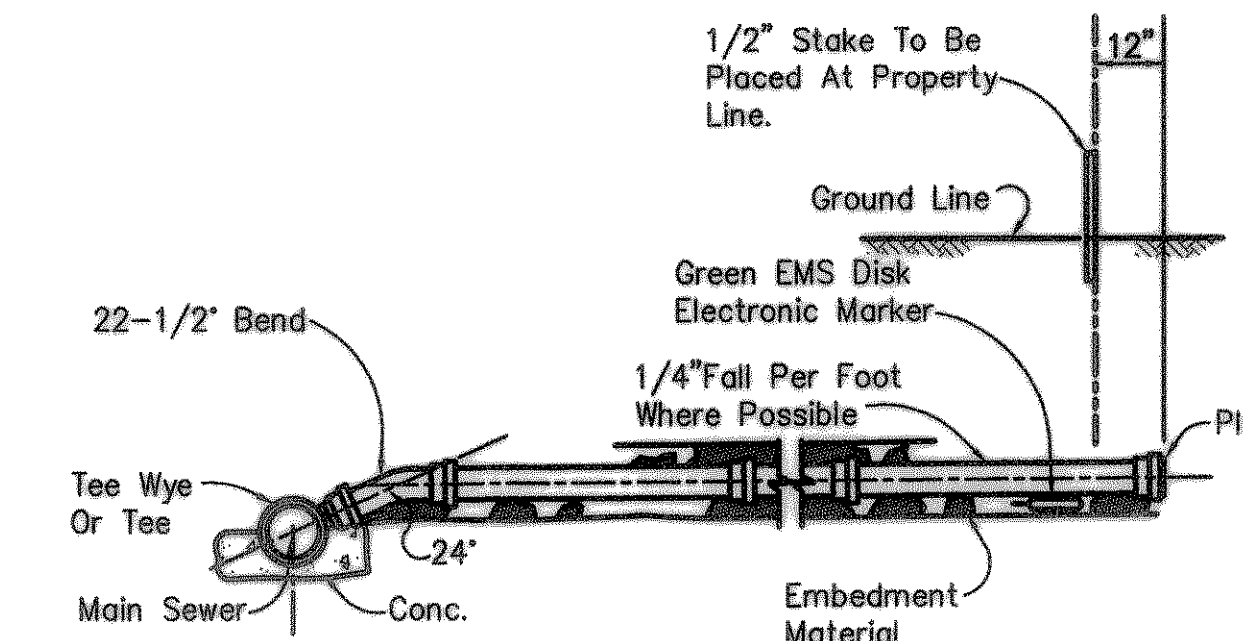


DEEP SERVICE CONNECTION

Not To Scale



PLAN



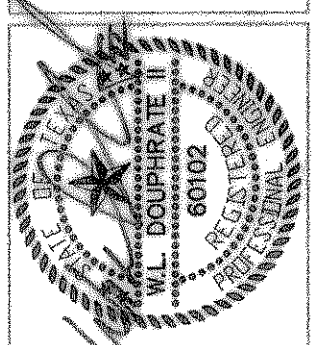
SIDE VIEW

STANDARD SERVICE CONNECTION

Not To Scale

RECORD DRAWINGS:

THE INTENT OF THE OWNER AND ENGINEER WAS TO CONSTRUCT THESE FACILITIES ACCORDING TO THESE PLANS AS APPROVED BY THE CITY OF _____ THE LINES AND GRADES WERE SET ON THE GROUND FOR CONSTRUCTION ACCORDING TO SAID PLANS. THE CITY OF _____ INSPECTOR _____ THE CONSTRUCTION. THE OWNER AND ENGINEER DID NOT VERIFY LINES OR GRADES AFTER CONSTRUCTION. WE ARE NOT AWARE OF ANY CHANGES OR REVISIONS TO THESE PLANS DURING CONSTRUCTION EXCEPT AS NOTED



THE SEAL APPEARING ON THIS DOCUMENT WAS AUTHORIZED BY THE BOARD OF PROFESSIONAL ENGINEERS OF THE STATE OF TEXAS. LICENSE NO. 80102 ON 10/1/00

DOUPHRATE & ASSOCIATES, INC.
ENGINEERING - PROJECT MANAGEMENT - SURVEYING
2235 RIDGE RD., # 200 ROCKWALL, TEXAS 75087
PHONE: (972)771-9004 FAX: (972)771-9005

DETAILS
CREEKSIDE VILLAGE, PHASE II
CITY OF ROCKWALL
COUNTY OF ROCKWALL

| REVISION |
|------------------|
| W.L.D. CHECKED |
| K.E.B. DRAWN |
| 4/10/00 DATE |
| 9960DET6 PROJECT |