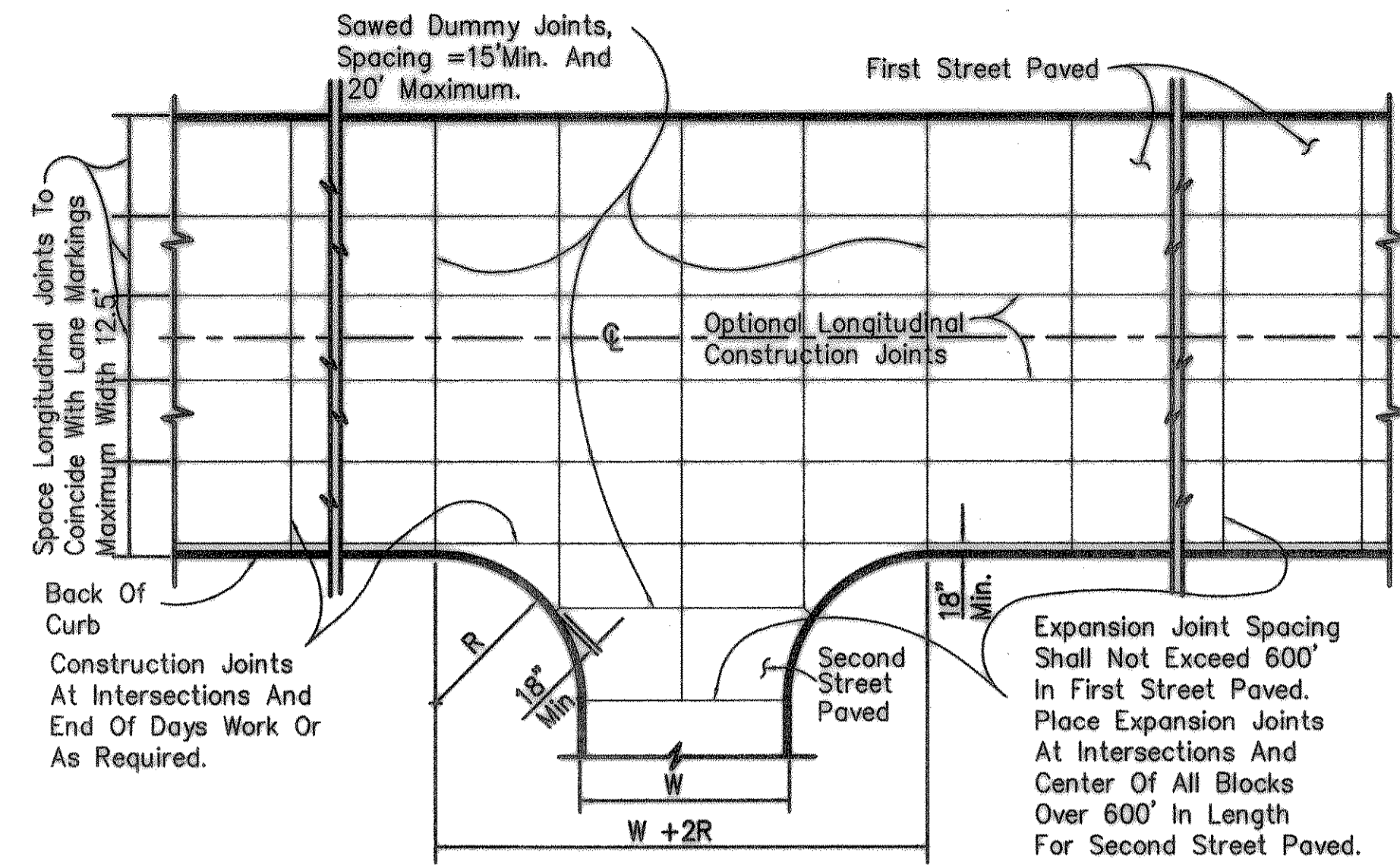
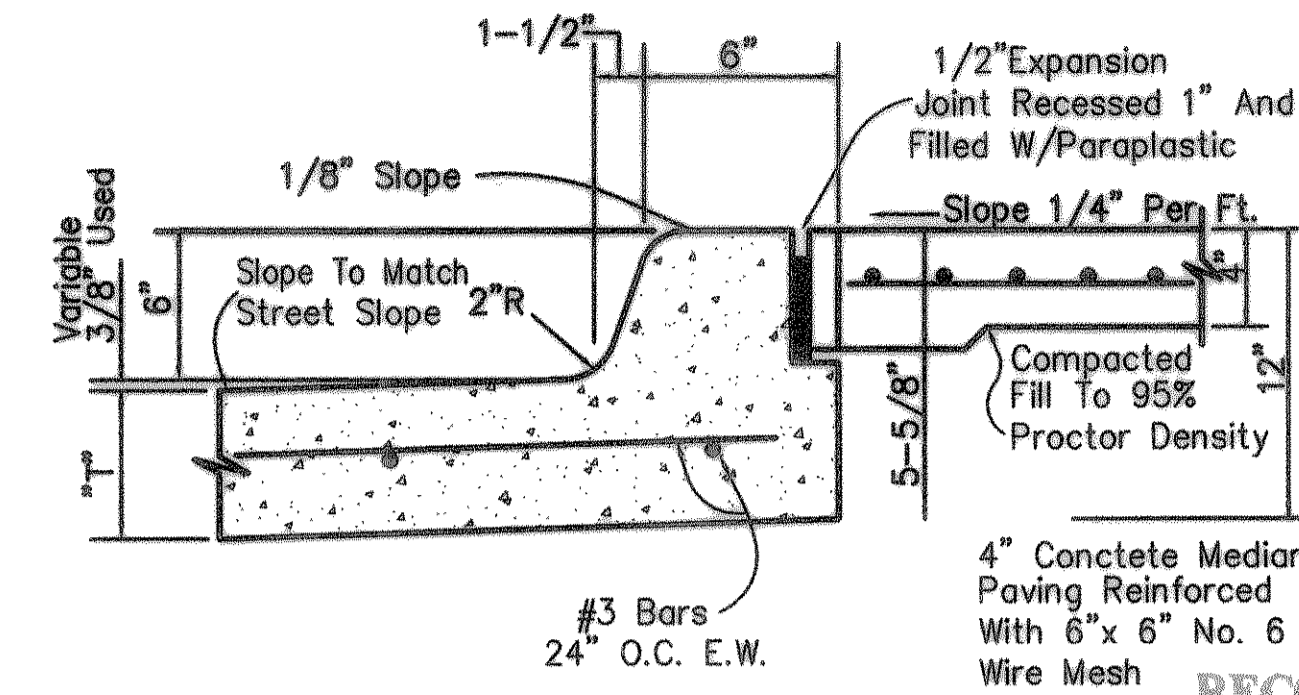


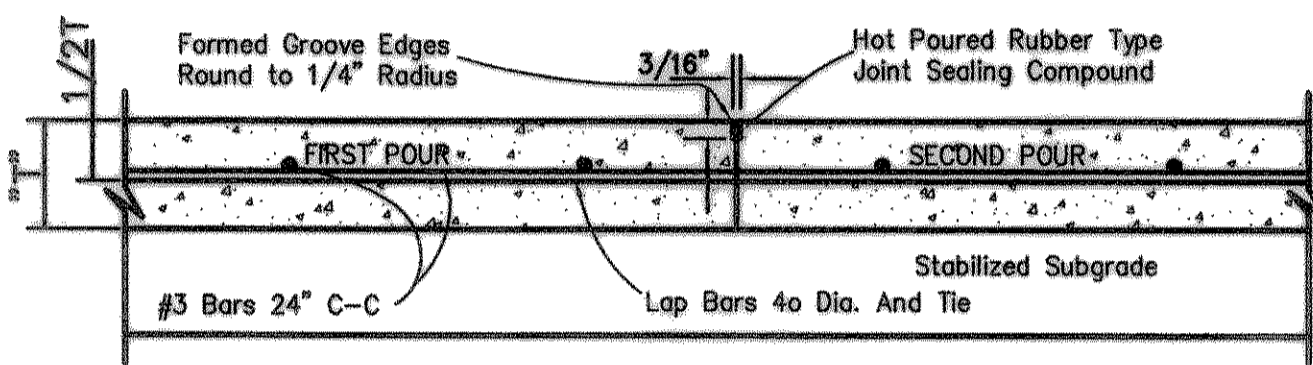
PLAN OF STEEL LAYOUT
Not To Scale



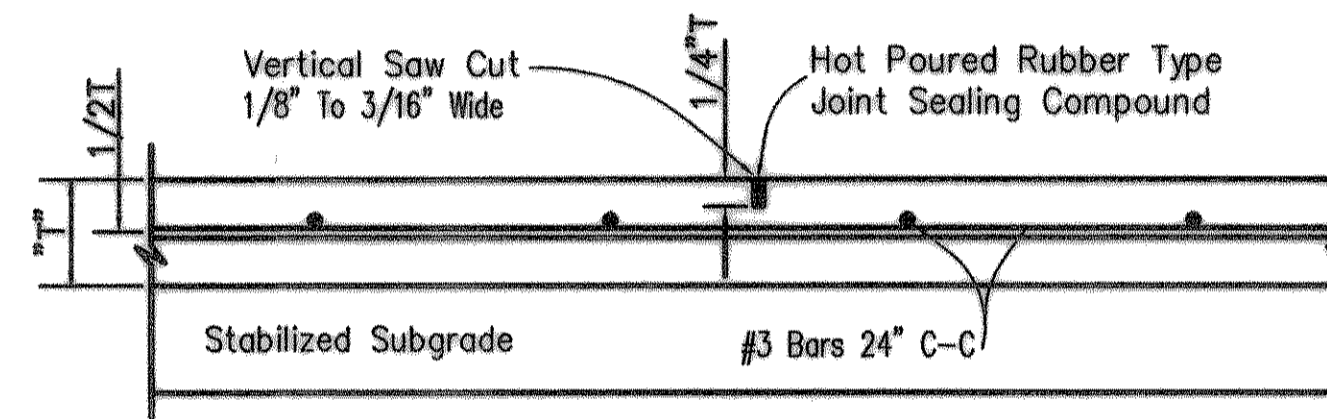
PLAN - JOINT SPACING
Not To Scale



STANDARD MEDIAN CURB & GUTTER

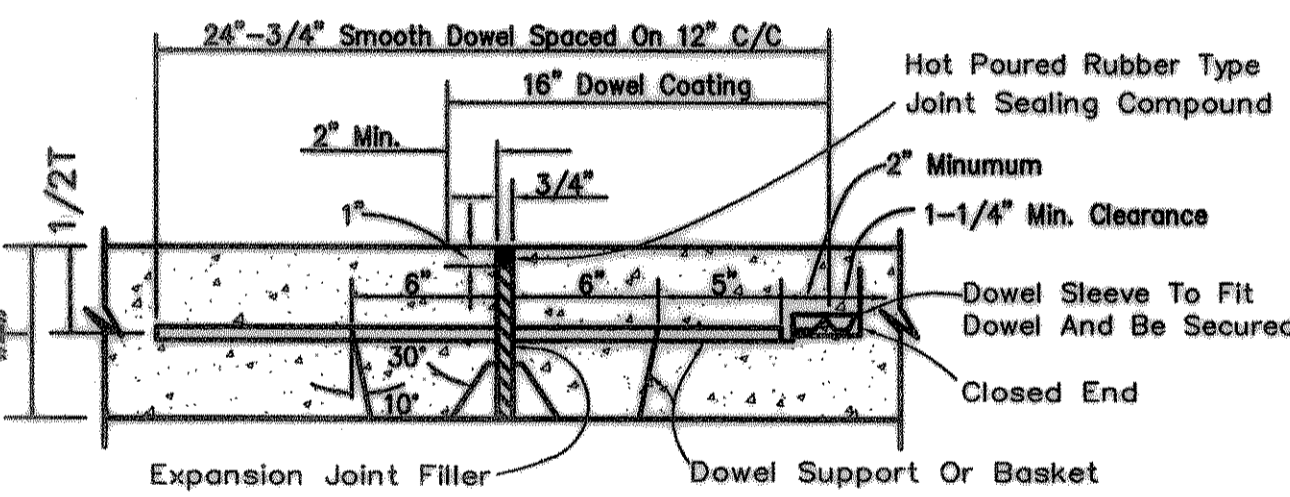


TRANSVERSE CONSTRUCTION JOINT
Not To Scale

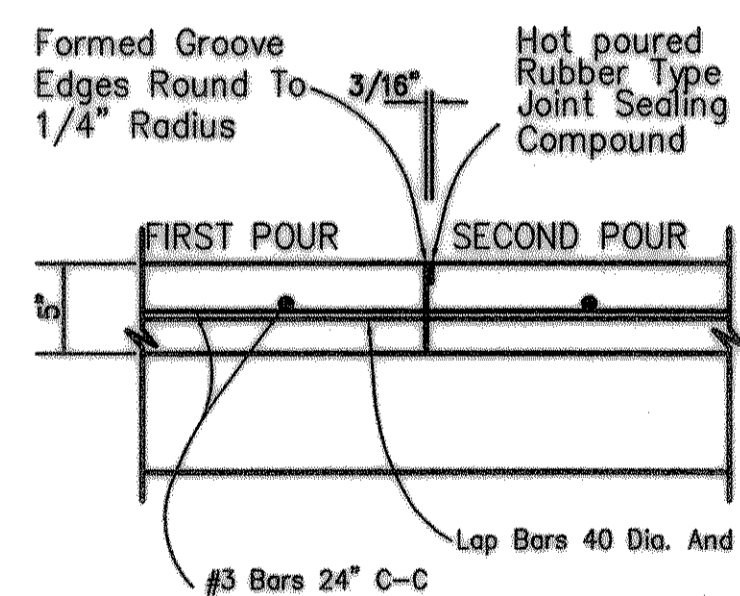


SAWED DUMMY JOINT
Not To Scale

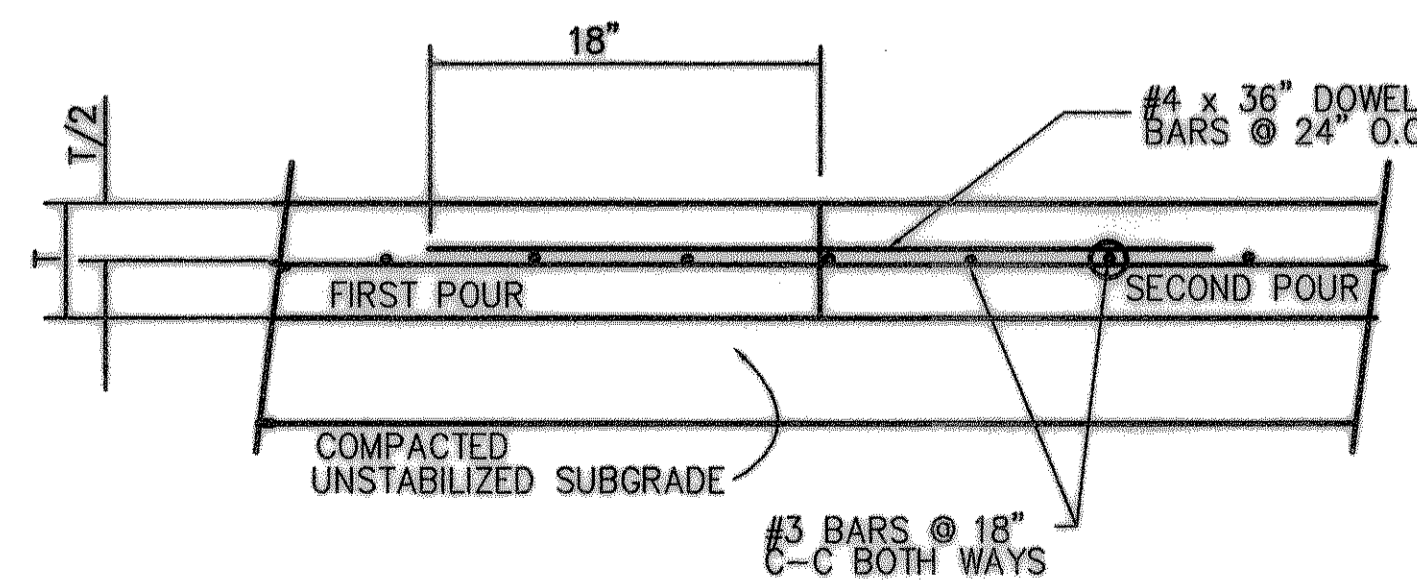
NOTE
Dimension "T" Equals Pavement Thickness
Shown On Typical Pavement Sections



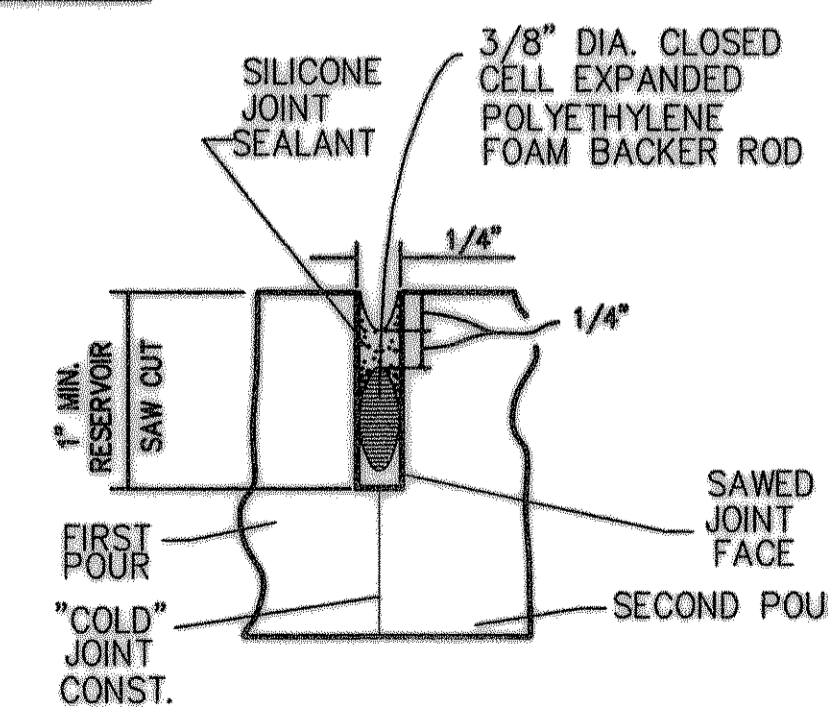
TRANSVERSE EXPANSION JOINT
Not To Scale



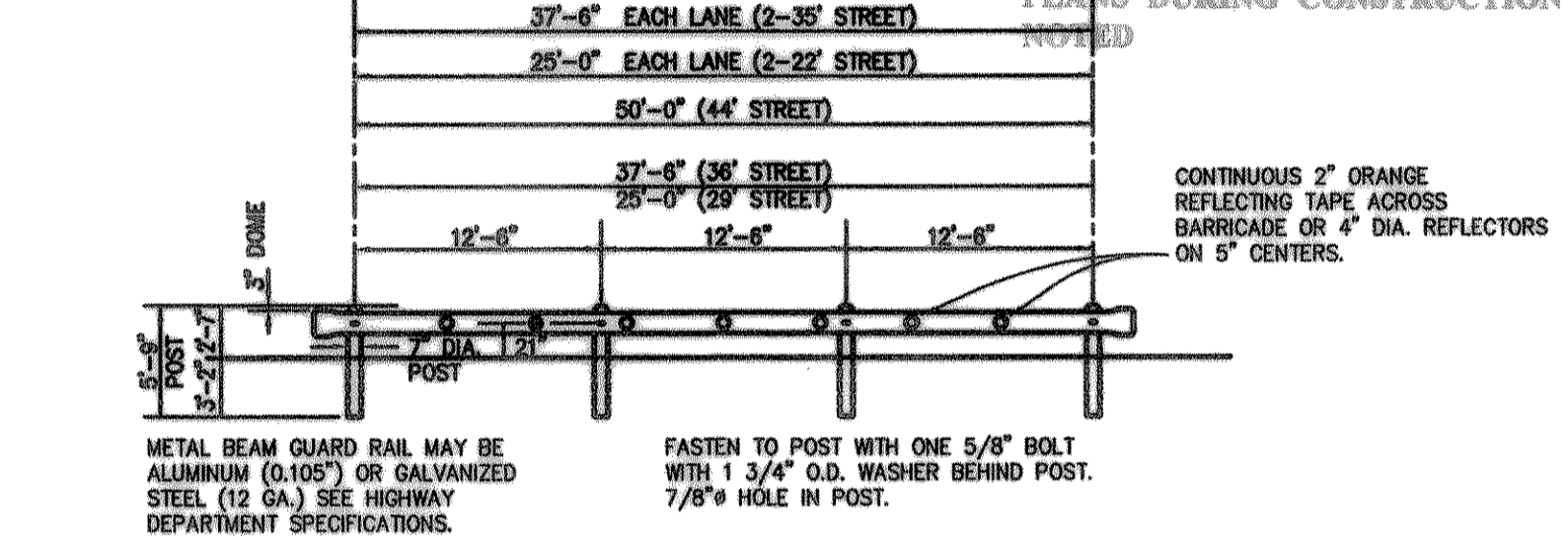
LONGITUDINAL CONSTRUCTION JOINT
Not To Scale



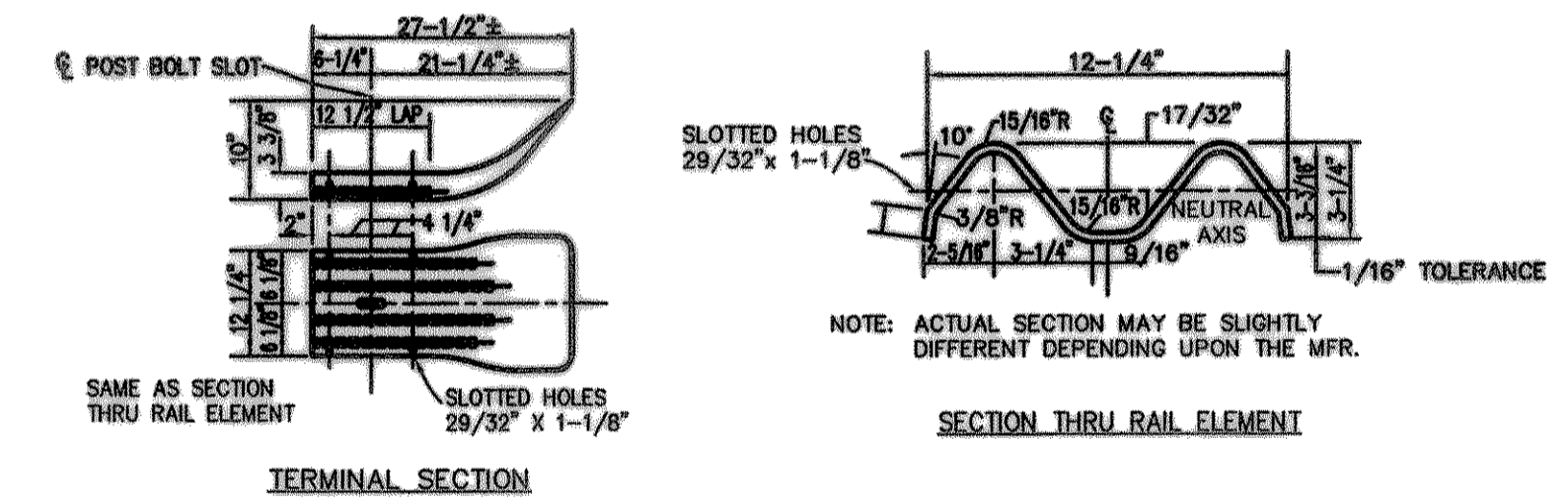
LONGITUDINAL CONSTRUCTION BUTT JOINT
NTS



SEAL FOR LONGITUDINAL AND TRANSVERSE CONSTRUCTION BUTT JOINT
NTS

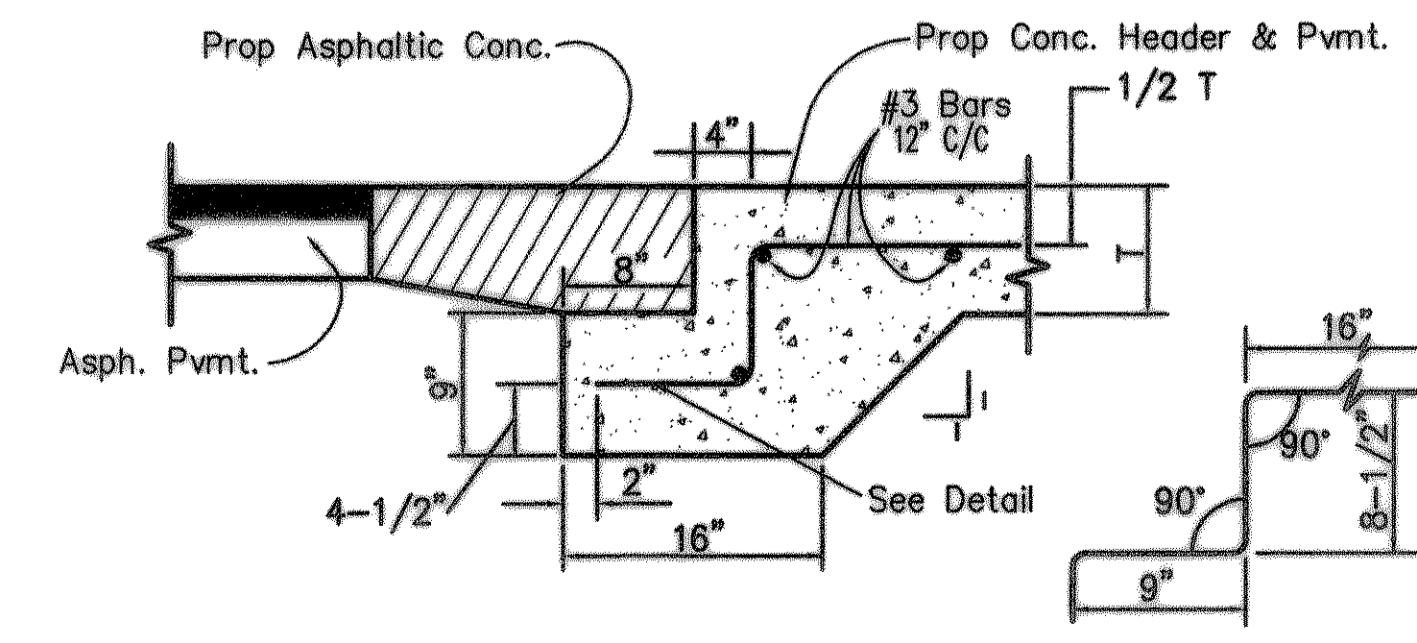


FRONT ELEVATION

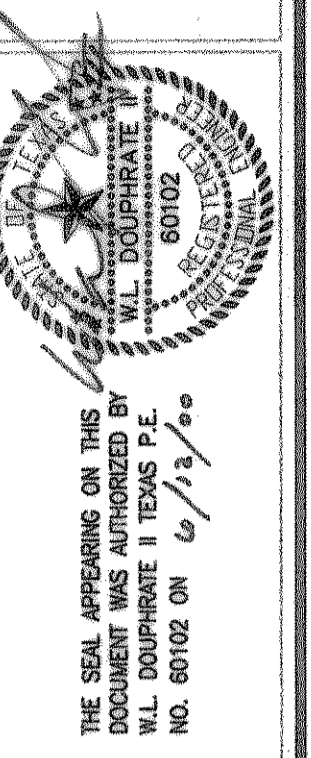


TERMINAL SECTION

SECTION THRU RAIL ELEMENT



STREET HEADER
Not To Scale



DOUPHRA TE & ASSOCIATES, INC.
ENGINEERING - PROJECT MANAGEMENT - SURVEYING
2256 RIDGE RD., # 200 ROCKWALL, TEXAS 75087
PHONE: (972)771-9004 FAX: (972)771-9005

DETAILS
CREEKSIDE VILLAGE, PHASE II
CITY OF ROCKWALL
COUNTY OF ROCKWALL

REVISION
W.L.D.
CHECKED
K.E.B.
DRAWN
4/10/00
DATE
9960DET3
PROJECT