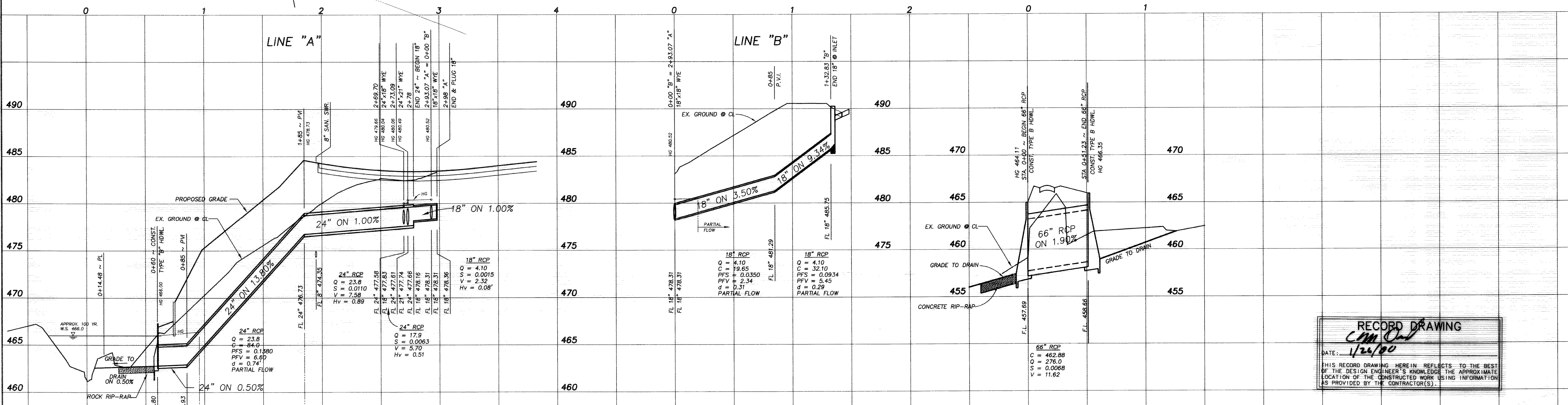
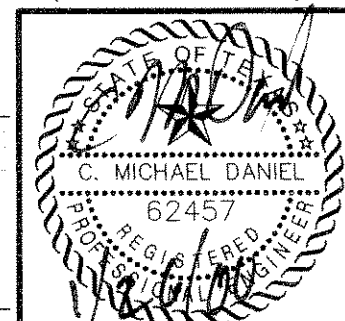


INLET CONTROL		OUTLET CONTROL		CULVERT ENTRANCE DATA		CULVERT DESIGN CALCULATIONS	
				CONCRETE BOX CULVERT TYPE: 1A FLARE ANGLE: 30° to 75° ENTRANCE SIZE: 18" TYPE: 1A CONCRETE PIPE TYPE: 4 ENTRANCE DESCRIPTION: Spigot End With Headwall		BY: M. MCGEEHEE DATE: MAY 1999 PROJECT: CREEKSIDE FILE NO.: CULVERT LOCATION: QUAIL RUN ROAD LENGTH: 50' TOTAL CHARGE: 276.0 DESIGN STORM FREQ: 100 ROUGHNESS COEFF: 0.013 MAX. VEL.: FALLWATER: 6.42 U.S. CHANNEL WIDTH: 5.50 ENTRANCE DESCRIPTION: TYPE 1A U.S. CHAN. EL.: 458.60 U.S. CHAN. EL.: 458.66 U.S. CHAN. EL.: 458.66 U.S. CHAN. EL.: 457.69 DIFFERENCE: 7.34 DIFFERENCE: 0.97' ROAD FREEBOARD: 7.34 FT. CHAN. SLOPE: 5.50% DIFF. FT. CENTER: 1.902 ALLOW. HEADWATER: 7.34 FT. S ₀ : 1.902	

TRIAL CULVERT										HEADWATER CALCULATION															
Type	Spec	Depth	Width	Slope	Type	POSSIBLE CULVERT SIZES					INLET CONTROL (See Figure 27-29, 29, & 30)					OUTLET CONTROL (See Figure 27-29, 29, & 30)					File Number				
						No.	Depth	Width	Area	Q	Q	Q	Q	Q	Q	Q	Q	Q	Q	Q		Q	Q	Q	
1A	18"	5.50	1	5.50	5.50	23.76	276	1A	II	50.18	1.33	7.34	0.4	3.70	6.42	0.97	9.15	3.70	0.83	3.17	8.42	0.97	10.95	OUTLT	66"



RECORD DRAWING
 DATE: 1/26/00
 THIS RECORD DRAWING HEREIN REFLECTS TO THE BEST OF THE DESIGN ENGINEER'S KNOWLEDGE THE APPROXIMATE LOCATION OF THE CONSTRUCTED WORK USING INFORMATION AS PROVIDED BY THE CONTRACTOR(S).



revisions	date
REVISED PER CITY REVIEW	3-20-97
REVISED	8-21-97
REVISED PER CITY REVIEW	1-22-98
REVISED PER CITY REVIEW	MAY 1999
REVISED 66" RCP FOR AS BUILTS	JAN 2000

NDM
 NATHAN D. MAIER
 CONSULTING ENGINEERS, INC.
 Three Northpark / 8800 N. Central Expwy. / Suite 300
 Dallas, Texas 75231 / (214) 739-4741

STORM SEWER PLAN & PROFILE
 LINE A & LINE B
 CREEKSIDE
 THE SHORES
 CITY OF ROCKWALL, ROCKWALL COUNTY, TEXAS

sheet no.	job number
7	95-05-036.L

E:\jdd\9505036\SHS131-stm.dwg Mon Jan 17 15:09:20 2000 MM