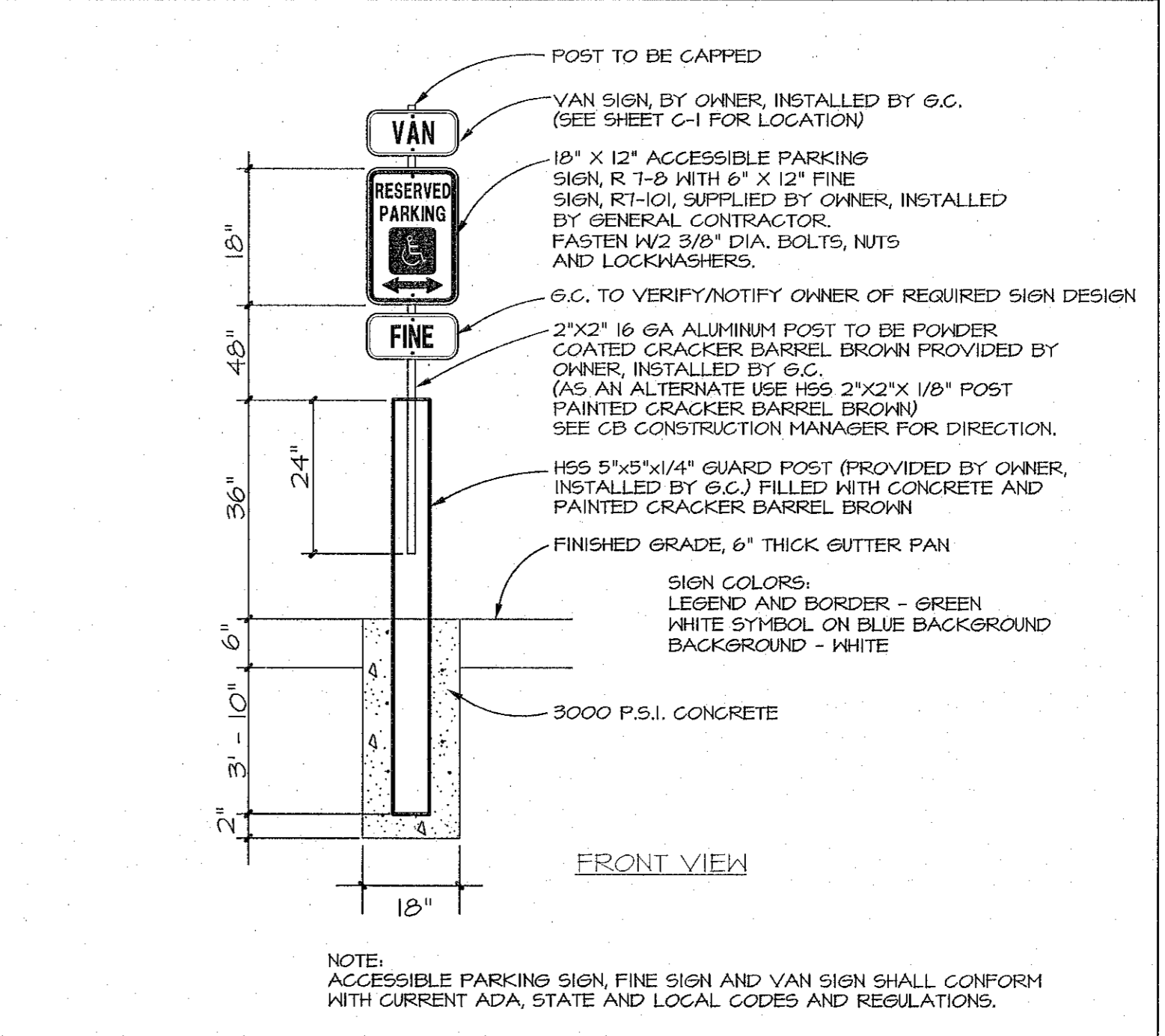
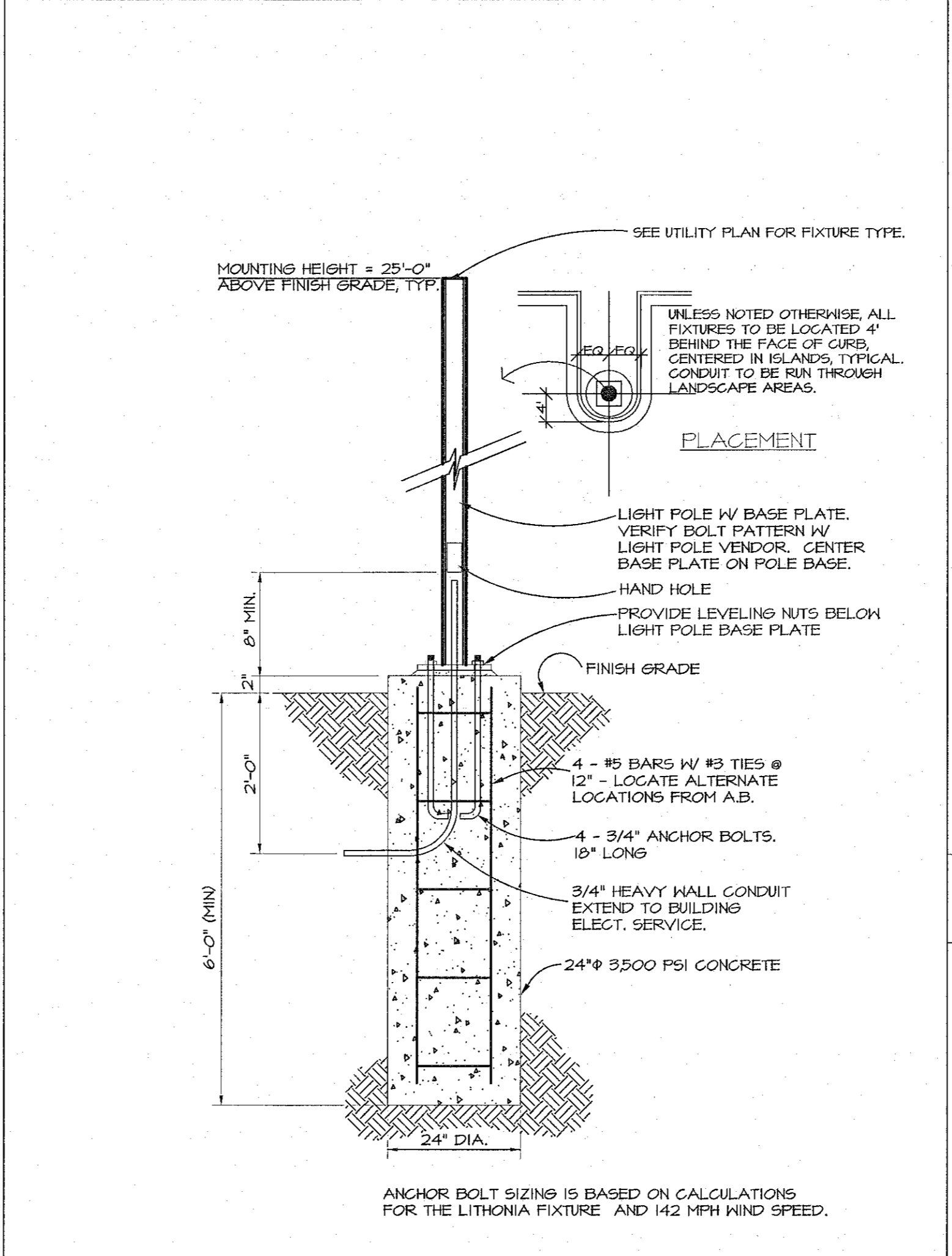
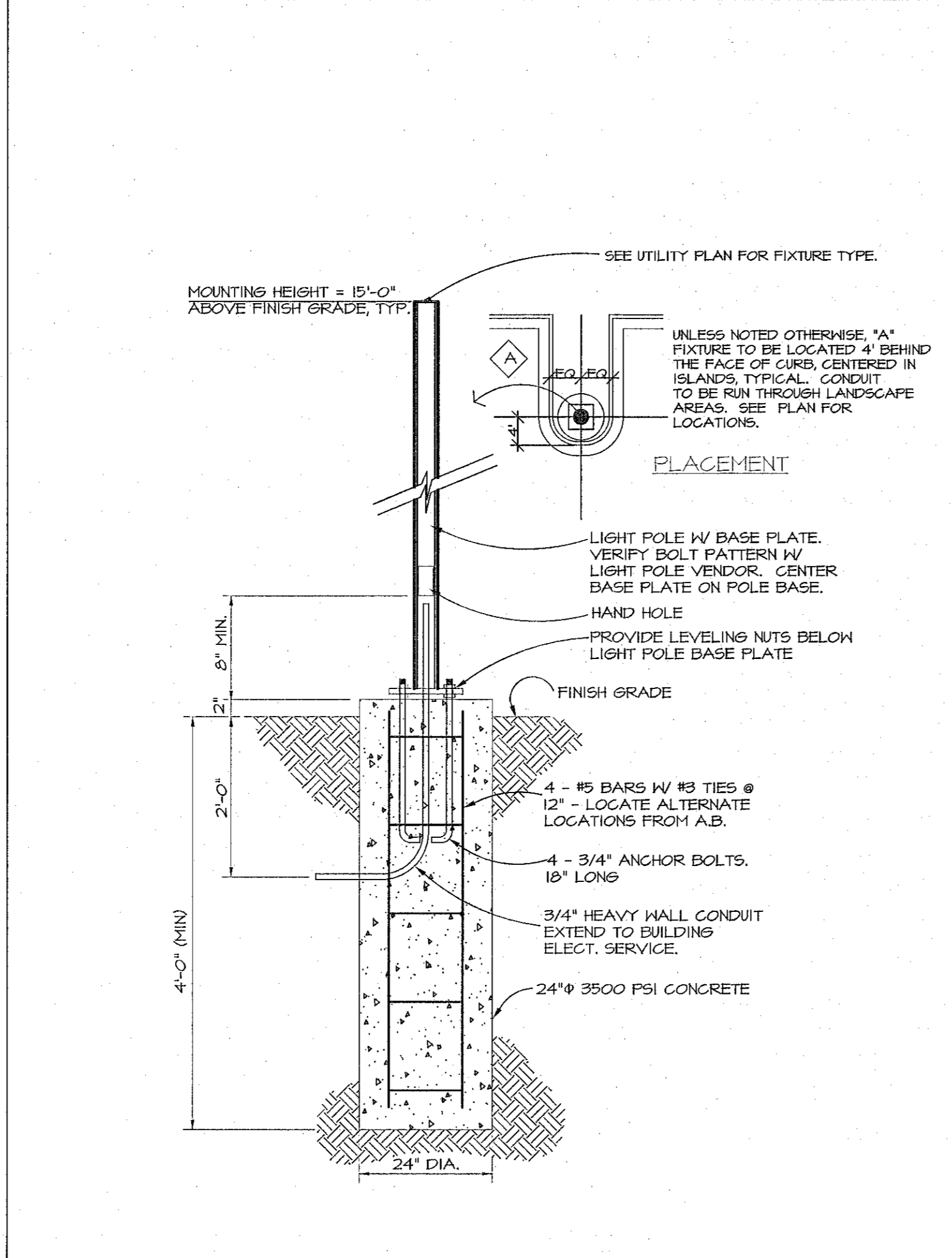
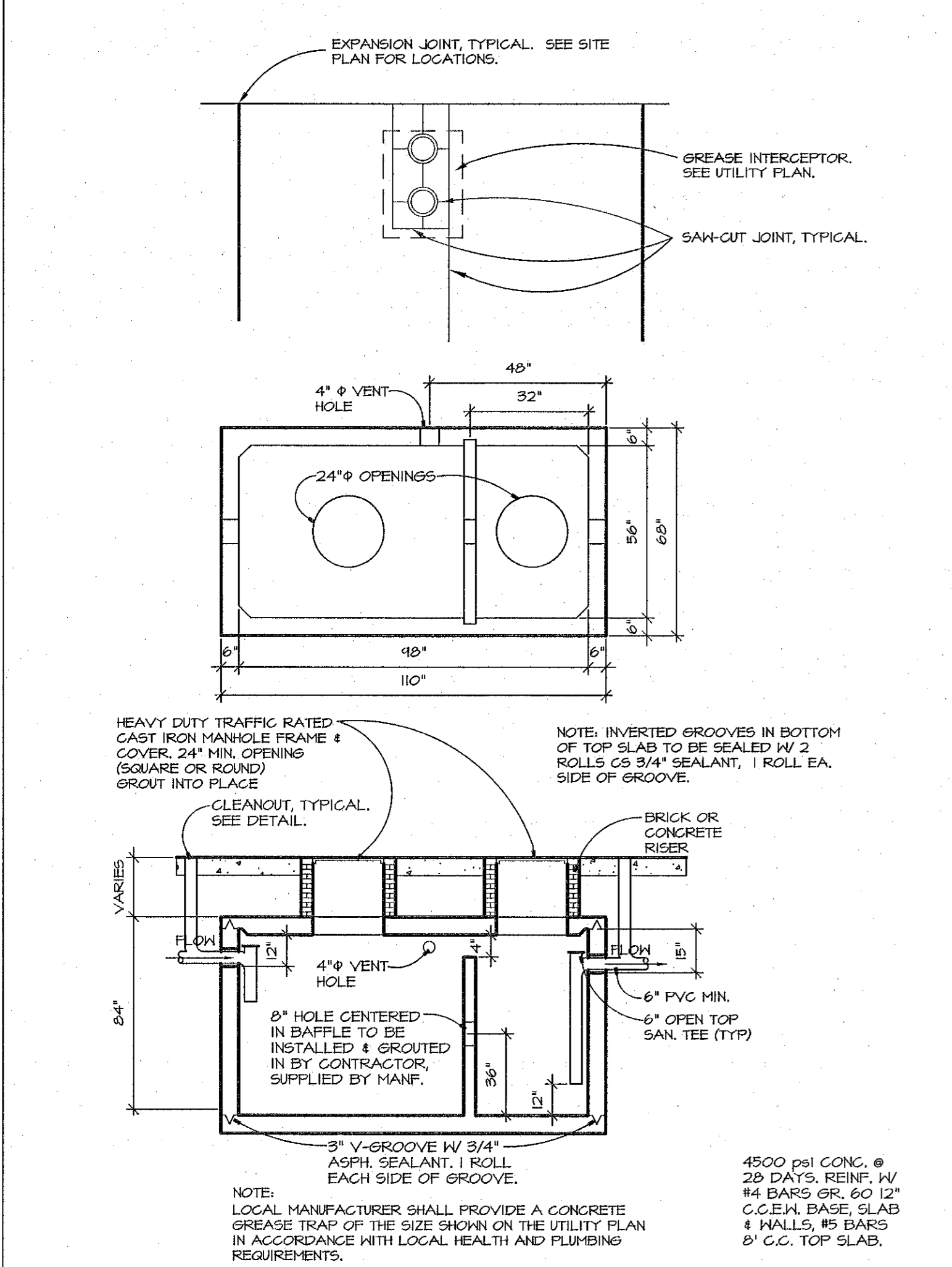


1 PRIVATE 18" ADS LANDSCAPE DRAIN BASIN DETAIL Not to Scale

2 JUNCTION DETAIL Not to Scale

3 NO TRACTOR TRAILER SIGN DETAIL Not to Scale

4 NOT USED Not to Scale



5 1,500 GALLON GREASE TRAP DETAIL Not to Scale

6 DECORATIVE LIGHT DETAIL Not to Scale

7 SITE LIGHT DETAIL FOR LANDSCAPE AREA Not to Scale

8 ACCESSIBLE PARKING SIGNS DETAIL Not to Scale

PROPERTY OWNER: KOHL'S ILLINOIS, INC. 15641000 RIDGEWOOD DRIVE MEMPHONEE FALLS, WISCONSIN 53051 ERIC BORKENHAGEN (262) 109-1000

OWNER: CBDCS TEXAS LIMITED PARTNERSHIP P.O. BOX 187 LEBANON, TENNESSEE 37088-0187 TELEPHONE: (615) 444-5533

PLANS PREPARED BY: JAMES A. CRAIG, P.E. DESIGN AND ENGINEERING, INC. 1645 WESTGATE CIRCLE BRENTWOOD, TENNESSEE 37027 (615) 370-1774

CRACKER BARREL OLD COUNTRY STORE, INC. 845 E. INTERSTATE 30 FRONTAGE RD. ROCKWALL, TEXAS 75087 BLOCK A, LOT 1 CASE NUMBER: SP2018-028

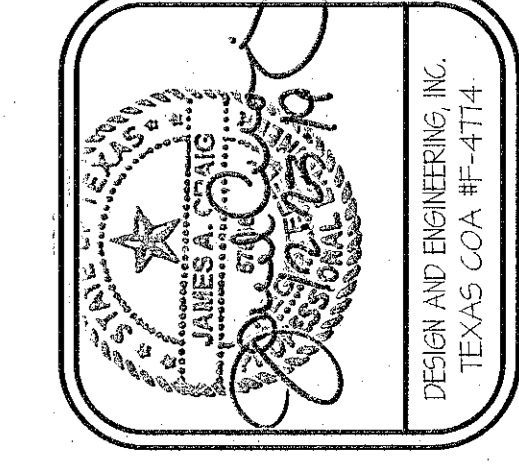
CRACKER BARREL PROJECT NUMBER: CB 164 ROCKWALL, TX -03

CRACKER BARREL OLD COUNTRY STORE, INC. 845 EAST INTERSTATE 30 ROCKWALL, TEXAS 75087

These construction documents are the exclusive property of Cracker Barrel Old Country Store, Inc. The information shown may not be used or the drawings reproduced without written permission of Cracker Barrel Old Country Store, Inc.

Cracker Barrel

P.O. Box 787 Hartmann Drive, Lebanon, TN. 37087



DESIGN AND ENGINEERING, INC. STRUCTURAL AND CIVIL ENGINEERS

1645 Westgate Circle Brentwood TN 37027 615-370-1774 fax: 370-9108 www.deneinc.com

DATE: 12-18-14 PROJECT NO: 18-16-15

NO.	REVISIONS

CRACKER BARREL Old Country Store

RECORD STANDARD DETAILS

RSD-2

PROJ: 18-16-15