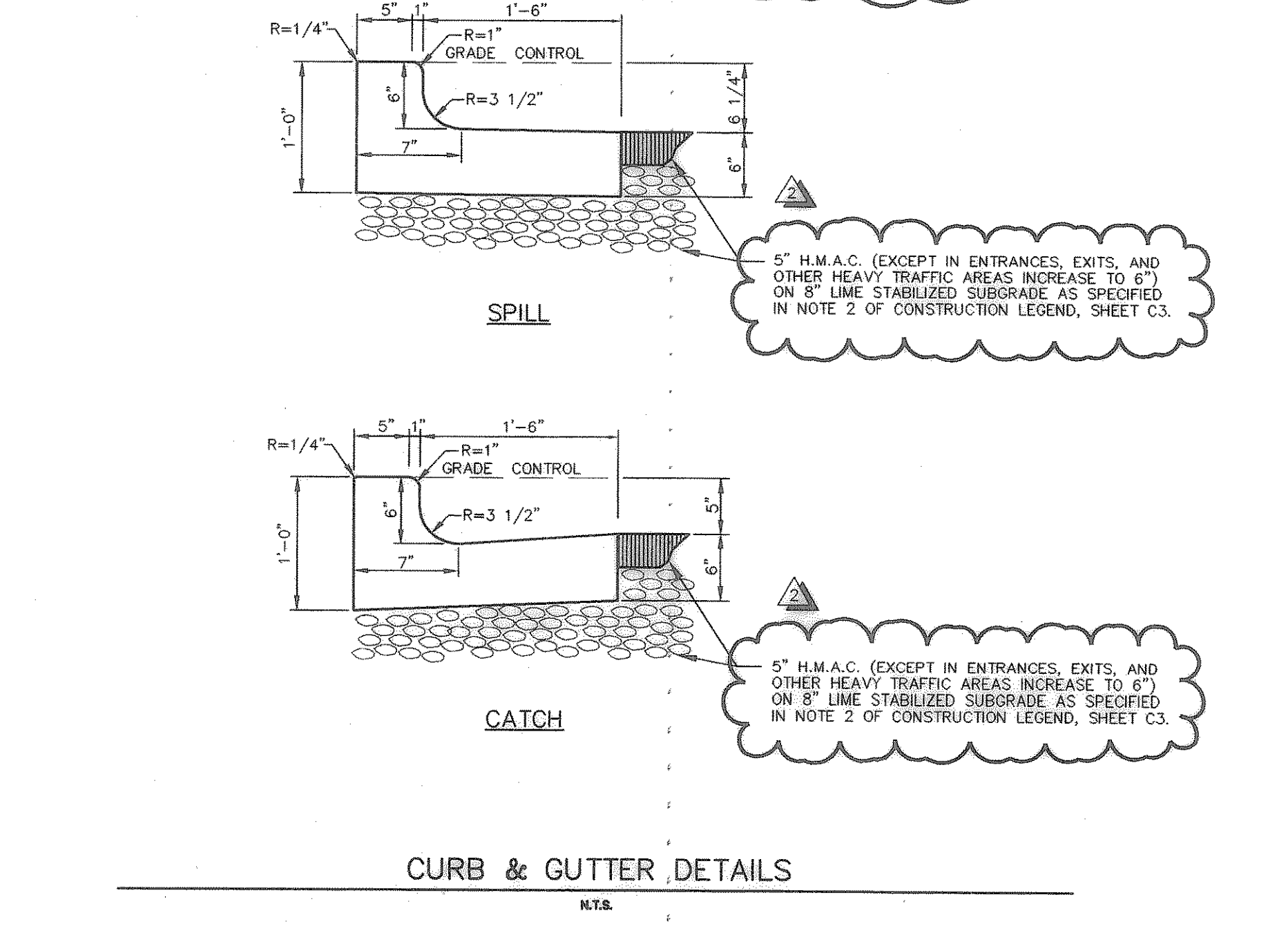
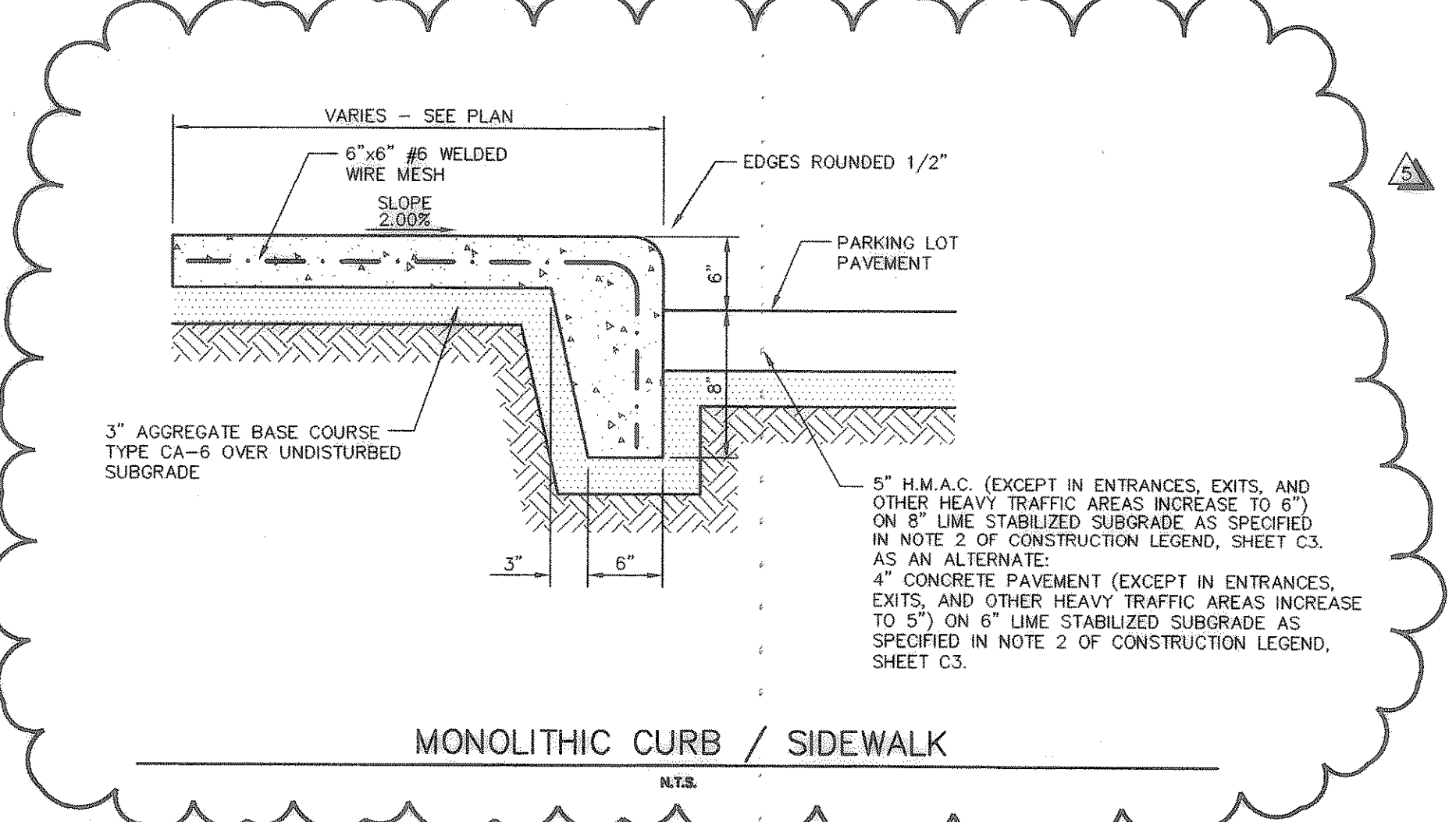
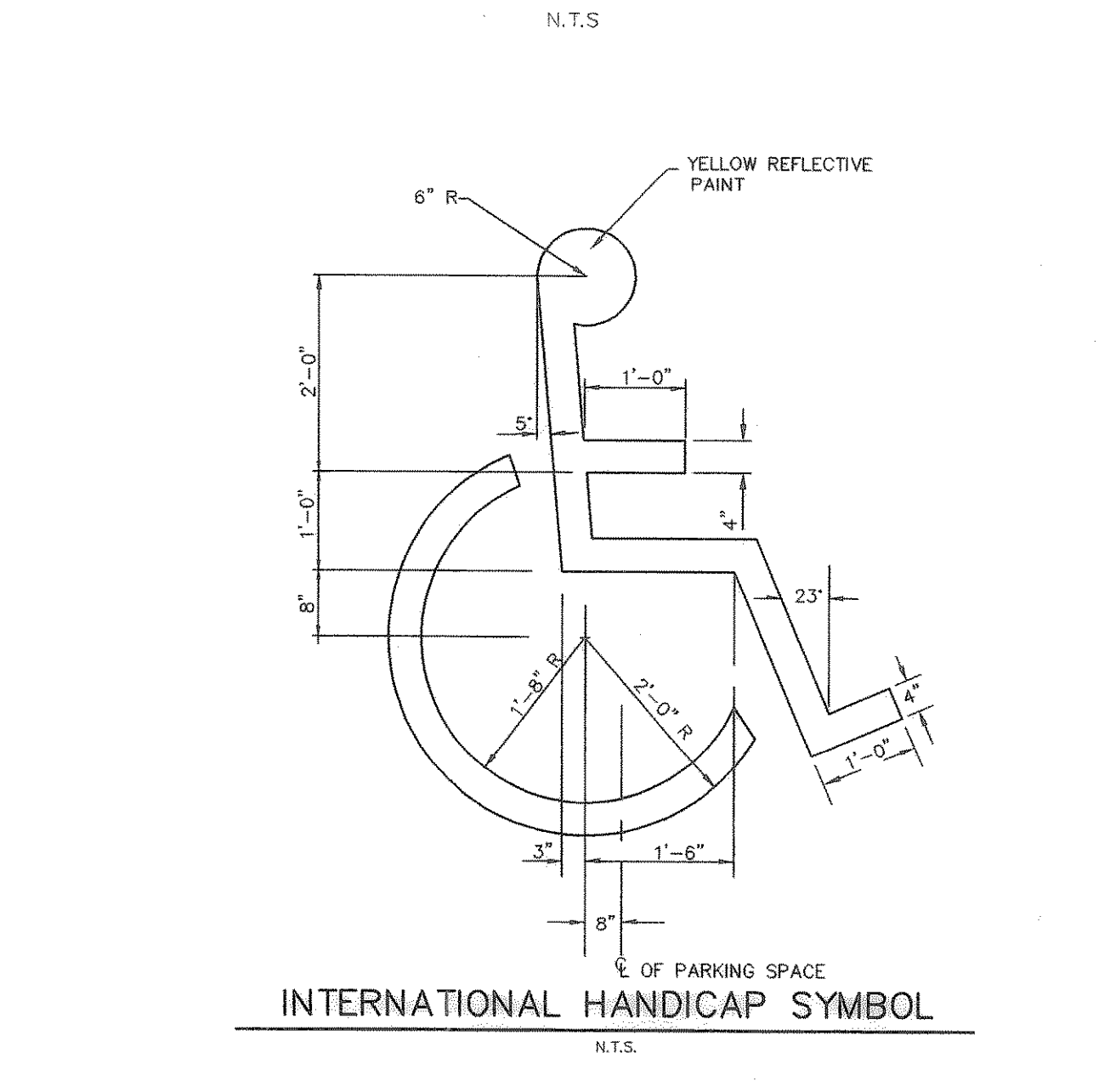
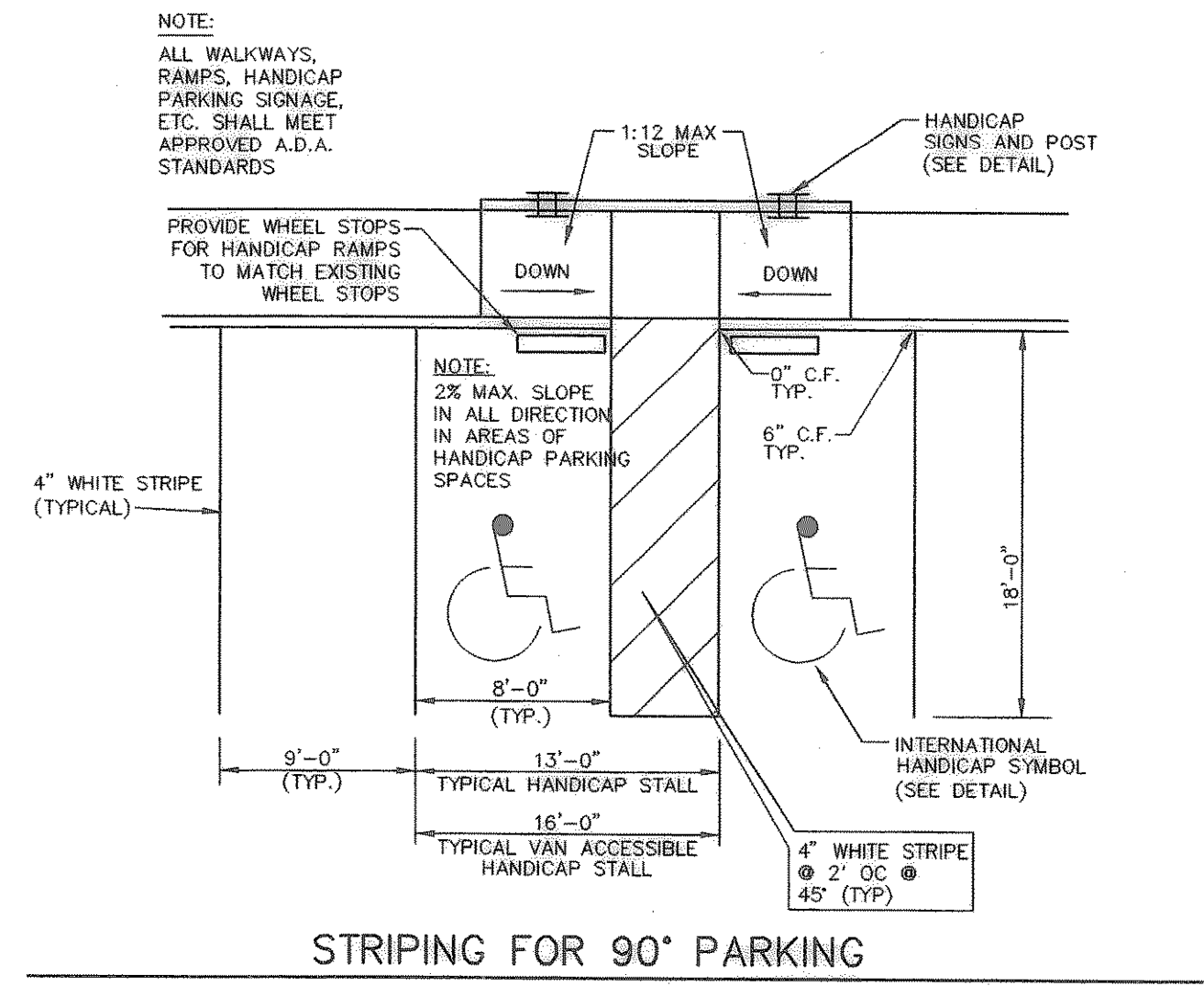
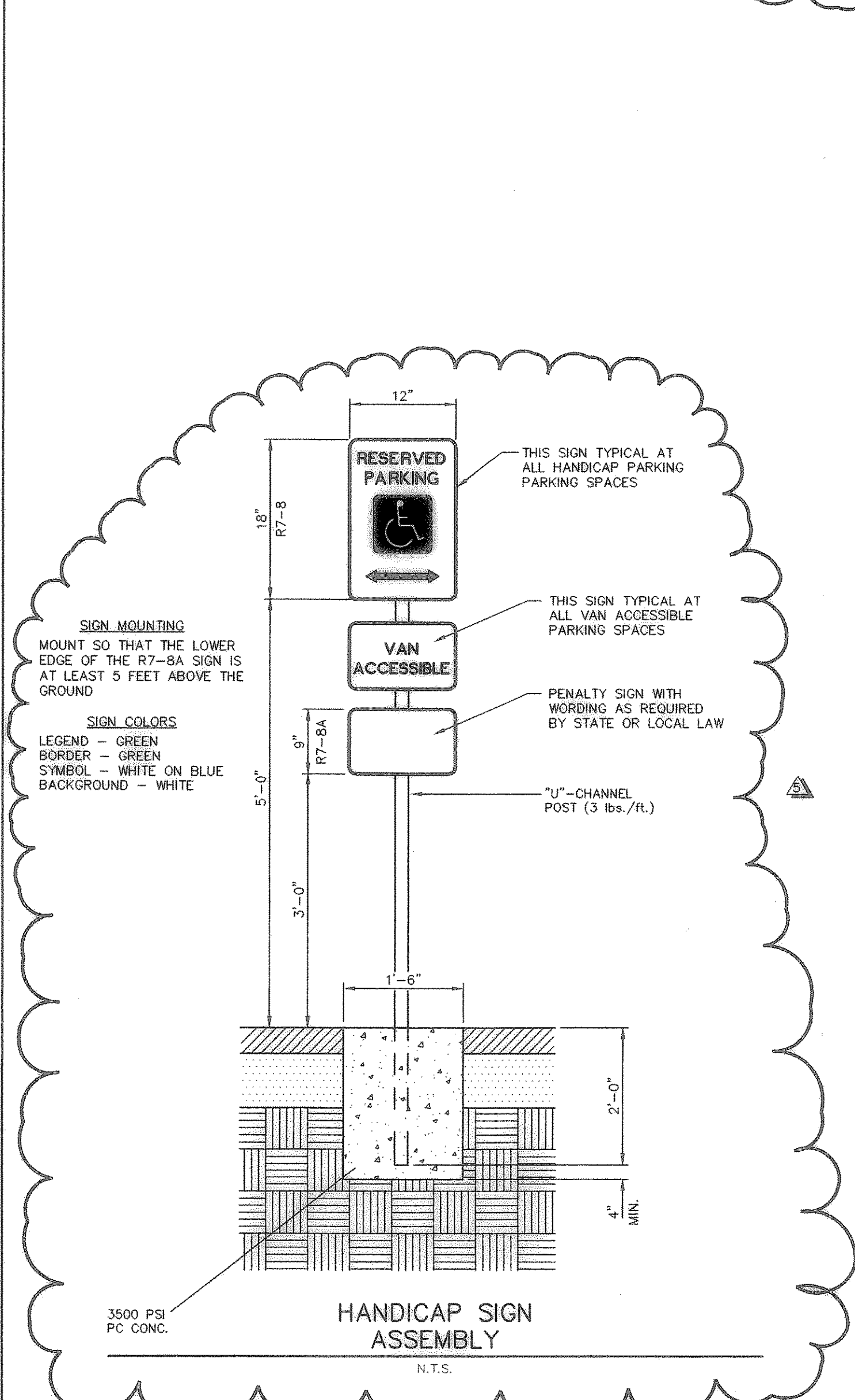


**SANITARY SEWER PROFILE**  
 SCALE: 1" = 20' HORIZ.  
 1" = 5' VERT.



- GENERAL NOTES:**
- ALL CONSTRUCTION OPERATIONS SHALL BE ACCOMPLISHED IN ACCORDANCE WITH APPLICABLE REGULATIONS OF THE U.S. OCCUPATIONAL HEALTH AND SAFETY ADMINISTRATION. COPIES OF OSHA STANDARDS MAY BE PURCHASED FROM THE U.S. GOVERNMENT PRINTING OFFICE, INFORMATION AND RELATED REFERENCE MATERIALS MAY BE PURCHASED FROM OSHA, 611 EAST 6TH STREET, AUSTIN, TEXAS.
  - ALL CONSTRUCTION SHALL BE IN ACCORDANCE WITH THE LATEST EDITION OF THE TEXAS DEPARTMENT OF TRANSPORTATION STANDARD SPECIFICATIONS, APPLICABLE PROVISIONS OF THE UNIFORM BUILDING CODE, AND CITY OF ROCKWALL STANDARD SPECIFICATIONS FOR CONSTRUCTION.
  - ALL CONCRETE PAVEMENT SHALL HAVE A MINIMUM COMPRESSIVE STRENGTH OF 3500 PSI AT 28 DAYS. ALL CONCRETE SIDEWALKS SHALL HAVE A MINIMUM COMPRESSIVE STRENGTH OF 3000 PSI AT 28 DAYS.
  - ALL REINFORCING STEEL SHALL BE ASTM A615, GRADE 40, UNLESS OTHERWISE NOTED.
  - LAP ALL BAR SPLICES 24 BAR DIAMETERS OR 24 INCHES, WHICHEVER IS GREATER.
  - ALL CONCRETE SURFACES SHALL RECEIVE A BROOM FINISH.
  - PROVIDE A MINIMUM CLEARANCE OF 2" BETWEEN OUTSIDE OF STEEL AND FACE OF CONCRETE.
  - ALL CONCRETE WORK SHALL CONFORM TO ALL APPLICABLE REQUIREMENTS OF ACI 301-72.
  - ALL EXPOSED CORNERS FOR CONCRETE WORK SHALL BE CHAMFERED 1".
  - THE INFORMATION CONTAINED ON THESE DRAWINGS IN REGARDS TO EXISTING UTILITIES, TOPOGRAPHY, CONTOURS, HYDROGRAPHY, OR SUBSURFACE CONDITIONS IS FURNISHED SOLELY AS THE BEST INFORMATION AVAILABLE AT THIS TIME. ITS ACCURACY IS NOT GUARANTEED AND ITS USE IN NO WAY RELIEVES THE CONTRACTOR OF ANY RESPONSIBILITY FOR LOSSES DUE TO ANY INACCURACIES.
  - ALL REQUIRED RELOCATIONS OR ALTERATIONS OF TELEPHONE POLES, UNDERGROUND CONDUIT, POWER POLES, AND ANY OTHER FACILITIES SHALL BE COORDINATED BY THE CONTRACTOR. CONTRACTOR SHALL SCHEDULE AND COORDINATE HIS WORK WITH THAT OF OTHER CONTRACTORS AND UTILITY COMPANIES SO AS NOT TO DELAY THE PROJECT.
  - THE CONTRACTOR SHALL NOTIFY THE CITY OF ROCKWALL BUILDING INSPECTION DIVISION BEFORE BEGINNING ANY UTILITY CONSTRUCTION IN PUBLIC R.O.W. OR PUBLIC EASEMENT. NO PIPE SHALL BE LAID UNTIL THE ASSIGNED INSPECTOR HAS MET WITH THE CONTRACTOR OR HIS REPRESENTATIVE AT THE PROJECT SITE.
  - THE CONTRACTOR IS RESPONSIBLE FOR JOBSITE CONDITIONS AT ALL TIMES DURING CONSTRUCTION AND SHALL DETEND, INDEMNIFY AND HOLD HARMLESS THE OWNER, HIS AGENTS AND THE ENGINEER AGAINST ANY CLAIMS RESULTING FROM SITE CONDITIONS DURING THE COURSE OF CONSTRUCTION. THE JOBSITE SHALL BE MAINTAINED IN A SAFE CONDITION DURING AND AFTER WORK HOURS IN ACCORDANCE WITH THE STANDARD SPECIFICATIONS FOR PUBLIC WORKS CONSTRUCTION.
  - REFERENCE SOILS REPORT BY BENCHMARK ENVIRONMENTAL CONSULTANTS (BEC PROJECT NO. 828-94) DATED AUGUST 4, 1994, FOR ALL SIDEWALK AND PAVEMENT THICKNESS, SUBGRADE PREPARATION, AND ANY DESIGN ALTERNATIVES.

**CHIL'S IN ROCKWALL, TEXAS**

**SITE PLAN DETAILS**

**chil's GRILL & BAR**

Scale: AS SHOWN Date: 10/21/94  
 Disk: Drawn by: A.B.C.  
 Xref: NONE  
 File: 002055DA.DWG  
 Approved by: S.E.W.  
 Project No.: 3002-05

**SHEET C6 OF 7**

7	REVISED SANITARY SEWER PROFILE FLOWLINES PER	O.L.V.	09/10/94
5	PARKWAY CONSTRUCTION CONTRACTOR SURVEY DATA		
3	REVISED HANDICAP SIGN DETAIL ADD CURB DETAIL	S.E.W.	12/29/94
2	REVISED SANITARY SEWER IN PROFILE	S.E.W.	11/29/94
1	REVISED CURB & GUTTER DETAILS, ADDED GENERAL	S.E.W.	11/23/94
	NOTE #14		
	NO.	BY	DATE

**Bury+Pittman**  
 Consulting Engineers and Surveyors  
 Dallas, Texas Tel: 214/991-0011 Fax: 214/991-4678  
 © Copyright 1994 Bury & Pittman, Inc.