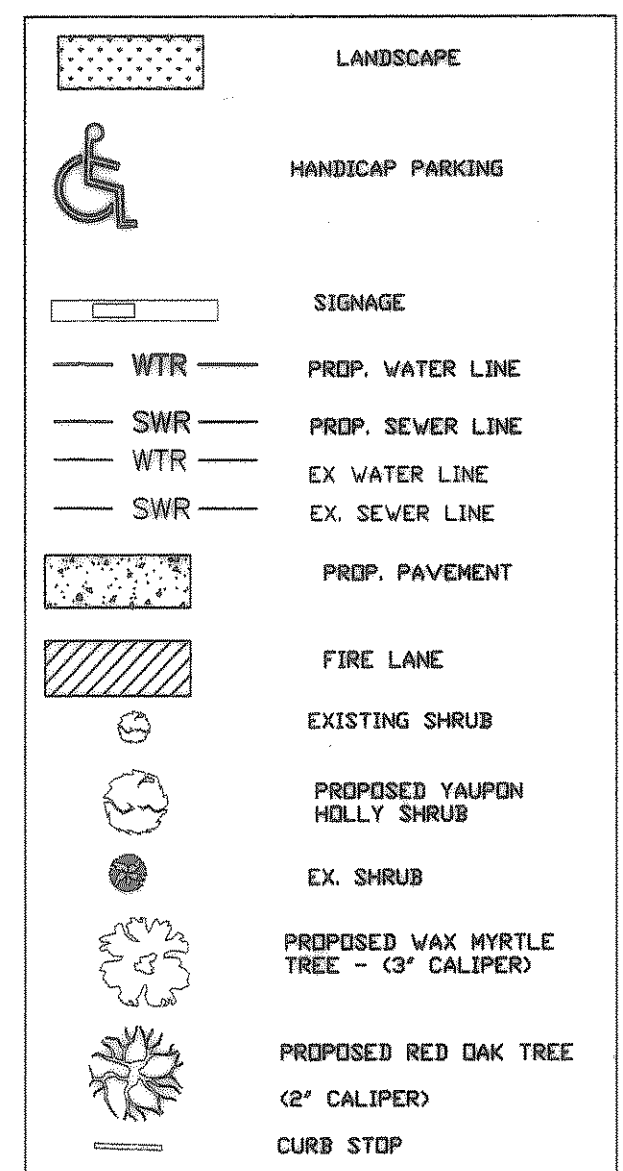


Lot 1A
56,574 sq. ft.
1.29875 acres

STATE HWY. NO. 205
(100' R.O.W.)



NO TREES WITHIN 5' OF ANY UTILITIES

FIRELANES TO BE 6-INCH 3600 PSI

LANDSCAPE REQUIREMENTS

	REQUIRED	PROVIDED
LANDSCAPE BUFFER (FRONTAGE)	20 FEET	VARIES
LANDSCAPE AREA	15% OR 7003.66 S.F.	15,748.82 S.F. 33.72%
TREES (FOUR (CANOPY) PER EVERY 100' ALONG HWY 205)	8	8
TREES (FOUR (ACCENT) PER EVERY 100' ALONG HWY 205)	8	8
REAR		
TOTAL CANOPY TREES	8	8
TOTAL ACCENT TREES	8	8
SHRUBS		159

PLANT MATERIAL	TYPE	SIZE
CANOPY TREE	RED OAK	2" CALIPER
ACCENT TREE	WAX MYRTLE	3" CALIPER
GRASS	BERMUDA GRASS	-
SHRUB	YAUPON HOLLY	-

THE CONTRACTOR SHALL BE RESPONSIBLE FOR VERIFYING EXISTING GROUND GRADES PRIOR TO COMMENCING CONSTRUCTION AND THE DEPTH AND LOCATIONS OF AND PROTECTING ALL EXISTING SERVICE LINES, OR OTHER PROPERTY CROSSED OR EXPOSED BY HIS CONSTRUCTION OPERATIONS. WHERE EXISTING UTILITIES OR SERVICE LINES ARE CUT, BROKEN OR DAMAGED, THE CONTRACTOR SHALL REPLACE OR REPAIR THE UTILITIES OR SERVICE LINES WITH THE SAME TYPE OF ORIGINAL MATERIAL AND CONSTRUCTION, OR BETTER, UNLESS OTHERWISE SHOWN OR NOTED ON THE PLANS, AT HIS OWN COST AND EXPENSE. THE CONTRACTOR SHALL IMMEDIATELY NOTIFY THE OWNER OF THE DAMAGED UTILITY OR SERVICE LINE. HE SHALL COOPERATE WITH THE OWNERS OF ALL UTILITIES TO LOCATE EXISTING UNDERGROUND FACILITIES AND IMMEDIATELY NOTIFY THE ENGINEER AT ONCE OF ANY CONFLICTS IN GRADES AND ALIGNMENT.

NO TREES WITHIN 5' OF ANY UTILITIES

RECORD DRAWING

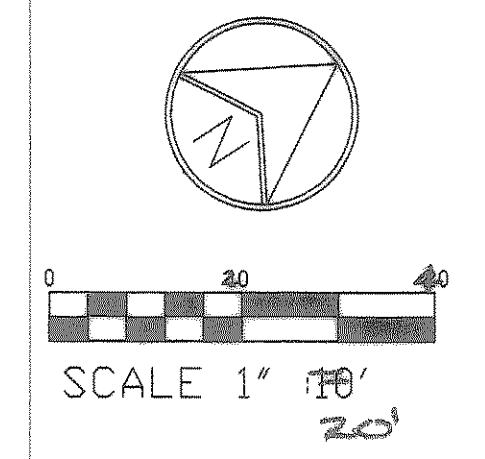
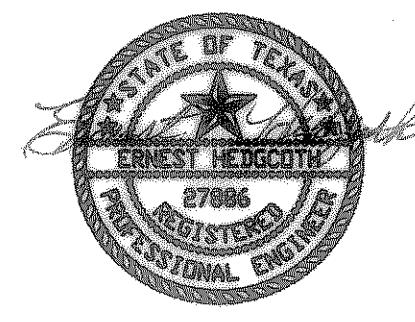
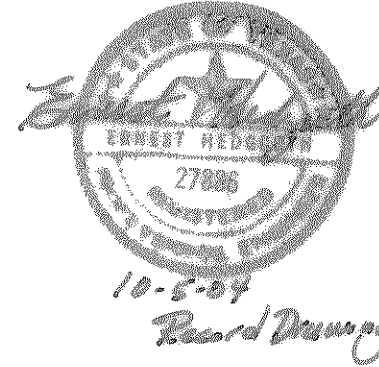
CHICKEN EXPRESS
LOT 2A, BLOCK A
BRAUM'S ADDITION
CITY OF ROCKWALL

OWNER/DEVELOPER
LONE STAR CHICKEN, L.P.
2502 RICHGAK,
GARLAND, TEXAS 75044
TEL: 972 459 3546 CONTACT: JOHN MCKENZIE

LANDSCAPE PLAN

ERNEST HEDGCOTH
CONSULTING ENGINEERS, INC.
5701-C MIDWAY ROAD, FORT WORTH, TX 76117
TEL: 817 831 7711, FAX: 817 831 6366

Job No 2003-123 Design: VKM
Date: 05/13/04 Draft: VKM
Scale: Review: EH
SHEET L-I OF



The seal appearing in this document was authorized by ERNEST HEDGCOTH, P.E. #27886 DATE 5/29/04

HORIZONTAL ADDITION - 2003-05