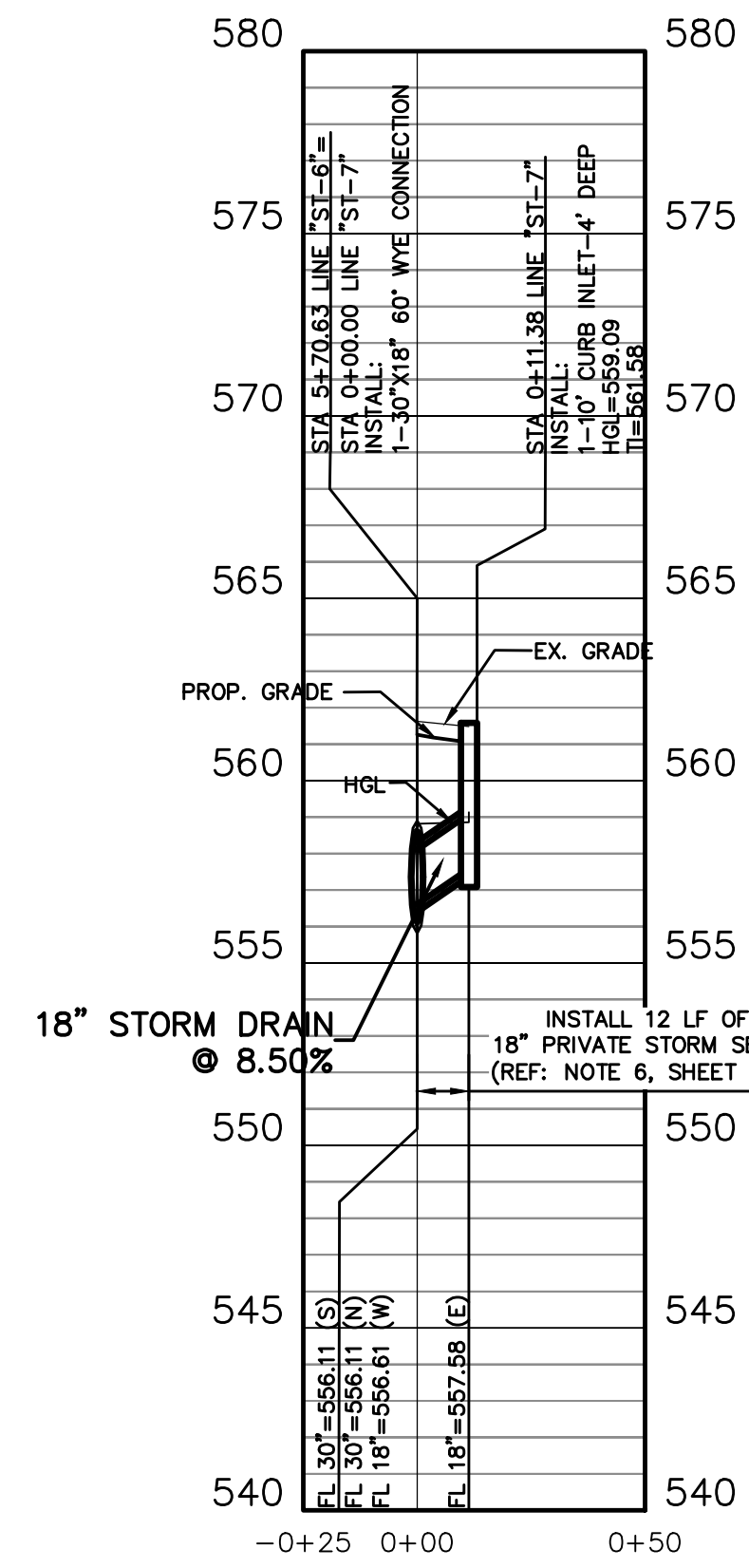


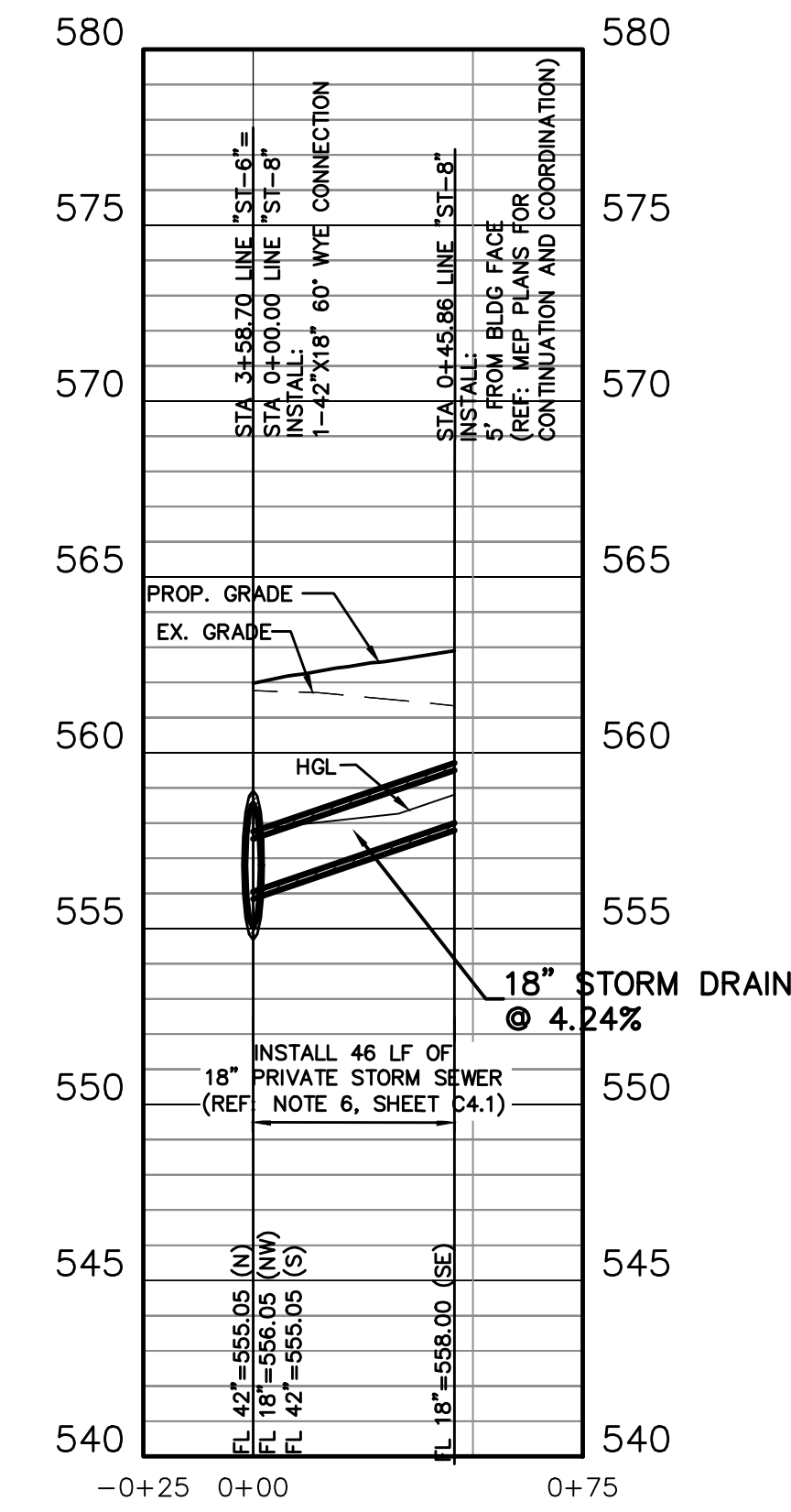
PROFILE ST-6

Downstream Station	Upstream Station	Q (cfs)	V (fps)	V ² /2g (ft)	S _r	Q _{cap} (cfs)
0+00.00	3+58.70	39.61	4.12	0.26	0.0015	71.14
3+58.70	3+86.40	27.35	2.84	0.13	0.0007	71.14
3+86.40	4+90.41	27.35	5.57	0.48	0.0044	29.00
4+90.41	5+70.63	20.38	4.15	0.27	0.0025	29.00
5+70.63	6+26.33	14.29	2.91	0.13	0.0012	29.00
6+26.33	6+93.92	9.88	2.01	0.06	0.0006	29.00
6+93.92	7+57.99	5.47	1.11	0.02	0.0002	29.00



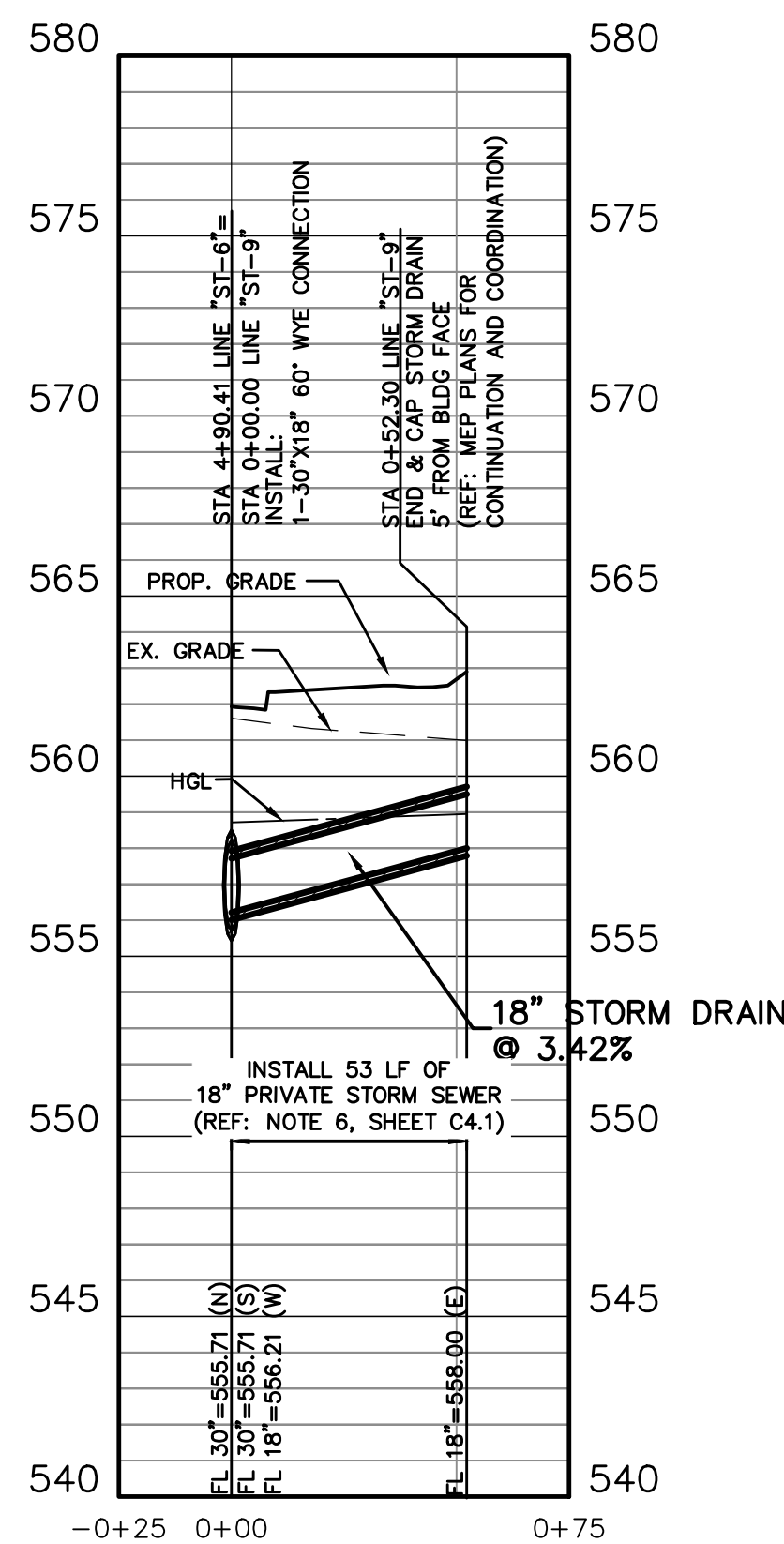
PROFILE ST-7

Downstream Station	Upstream Station	Q (cfs)	V (fps)	V ² /2g (ft)	S _r	Q _{cap} (cfs)
6.09	0+11.38	6.09	3.45	0.18	0.0034	30.63



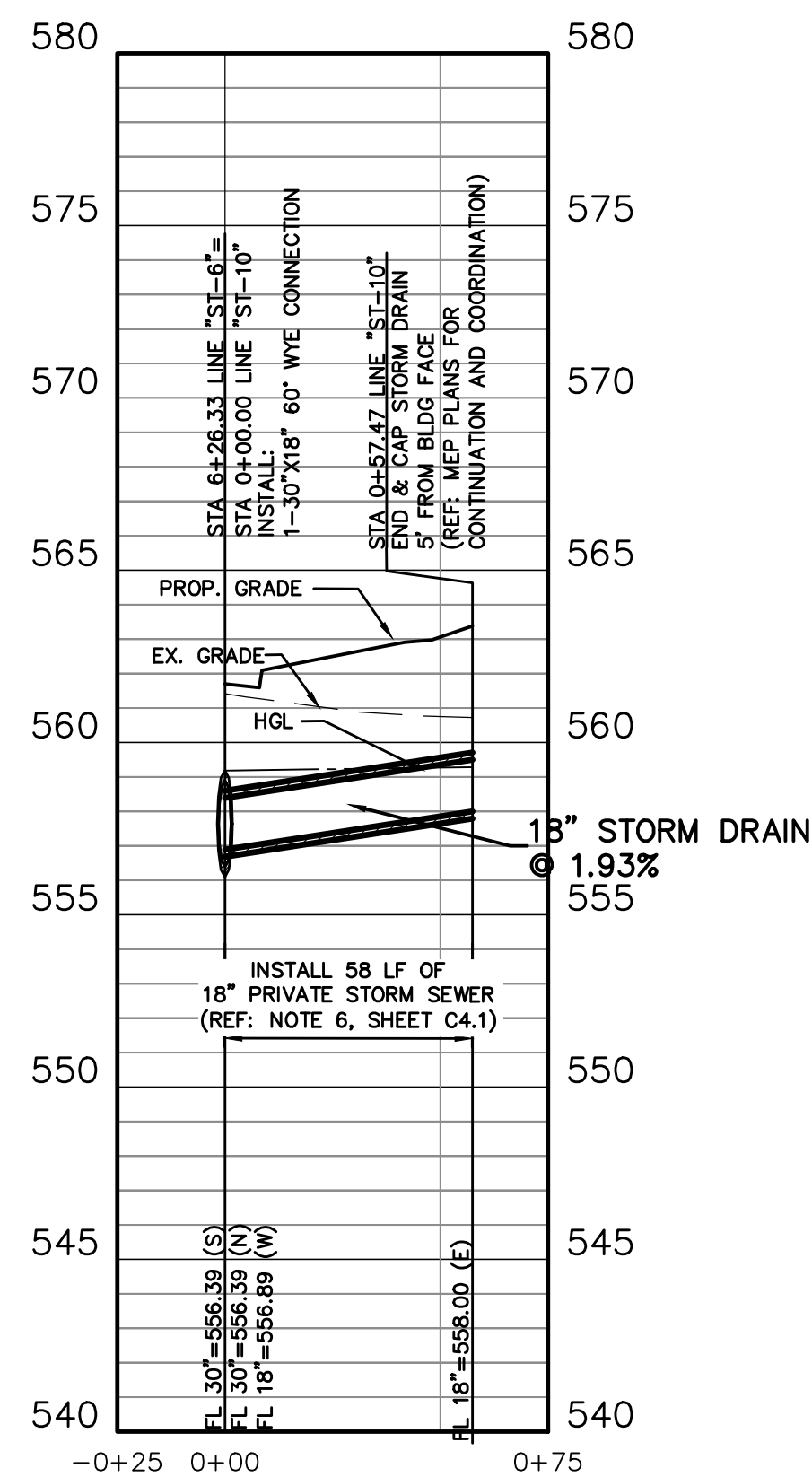
PROFILE ST-8

Downstream Station	Upstream Station	Q (cfs)	V (fps)	V ² /2g (ft)	S _r	Q _{cap} (cfs)
0+00.00	0+45.86	12.26	6.94	0.75	0.0136	21.63



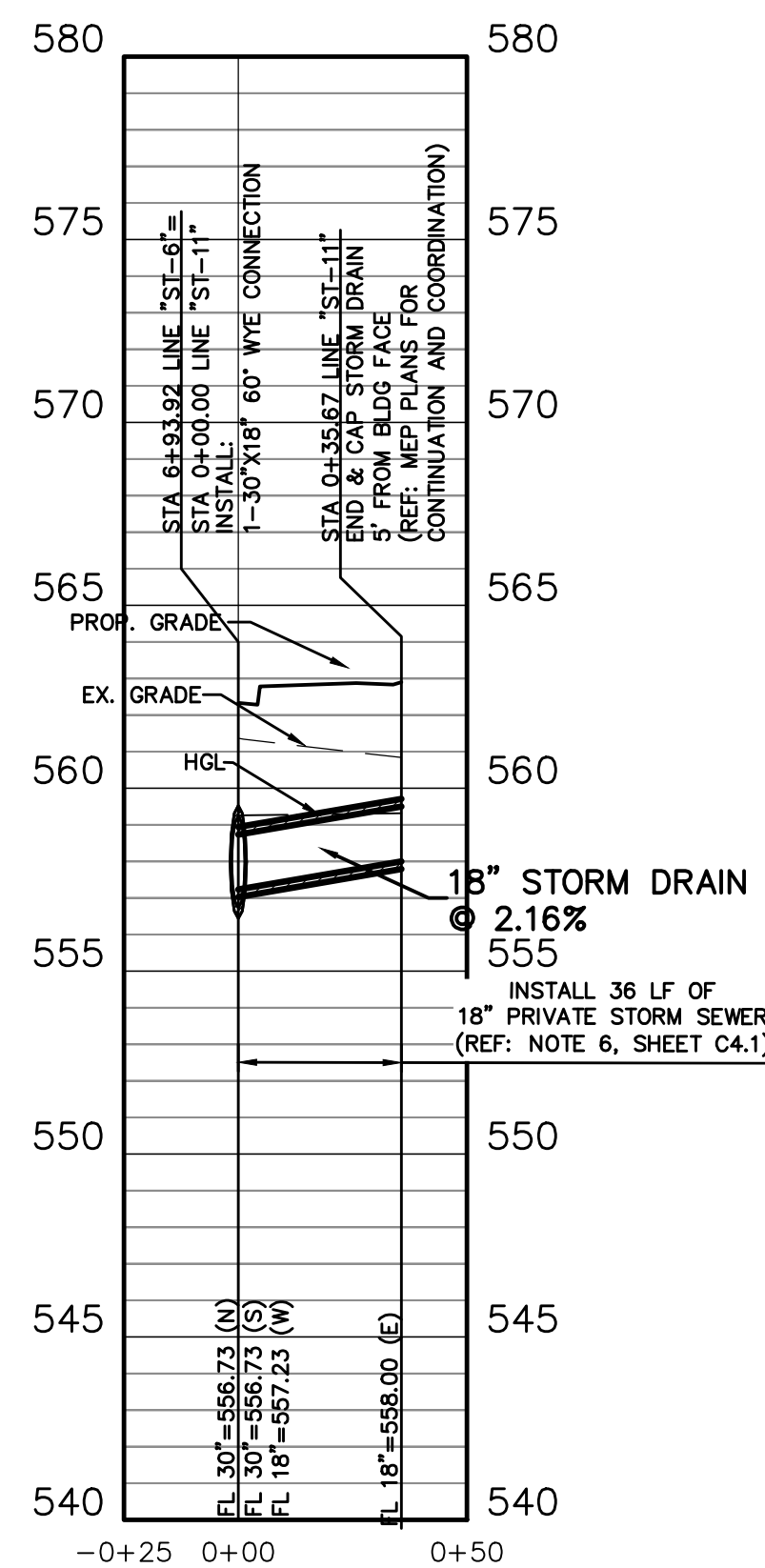
PROFILE ST-9

Downstream Station	Upstream Station	Q (cfs)	V (fps)	V ² /2g (ft)	S _r	Q _{cap} (cfs)
0+00.00	0+52.30	6.97	3.94	0.24	0.0044	19.43



PROFILE ST-10

Downstream Station	Upstream Station	Q (cfs)	V (fps)	V ² /2g (ft)	S _r	Q _{cap} (cfs)
0+00.00	0+57.47	4.41	2.50	0.10	0.0018	14.59



PROFILE ST-11

Downstream Station	Upstream Station	Q (cfs)	V (fps)	V ² /2g (ft)	S _r	Q _{cap} (cfs)
0+00.00	0+35.67	4.41	2.50	0.10	0.0018	15.44

NOTE: ALL RESPONSIBILITY FOR ADEQUACY OF DESIGN REMAINS WITH THE DESIGN ENGINEER. THE CITY OF ROCKWALL, IN REVIEWING AND RELEASING PLANS FOR CONSTRUCTION, ASSUMES NO RESPONSIBILITY FOR ADEQUACY OR ACCURACY OF DESIGN.

NO.	09/29/2016	RECORD DRAWINGS	REVISION
		7557 RAMBLER ROAD, SUITE 1400 DALLAS, TX 75231 972.235.3031 TX REG. ENGINEERING FIRM F-14439 TX REG. SURVEYING FIRM LS-101938-05	
STORM SEWER PROFILES CHANNELL BTS NWC JUSTIN RD. & JOHN KING BLVD. CHANNELL SUBDIVISION LOT 2, BLOCK A CITY OF ROCKWALL, ROCKWALL COUNTY, TEXAS			
DESIGN	DRAWN	DATE	SCALE
SMH/MG	MG	NOV 2014	H:1"=40' V:1"=5'
NOTES	FILE	NO.	
			C4.4

RECORD DRAWING

THE SIGNED AND SEALED CONSTRUCTION DOCUMENT HAS BEEN REVISED TO REFLECT CONSTRUCTION RECORDS MAINTAINED AND PROVIDED BY THE CONTRACTOR FOR THIS PROJECT. THE INFORMATION SHOWN ON THIS RECORD DRAWING, WHICH WAS PROVIDED BY THE CONTRACTOR, OR OTHERS NOT ASSOCIATED WITH THE DESIGN ENGINEER, CANNOT BE VERIFIED FOR ACCURACY OR COMPLETENESS. PACHECO KOCH SHALL ASSUME NO LIABILITY FOR ANY CHANGES MADE DURING CONSTRUCTION THAT WERE NOT SPECIFICALLY APPROVED BY THE ENGINEER PRIOR TO CONSTRUCTION. THE SEALED CONSTRUCTION DRAWINGS ARE ON FILE AT THE OFFICES OF PACHECO KOCH.

ATTESTED BY: *Steven Heilbrun*
 SIGNATURE: _____
 ENGINEER OF RECORD: STEVEN HEILBRUN, P.E.
 CONTRACTOR: BOB MOORE CONSTRUCTION, INC.
 DATE REVISED: 09/29/2016