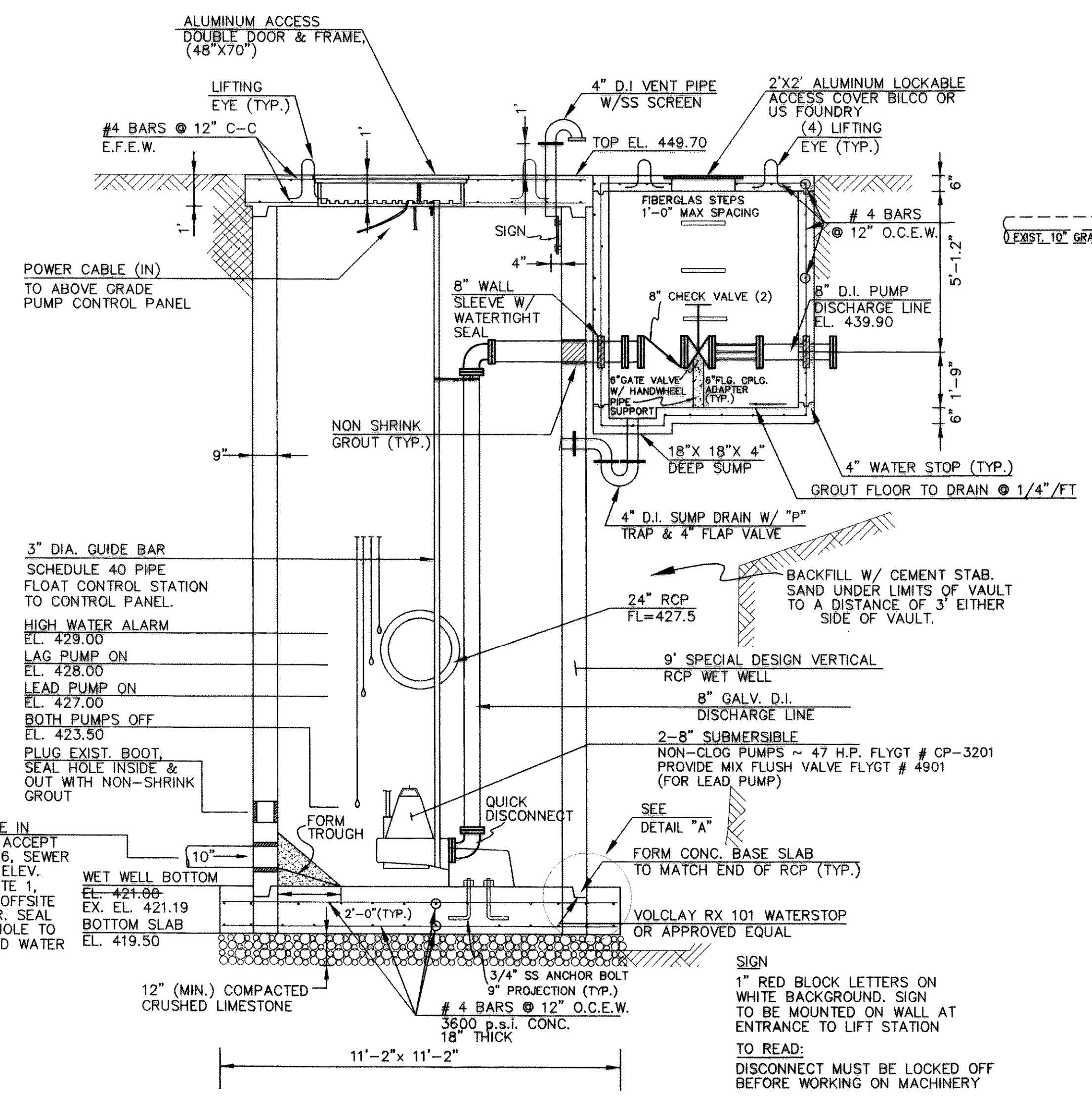
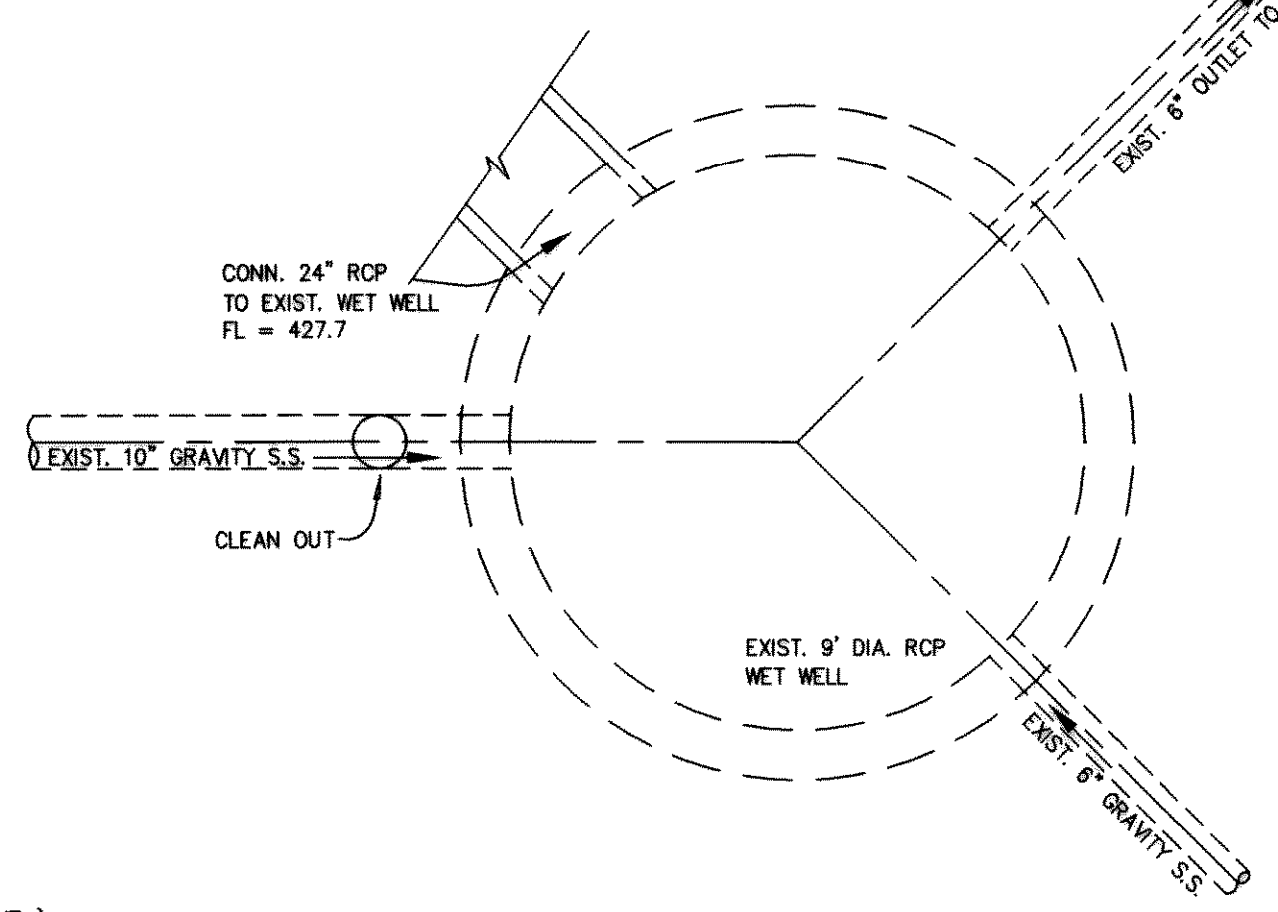


LIFT STATION ~ MANHOLE
TOP SLAB, PUMP & PIPING
PLAN VIEW
SCALE: 1"=3'

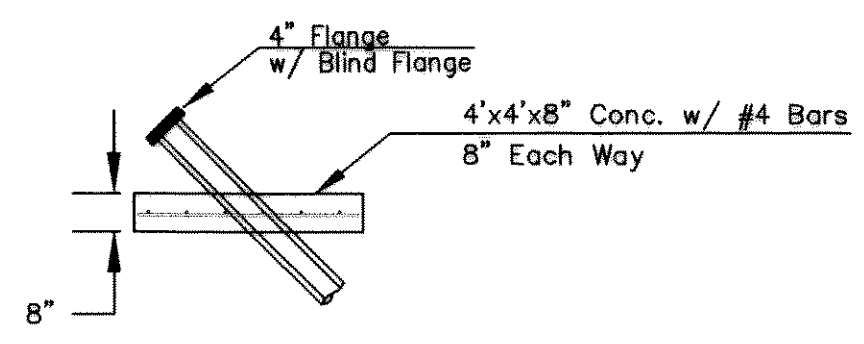
* DIMENSION PER
MANUFACTURER'S
RECOMMENDATION
** 18"X 18"X 4"
DEEP SUMP
*** 6" FLG. CPLG. ADAPTER
W/ (4) 1/2" A36 STEEL THRUST
RODS. POLY-WRAP CPLG.



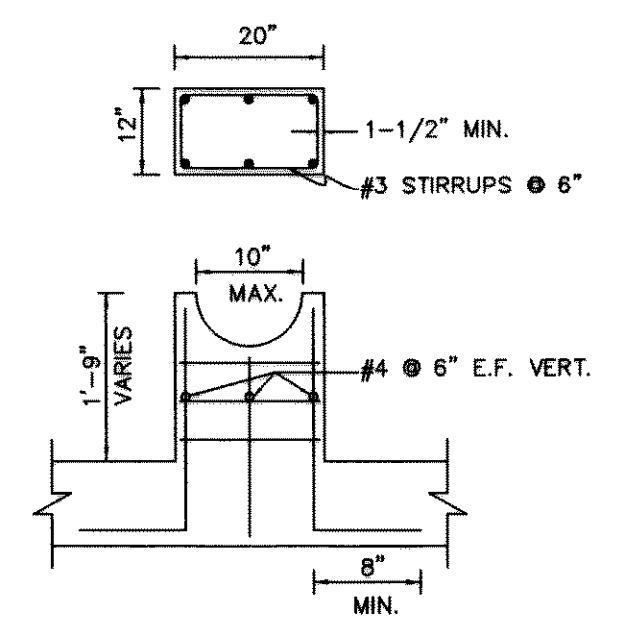
PROFILE
SCALE: 1"=3'



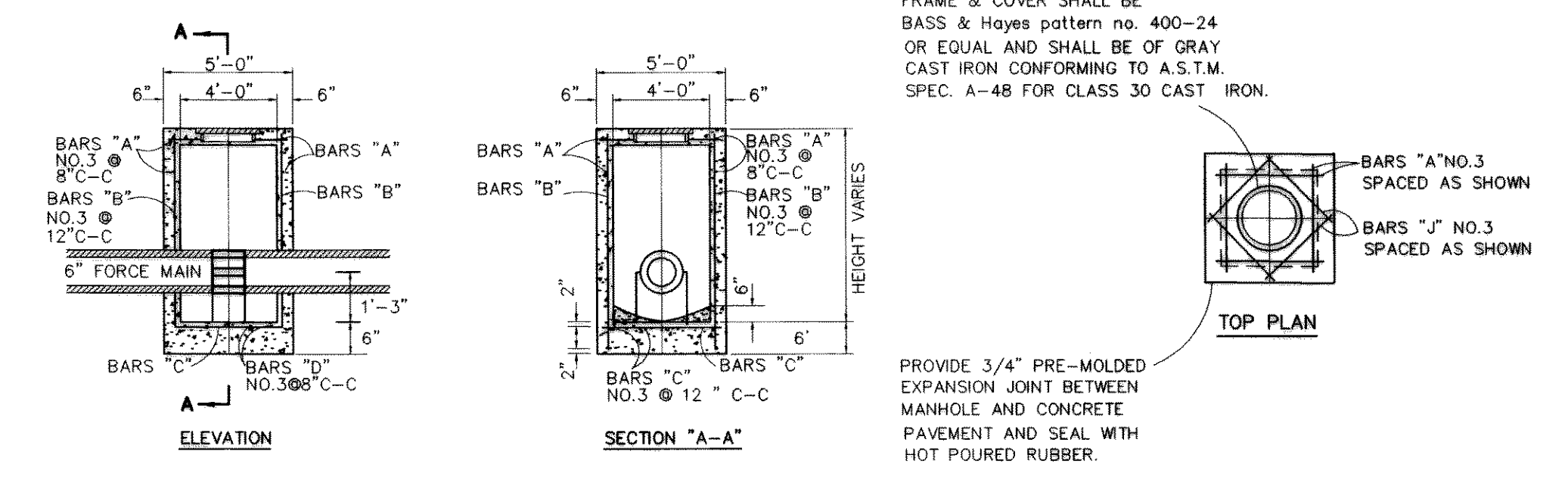
DETAIL "A"
NOT TO SCALE



BY-PASS DETAIL
NOT TO SCALE



PIPE SUPPORT DETAIL
NOT TO SCALE

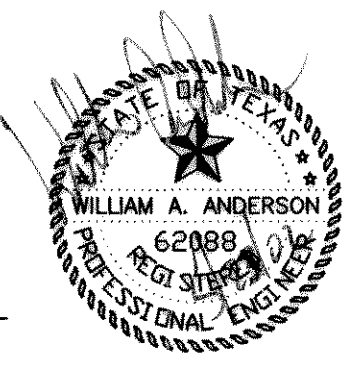


TYPE "A" MANHOLE
NOT TO SCALE

NOTE:
FRAME & COVER SHALL BE
BASS & Hayes pattern no. 400-24
OR EQUAL AND SHALL BE OF GRAY
CAST IRON CONFORMING TO A.S.T.M.
SPEC. A-48 FOR CLASS 30 CAST IRON.

PROVIDE 3/4" PRE-MOLDED
EXPANSION JOINT BETWEEN
MANHOLE AND CONCRETE
PAVEMENT AND SEAL WITH
HOT POURED RUBBER.

These construction plans were prepared
under the responsible supervision of
William A. Anderson, Registered Professional
Engineer No. 62088



NO.	DATE	BY	REVISION
1	10/30/01	GB	POST CONSTRUCTION CONNECTION FOR 10" SEWER INTO WET WELL.
2	5/23/02	GB	DELETED FLOW METER AND ADDED CLEANOUT ON 10" SEWER AT WET WELL.

CHAMPION ROAD-LIFT STATION 05-23-02
RECORD DRAWINGS
NOTE: THE INTENT OF THE OWNER AND ENGINEER
WAS TO CONSTRUCT THE IMPROVEMENTS
ACCORDING TO THESE PLANS AS APPROVED BY THE
CITY OF ROCKWALL. THE LINES AND GRADES
WERE SET ON THE GROUND FOR CONSTRUCTION
ACCORDING TO SAID PLANS. WE ARE NOT AWARE
OF ANY CHANGES OR REVISIONS TO THESE PLANS
DURING CONSTRUCTION EXCEPT AS NOTED ON THE
PLANS.

LIFT STATION DETAILS HILLSIDE PHASE 4						
CITY OF ROCKWALL						
ROCKWALL COUNTY, TEXAS						
DOWDEY, ANDERSON & ASSOCIATES, INC.						
5225 VILLAGE CREEK DR., STE. 200 (972) 931-0694 PLANO, TEXAS						
DESIGN	DRAWN	CHECKED	DATE	SCALE	JOB	SHEET
DJR	SWK	WAA	OCT. 2001	AS NOTED	99015	1/1