

**MASONRY WALL SCHEDULE**  
1500 psf - BEARING CAPACITY (STIFF UNDISTURBED SOIL OR COMPACTED & TESTED SOIL - SEE GENERAL NOTES RW1)

WALL HEIGHT H	BATTER A	BASE WIDTH B	TOE B1	WALL THICKNESS T	BASE DEPTH (TOE) C	BASE DEPTH (HEEL) C1	FULLY MORTARED STONE E	GRAVEL G1	VOLUME STONE c/ft	BEARING CAPACITY	
>4'-0"	0'-8"	2'-5"	0'-3"	2'-2"	1'-0"	0'-6"	FULLY MORTARED	1'-0"	10.7	1500 psf	
5'-0"	0'-10"	2'-11"	0'-4"	2'-7"	1'-0"	0'-7"	0'-8"	1'-0"	15.0		
6'-0"	1'-0"	3'-8"	0'-5"	3'-1"	1'-3"	0'-8"	0'-10"	1'-0"	21.9		
7'-0"	1'-2"	4'-0"	0'-6"	3'-6"	1'-3"	0'-9"	0'-10"	1'-0"	28.4		
8'-0"	1'-4"	4'-7"	0'-6"	4'-1"	1'-6"	0'-10"	1'-0"	1'-0"	38.3		
9'-0"	1'-6"	5'-1"	0'-7"	4'-6"	1'-6"	0'-11"	1'-0"	1'-0"	46.9		
10'-0"	1'-8"	5'-8"	0'-8"	5'-0"	1'-6"	1'-0"	1'-2"	1'-0"	57.3		
11'-0"	1'-10"	6'-1"	0'-8"	5'-5"	1'-6"	1'-1"	1'-2"	1'-0"	67.5		1650 psf
12'-0"	2'-0"	6'-8"	0'-9"	5'-11"	1'-9"	1'-2"	1'-4"	1'-0"	81.7		1800 psf

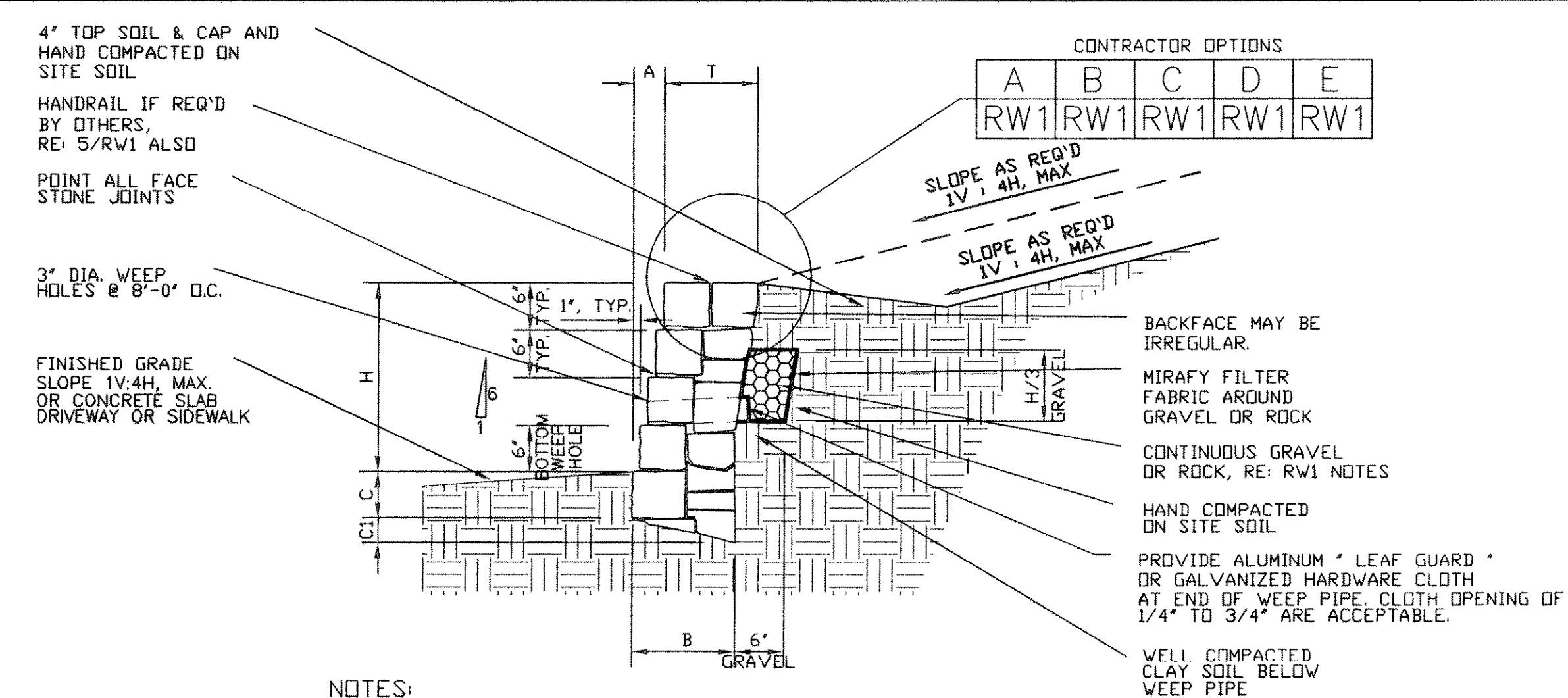
USE THIS SCHEDULE FOR 3/RW3

**MASONRY WALL SCHEDULE**  
2500 psf - BEARING CAPACITY (HARD UNDISTURBED SOILS - SEE GENERAL NOTES RW1)

WALL HEIGHT H	BATTER A	BASE WIDTH B	TOE B1	WALL THICKNESS T	BASE DEPTH (TOE) C	BASE DEPTH (HEEL) C1	FULLY MORTARED STONE E	GRAVEL G1	VOLUME STONE c/ft	BEARING CAPACITY
>4'-0"	0'-8"	2'-3"	0'-3"	2'-0"	1'-0"	0'-5"	FULLY MORTARED	1'-0"	9.7	2500 psf
5'-0"	0'-10"	2'-8"	0'-4"	2'-4"	1'-0"	0'-6"	0'-8"	1'-0"	13.6	
6'-0"	1'-0"	3'-2"	0'-5"	2'-9"	1'-0"	0'-7"	0'-10"	1'-0"	18.8	
7'-0"	1'-2"	3'-9"	0'-6"	3'-3"	1'-3"	0'-8"	0'-10"	1'-0"	26.4	
8'-0"	1'-4"	4'-3"	0'-7"	3'-8"	1'-6"	0'-9"	1'-0"	1'-0"	34.6	
9'-0"	1'-6"	4'-9"	0'-8"	4'-1"	1'-6"	0'-11"	1'-0"	1'-0"	42.7	
10'-0"	1'-8"	5'-3"	0'-9"	4'-6"	1'-6"	1'-0"	1'-2"	1'-0"	51.8	
11'-0"	1'-10"	5'-9"	0'-10"	4'-11"	1'-6"	1'-1"	1'-2"	1'-0"	61.7	
12'-0"	2'-0"	6'-3"	0'-11"	5'-4"	1'-6"	1'-2"	1'-4"	1'-0"	72.5	

USE THIS SCHEDULE FOR 3/RW3

**3**  
RW3 TYPICAL WALL SECTION, BEARING ON CLAY SOILS  
SLOPE SOILS ON THE TOP OF WALL 1V : 4H ( 14 deg ), MAX. 3/4" = 1'-0"



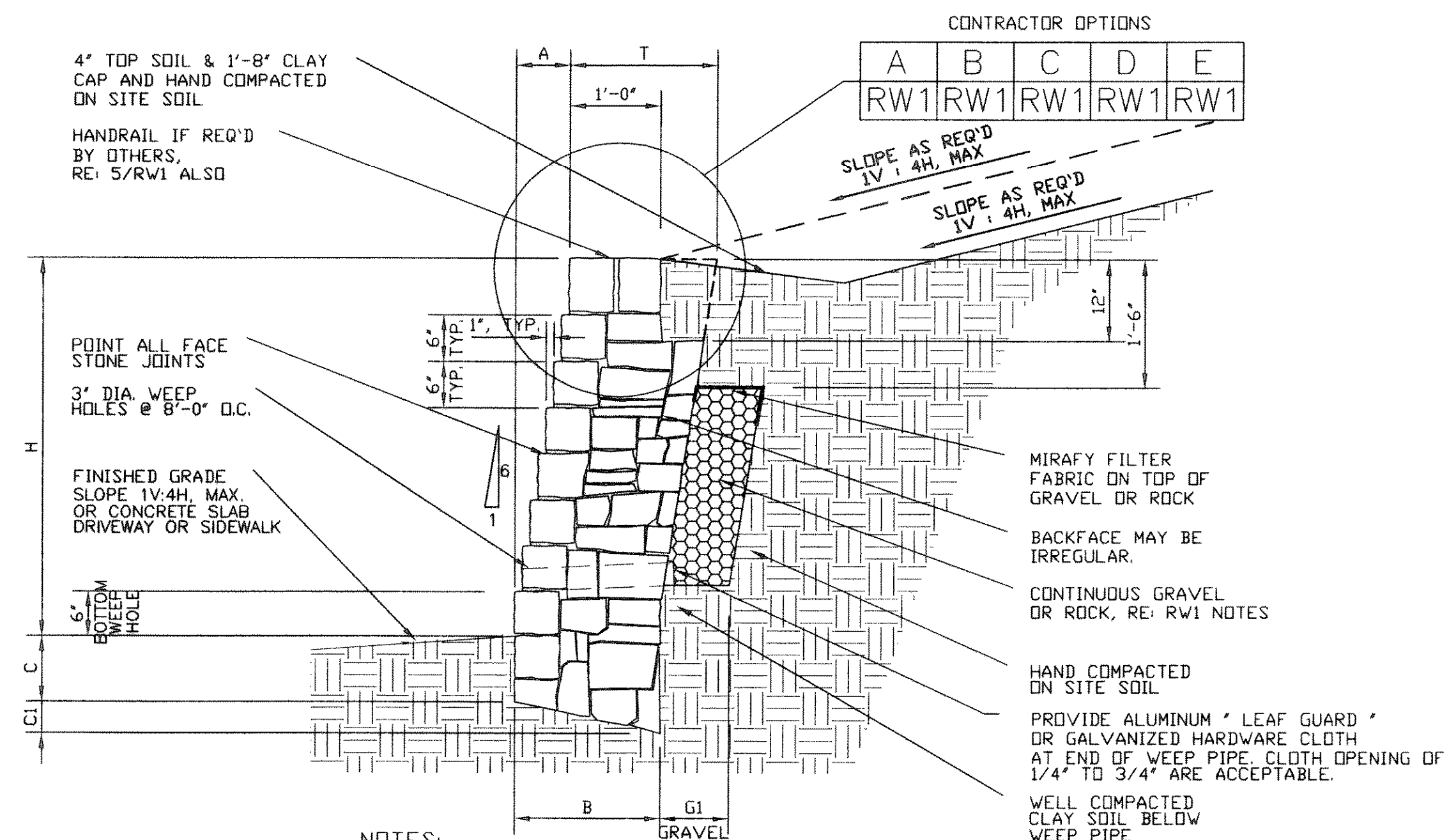
- NOTES:  
1. PLACEMENT OF STONE NEED NOT "COURSE OUT" EXCEPT AT FRONT FACE.  
2. ALL STONE IS TO BE FULLY MORTARED TOGETHER TOP, BOTTOM, FRONT AND BACK.  
3. FACE STONE PER OWNER/BUILDER.

**MASONRY WALL SCHEDULE**

WALL HEIGHT H	BATTER A	BASE WIDTH B	WALL THICKNESS T	BASE DEPTH (TOE) C	BASE DEPTH (HEEL) C1	VOLUME STONE c/ft	VOLUME GRAVEL c/ft
1'-0" OR SMALLER	0'-2"	1'-0"	1'-0"	0'-6"	0'-3"	1.6	0.2
1'-6"	0'-3"	1'-0"	1'-0"	0'-6"	0'-3"	2.1	0.25
< 2'-0"	0'-4"	1'-0"	1'-0"	0'-6"	0'-3"	2.6	0.3

USE THIS SCHEDULE FOR 1/RW3

**1**  
RW3 TYPICAL WALL SECTION, "H" UP TO < 2'-0", ALL SOIL BEARING CONDITIONS  
SLOPE SOILS ON THE TOP OF WALL 1V : 4H ( 14 deg ), MAX. 3/4" = 1'-0"



- NOTES:  
1. PLACEMENT OF STONE NEED NOT "COURSE OUT" EXCEPT AT FRONT FACE.  
2. ALL STONE IS TO BE FULLY MORTARED TOGETHER TOP, BOTTOM, FRONT AND BACK.  
3. FACE STONE PER OWNER/BUILDER.

**MASONRY WALL SCHEDULE**  
1500 psf - BEARING CAPACITY (STIFF NATURAL UNDISTURBED SOILS OR COMPACTED AND TESTED SOILS SEE GENERAL NOTES SHEET RW1)

WALL HEIGHT H	BATTER A	BASE WIDTH B	WALL THICKNESS T	BASE DEPTH (TOE) C	BASE DEPTH (HEEL) C1	GRAVEL (BOTTOM) G1	VOLUME STONE c/ft	VOLUME GRAVEL c/ft
> 2'-0"	0'-6"	1'-0"	1'-0"	0'-6"	0'-3"	0'-6"	2.6	0.3
3'-0"	0'-6"	1'-3"	1'-3"	0'-9"	0'-3"	0'-6"	4.6	0.8
< 4'-0"	0'-8"	1'-7"	1'-7"	0'-9"	0'-4"	0'-9"	7.2	1.9

USE THIS SCHEDULE FOR 2/RW3

**MASONRY WALL SCHEDULE**  
2500 psf - BEARING CAPACITY (HARD NATURAL UNDISTURBED SOILS SEE GENERAL NOTES SHEET RW1)

WALL HEIGHT H	BATTER A	BASE WIDTH B	WALL THICKNESS T	BASE DEPTH (TOE) C	BASE DEPTH (HEEL) C1	GRAVEL (BOTTOM) G1	VOLUME STONE c/ft	VOLUME GRAVEL c/ft
> 2'-0"	0'-6"	1'-0"	1'-0"	0'-6"	0'-3"	0'-6"	2.6	0.3
3'-0"	0'-6"	1'-1"	1'-1"	0'-6"	0'-3"	0'-6"	3.8	0.8
< 4'-0"	0'-8"	1'-5"	1'-5"	0'-6"	0'-3"	0'-9"	6.5	1.9

USE THIS SCHEDULE FOR 2/RW3

**2**  
RW3 TYPICAL WALL SECTION, "H" > 2'-0" TO < 4'-0" MAX., BEARING CLAY SOILS  
SLOPE SOILS ON THE TOP OF WALL 1V : 4H ( 14 deg ), MAX. 3/4" = 1'-0"

**FALKOFSKE ENGINEERING, INC.**  
Structural Engineering Consultants  
1414 West Randol Mill Road  
Arlington, Texas 76012  
Metro (817) 261-6300

DATE	BY	NO.	DATE	BY
04-25-06	TJF			
04-25-06	YG			
04-25-06	TJF			

The use of these plans and specifications shall be restricted to the project for which they were prepared. Any other use, reproduction, resale, or modification without the written consent of FALKOFSKE ENGINEERING, INC. is prohibited.

MASONRY RETAINING WALLS WITH REDUCED GRAVEL BEHIND WALL  
CASTLE RIDGE ESTATES, PHASE 1  
S.H. 205 AND F.M. 552  
ROCKWALL, TEXAS

**ENGINEERED RETAINING WALL SYSTEMS, INC.**  
EULESS, TEXAS

STATE OF TEXAS  
TIMOTHY JOHN FALKOFSKE  
54507  
Professional Engineer

JOB NO. 132.06  
RW3