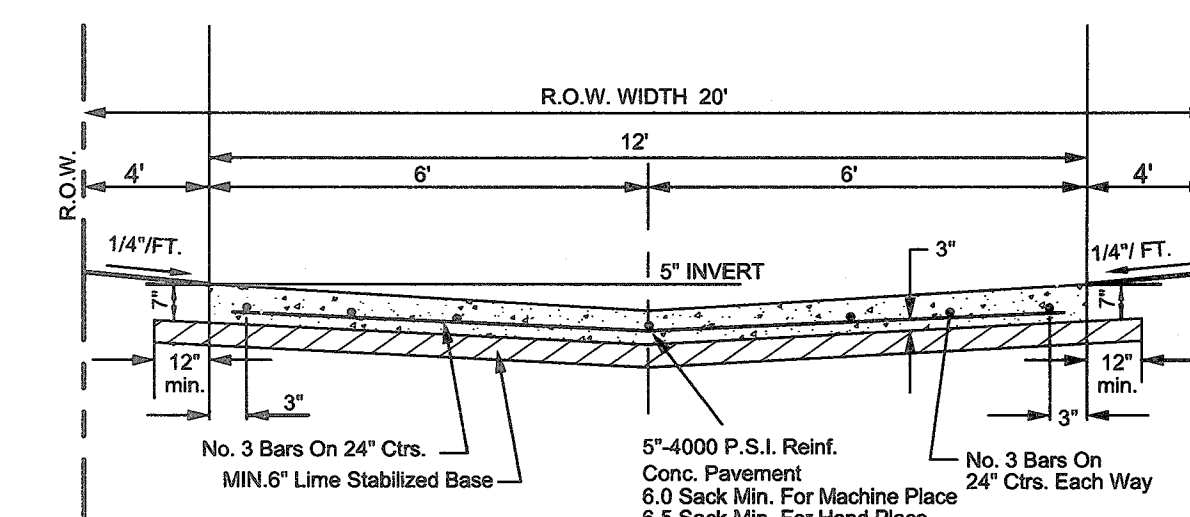


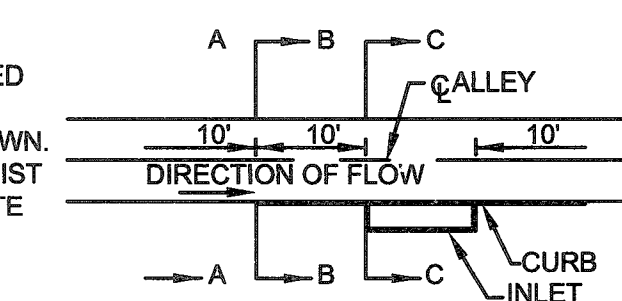
TYPICAL ALLEY WARPING AT INLET
N.T.S.



STANDARD 12' ALLEY SECTION
N.T.S.

NOTE:

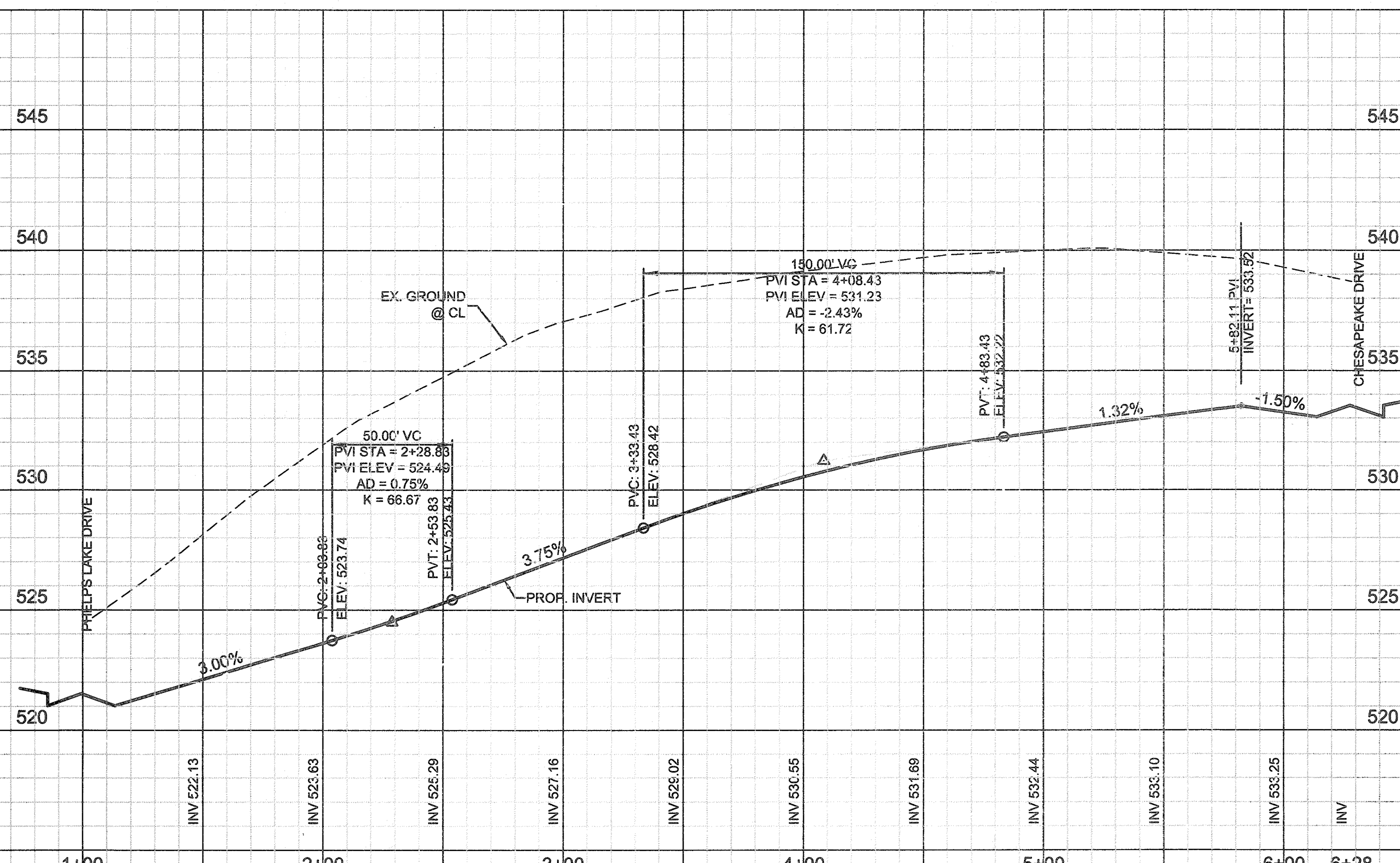
- PAVEMENT FOR STREETS SHALL CONSIST OF 6\" 3600 P.S.I. REINFORCED CONCRETE AND 6\" LIME-STABILIZED SUBGRADE WITH 6\" PARABOLIC CROWN.
- PAVEMENT FOR ALLEYS SHALL CONSIST OF 4000 P.S.I. REINFORCED CONCRETE AND 6\" LIME-STABILIZED SUBGRADE WITH 5\" INVERT. TYPICAL ALLEY SECTION WILL BE 7\"-5\"-7\".
- CONTRACTOR TO RUN LIME SERIES BEFORE CONSTRUCTION.



AS-BUILT DRAWINGS:

TO THE BEST OF JBI PARTNERS, INC.'S KNOWLEDGE, JBI HEREBY STATES THAT THIS PLAN IS AS-BUILT. THE INFORMATION PROVIDED IS BASED ON CONSTRUCTION STAKING AND PAD VERIFICATION AT THE SITE AND INFORMATION PROVIDED BY THE CONTRACTOR.

Daniel Dewey 4/11/2014
Name Date



ALL RESPONSIBILITY FOR ADEQUACY OF DESIGN REMAINS WITH THE DESIGN ENGINEER. THE CITY OF ROCKWALL, IN REVIEWING AND RELEASING PLANS FOR CONSTRUCTION, ASSUMES NO RESPONSIBILITY FOR ADEQUACY OR ACCURACY OF DESIGN.

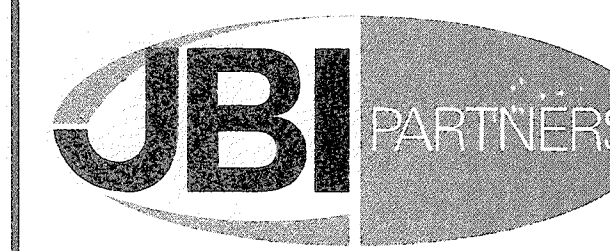
BENCHMARKS

- X-chiseled in CL of Alley East of Morningstar Drive within the third lot north of Midnight Pass. Elevation = 513.26
- PK Nail in CL of Caruth Lane & Alley Intersection 150 feet +/- east of Morningstar Drive. Elevation = 491.68

NO.	REVISIONS DURING CONSTRUCTION	BY	DATE	NO.	SUBMITTALS	DATE

The seal appearing on this document was authorized by DANIEL DEWEY, P.E. 93961. Alteration of a sealed document without proper notification to the responsible engineer is an offense under the Texas Engineering Practice Act.

DANIEL DEWEY
93961
5-17-13



16301 Quorum Drive
Suite 200 B
Addicks, Texas 75001
Main 972.248.7676
Fax 972.248.1414
www.jbipartners.com

PAVING PLAN & PROFILE

ALLEY 1

Caruth Lakes Phase 8A

City of Rockwall, Texas

PROJECT NO.

HOE132

SHEET NO.

11