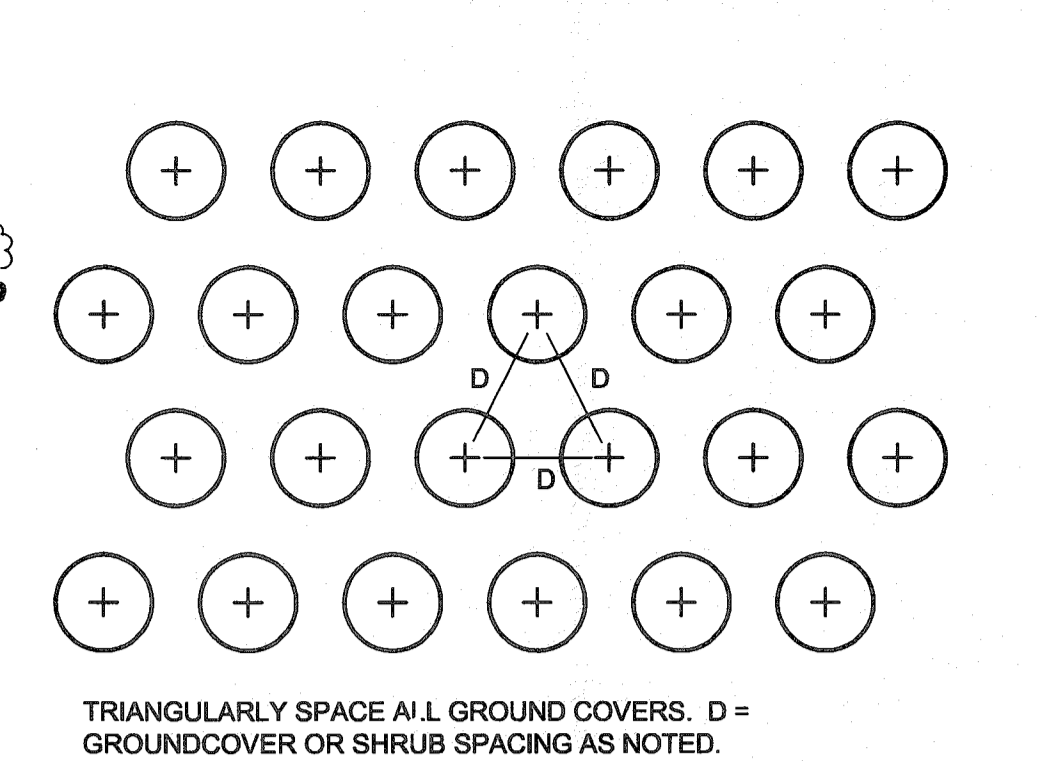


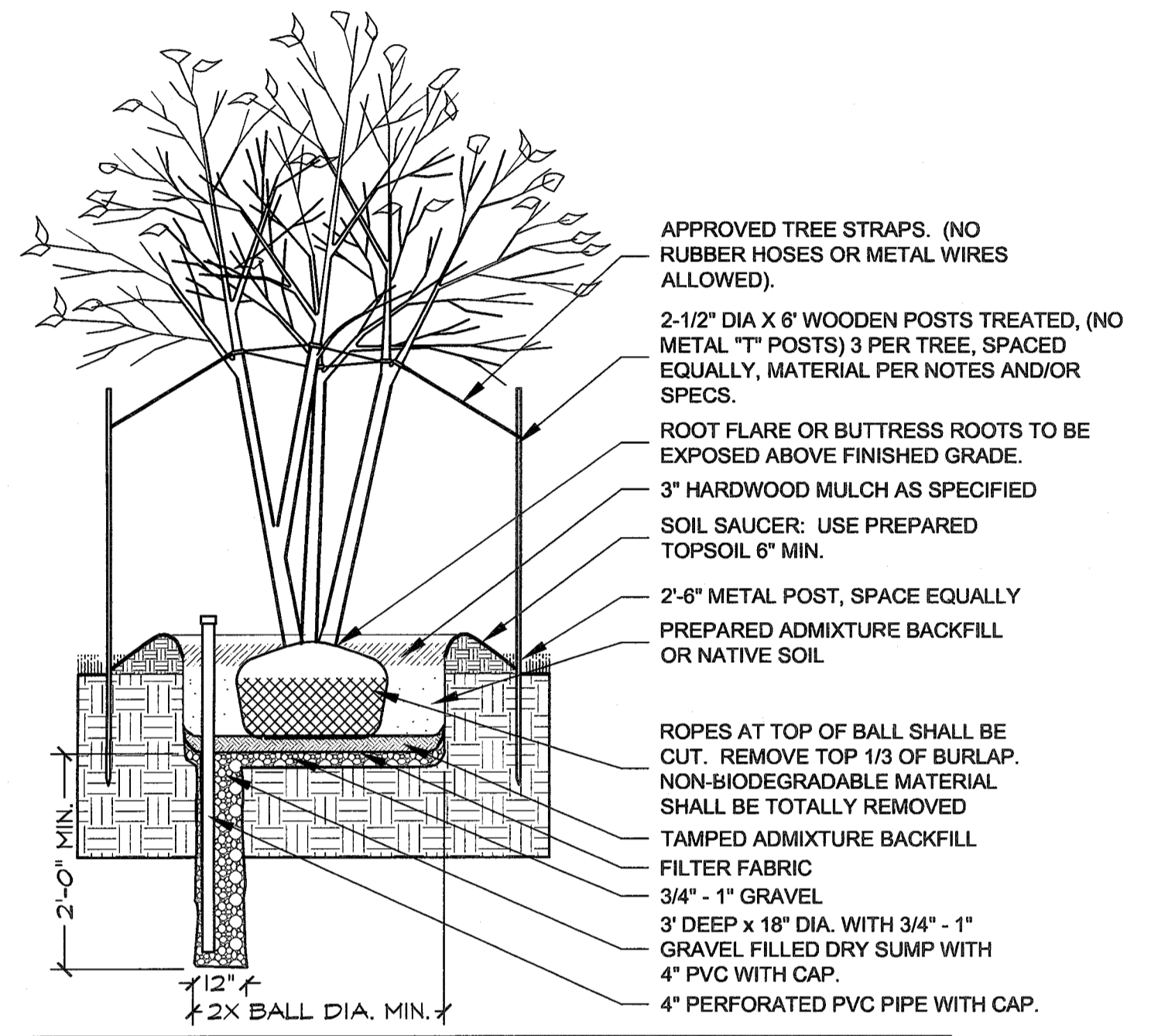
**1 SHRUB & GROUNDCOVER PLANTING DETAIL**  
L12 NOT TO SCALE



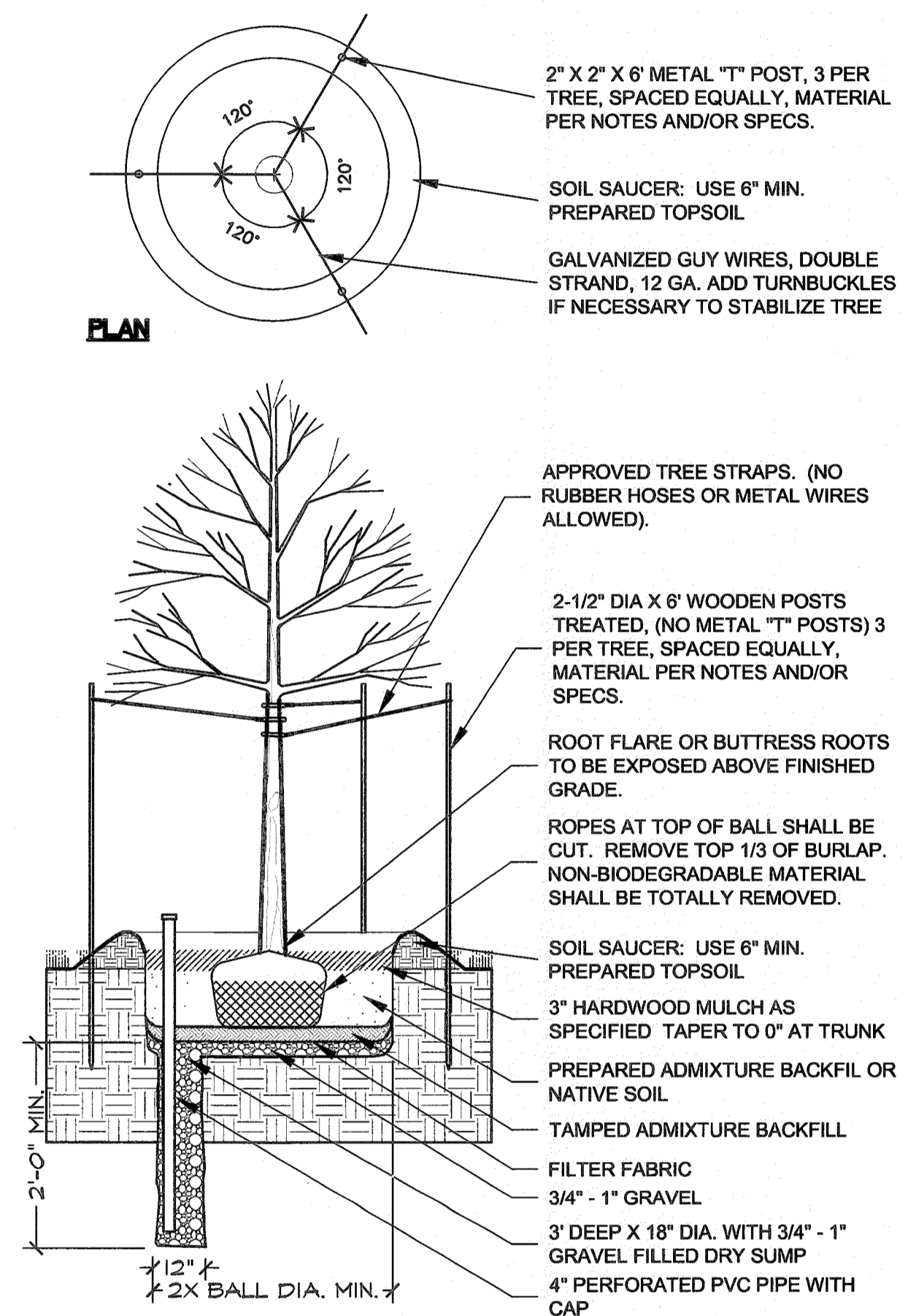
**CARUTH LAKES PHASE 7B AND 8A PLANT LIST**

SYMBOL	COMMON/BOTANICAL NAME	SIZE	SPACING	PH 7B QTY	PH 7B QTY	REMARKS
A	LIVE OAK / QUERCUS VIRGINIANA	4" CALIPER	AS SHOWN	8	8	MINIMUM 14' HEIGHT X 7' SPREAD; FULL ROUNDED HEAD WITH MINIMUM 7' BRANCHING HEIGHT; NURSERY OR CONTAINER GROWN
B	CHINESE PISTACHIO / PISTACHIA CHINENSIS	4" CALIPER	AS SHOWN	7	4	MINIMUM 14' HEIGHT X 7' SPREAD; FULL ROUNDED HEAD WITH MINIMUM 7' BRANCHING HEIGHT; NURSERY OR CONTAINER GROWN
C	WAX MYRTLE / MYICA CERIFERA'	6"-8" HT.	AS SHOWN	20	10	MINIMUM 6' HEIGHT X 3' SPREAD; MULTI STEM; NURSERY GROWN; FULL TO GROUND; CONTAINER GROWN
D	CRAPE MYRTLE / LAGERSTROEMIA INDICA 'DALLAS RED'	6"-8" HT.	AS SHOWN	15	11	MINIMUM 6' HEIGHT X 3' SPREAD; MINIMUM 3 CANES @ 1-1/2" CALIPER PER CANE; CONTAINER GROWN
E	NELLIE R STEVENS HOLLY / ILEX X 'NELLIE R. STEVENS'	5 GAL.	5' O.C.	138	85	MINIMUM 4'-6" HEIGHT X 2'-6" SPREAD; FULL PLANTS; CONTAINER GROWN
F	INDIAN HAWTHORN / RHAPIOLEPSIS INDICA 'SPRING TIME'	10 GAL. MIN.	24" O.C.	13	0	MINIMUM 6' HEIGHT X 16" SPREAD; FULL PLANTS; NURSERY GROWN
G	DWARF BURFORD HOLLY / ILEX CORNUTA BUFORDI 'NANA'	5 GAL.	36" O.C.	0	0	MINIMUM 18" HEIGHT X 18" SPREAD; FULL PLANTS; NURSERY GROWN
H	KNOCK OUT ROSE / ROSA RADRAZZ'	5 GAL.	36" O.C.	10	32	MINIMUM 24" HEIGHT X 24" SPREAD; FULL PLANTS; NURSERY GROWN
J	DWARF YAUPON HOLLY / ILEX VOMITORIA 'NANA'	5 GAL.	24" O.C.	0	14	MINIMUM 15" HEIGHT X 15" SPREAD; FULL PLANTS; NURSERY GROWN
K	HAMLIN GRASS / PENNISETUM ALOPECUROIDES 'HAMELN'	2 GAL.	24" O.C.	18	122	MINIMUM 12" HEIGHT X 12" SPREAD; FULL PLANTS; NURSERY GROWN
L	ASIAN JASMINE / TRACHELOSPERMUM ASIATICUM'	1 GAL.	18" O.C.	325	210	MINIMUM 8 RUNNERS PER PLANT, MINIMUM 12" LONG PER RUNNER; FULL PLANTS
M	SEASONAL COLOR	4" POTS	8" O.C.	300	420	VARIETY TO BE DETERMINED AT TIME OF PLANTING
	BERMUDA GRASS / CYNDON DACTYLON			15,600 SF	9,200 SF	SOLID BERMUDA SOD

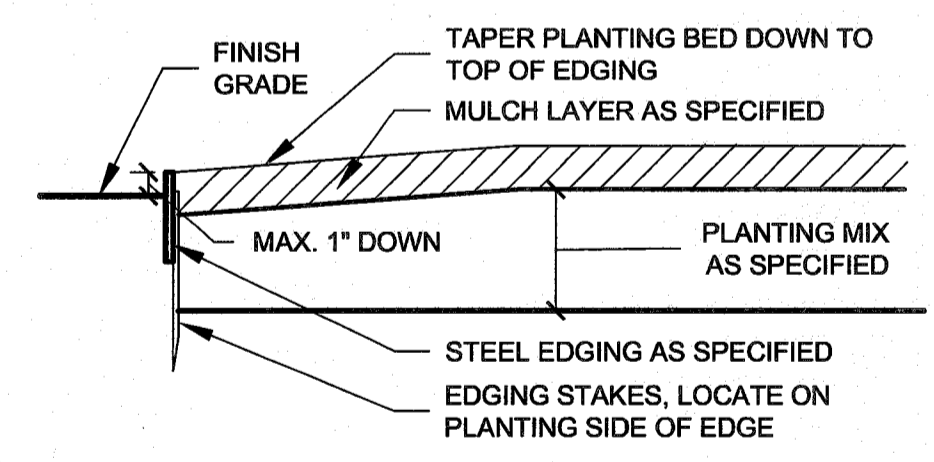
NOTES:  
 QUANTITIES SHOWN IN PLANT LIST ARE AN AID ONLY. VERIFY PLANT QUANTITIES DIRECTLY FROM THE PLANS. THE CONTRACTOR IS RESPONSIBLE FOR THE PLANT QUANTITIES SHOWN ON THE PLANS.  
 ALL PLANT MATERIALS ARE TO BE HIGH QUALITY AND SHALL MEET OR EXCEED GRADES AND STANDARDS SET FORTH BY THE TEXAS ASSOCIATION OF NURSERYMEN AND "AMERICAN STANDARDS FOR NURSERY STOCK". PLANT MATERIALS SHALL BE IN ACCORDANCE WITH THE SIZE, HEIGHT, SPREAD AND CONDITION REMARKS AS SHOWN IN THE PLANT LIST.



**2 ORNAMENTAL TREE PLANTING DETAIL**  
L12 NOT TO SCALE



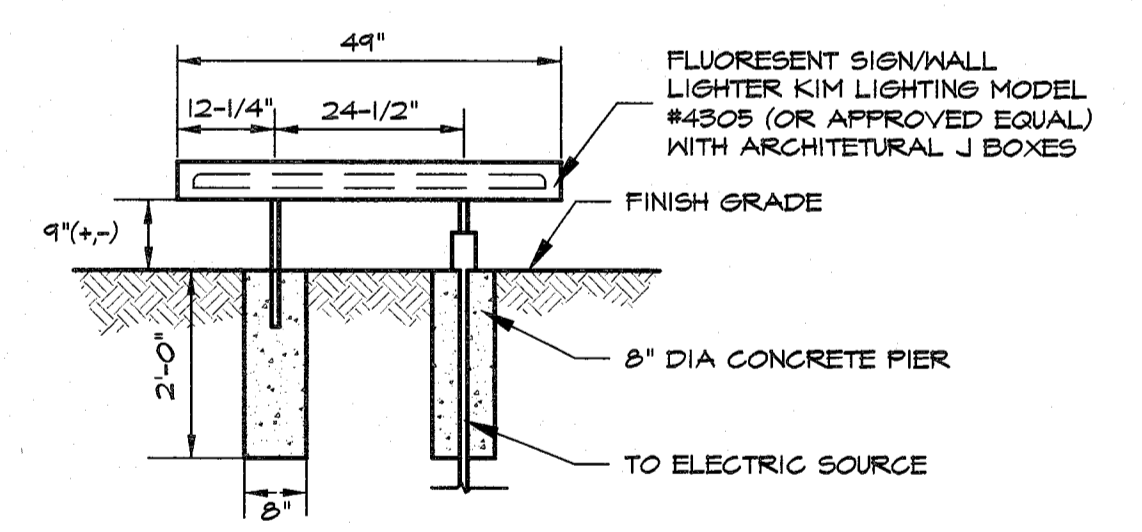
**3 SHADE TREE PLANTING DETAIL**  
L12 NOT TO SCALE



**4 TYPICAL BED EDGING DETAIL**  
L12 NOT TO SCALE

**SIGN LIGHTING NOTES**

- ALL WORK SHALL BE IN STRICT ACCORDANCE WITH THE GOVERNING LOCAL, STATE, AND NATIONAL CODES.
- THE LIGHTING CONTRACTOR SHALL BE RESPONSIBLE FOR ALL PERMITS, LICENSES AND CITY OF PLANO CODE ACCEPTANCE.
- THE LIGHTING LAYOUT SHOWN IS DIAGRAMMATIC AND DOES NOT SHOW EVERY REQUIRED MISCELLANEOUS DETAIL, SUPPORT, FITTING, ECT. FURNISH AND INSTALL ALL MATERIALS REQUIRED FOR A COMPLETE FUNCTIONING SYSTEM WHETHER OR NOT SHOWN ON THE PLAN.
- THE CONTRACTOR SHALL INSPECT THE SITE AS TO INFORM HIMSELF OF ALL CONDITIONS EFFECTING THE WORK. NO ADDITIONAL ALLOWANCES WILL BE MADE BECAUSE OF FAILURE TO OBTAIN INFORMATION ON SITE CONDITIONS.
- THE LIGHTING CONTRACTOR SHALL COORDINATE INSTALLATION OF FIXTURES WITH THE LANDSCAPE CONTRACTOR AS REQUIRED FOR THE PROPER SEQUENCE OF CONSTRUCTION.
- ALL WORK SHALL BE INSTALLED IN A FIRST CLASS MANNER CONSISTENT WITH INDUSTRY STANDARDS. MATERIALS OR EQUIPMENT WHICH DO NOT PRESENT A REASONABLY NEAT AND WORKMANLIKE APPEARANCE MAY BE DIRECTED TO BE REMOVED AND REPLACED BY THE OWNER REPRESENTATIVE.
- ALL WORK SHALL BE GUARANTEED AGAINST DEFECTS IN MATERIALS AND WORKMANSHIP FOR A PERIOD OF ONE YEAR FROM DATE OF FINAL ACCEPTANCE. THE GUARANTEE SHALL INCLUDE REPLACEMENT OR CORRECTION TO DAMAGE OF OTHER WORK OR MATERIALS CAUSED BY THIS WORK.
- ALL MATERIALS SHALL BE NEW U.L. LISTED AND CONFORM TO NATIONAL ELECTRIC CODES (NEC).
- INSTALL ALL FIXTURES IN ACCORDANCE WITH THE MANUFACTURER'S SPECIFICATIONS AND INSTRUCTIONS AND THE LOCAL BUILDING CODES.



**5 MONUMENT SIGN LIGHT**  
L12 NOT TO SCALE

**LANDSCAPE INSTALLATION NOTES**

- The contractor is responsible for making himself familiar with all underground utilities, pipes and structures whether or not shown on the plans. The contractor shall be responsible for location of all underground utilities and will be responsible for costs incurred due to damage or replacement of said utilities or structures caused by his forces.
- Do not willfully proceed with construction, as designed, when it is obvious that unknown obstructions or conflicts exist that may not have been known during design. Such conditions shall be brought immediately to the attention of the Owner's Representative. The contractor shall assume full responsibility for all necessary revisions due to failure to give such notification.
- The crown of all plants shall be slightly higher, after settling, than adjacent soil.
- The contractor shall be responsible for removing or adding topsoil as needed for the inclusion of the soil amendments.
- The contractor shall coordinate installation of the landscaping with installation of the irrigation system.
- All ground covers, seasonal color and shrub groupings are to be aligned in straight even rows and triangularly spaced at the spacing shown on the plant list.
- Prepare the top 2" of soil to be grassed by mechanically tilling. Rake all areas removing debris, clods and rocks 1" dia. and greater. Render soil loose and finely graded. Eliminate all depressions and ridges and provide a smooth, and even finish grade.
- All turf areas shown are to be solid sodded common bermuda grass, as noted on the plan.
- The contractor shall be responsible for obtaining all required landscape and irrigation permits.
- The landscape contractor shall receive the site at (+/-) .1' of finish grade.
- All planting beds and tree pits are to receive a minimum of 2" of shredded cedar or hardwood mulch top dressing. Save this operation until near final inspection.
- All shrubs are to be located a minimum of 3' from steel edging, curbs, walks and trees.
- All trees are to be located a minimum of 5' from all fire hydrants, utility lines and other underground structures.
- All planting areas shall be maintained weed free until final acceptance.
- All work shall be guaranteed against all defects in workmanship and materials for a period of one year from the date of final acceptance.
- The contractor shall adjust final plant material locations as needed to accommodate light fixtures, underground service lines, and other utilities.
- The contractor shall maintain positive drainage for all landscape and turf planting areas including drainage away from the improvements and toward all area and drainage inlets as shown.

AS-BUILT DRAWINGS:  
 TO THE BEST OF JBI PARTNERS, INC.'S KNOWLEDGE, JBI HEREBY STATES THAT THIS PLAN IS AS-BUILT. THE INFORMATION PROVIDED IS BASED ON CONSTRUCTION STAKING AND PAD VERIFICATION AT THE SITE AND INFORMATION PROVIDED BY THE CONTRACTOR.  
 Daniel Dewey 4/11/2014  
 Name Date

				DESIGNED BY:	JBI			16301 Quorum Drive Suite 200 B Addison, Texas 75240 Main 972.248.7676 Fax 972.248.1414 www.jbipartners.com	LANDSCAPE PLANTING DETAILS	PROJECT NO.
				DRAWN BY:	JBI				PHASE 7B AND 8A	HOE132
				CHECKED BY:	CBM				CARUTH LAKES	SHEET NO.
									CITY OF ROCKWALL, TEXAS	L12
NO.	REVISIONS DURING CONSTRUCTION	BY	DATE	NO.	REVISIONS DURING PLAN REVIEW	BY	DATE	CBM		