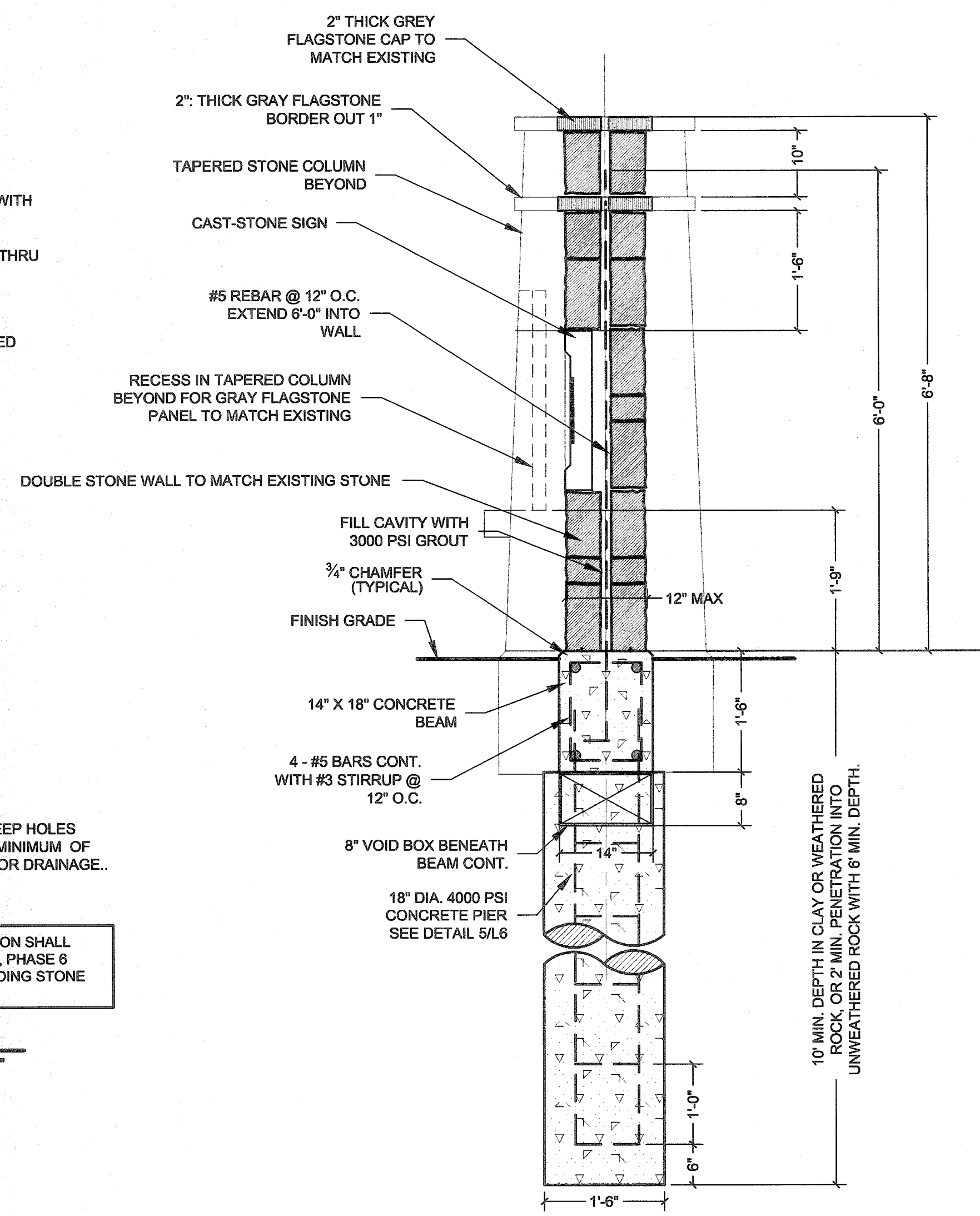


1 ENTRY WALL WITH SIGN PANEL ELEVATION

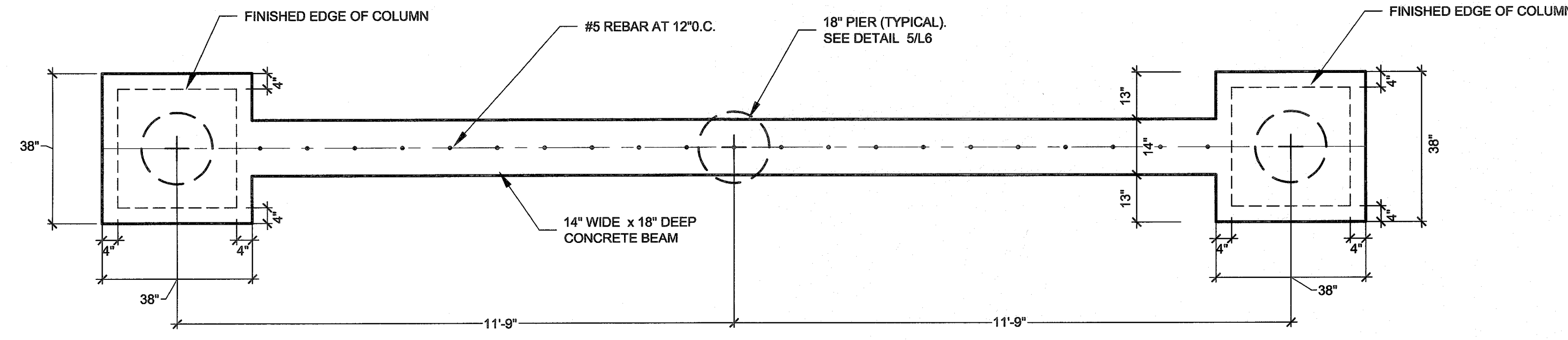
SCALE: 1/2" = 1'-0"



2 STONE SIGN WALL SECTION

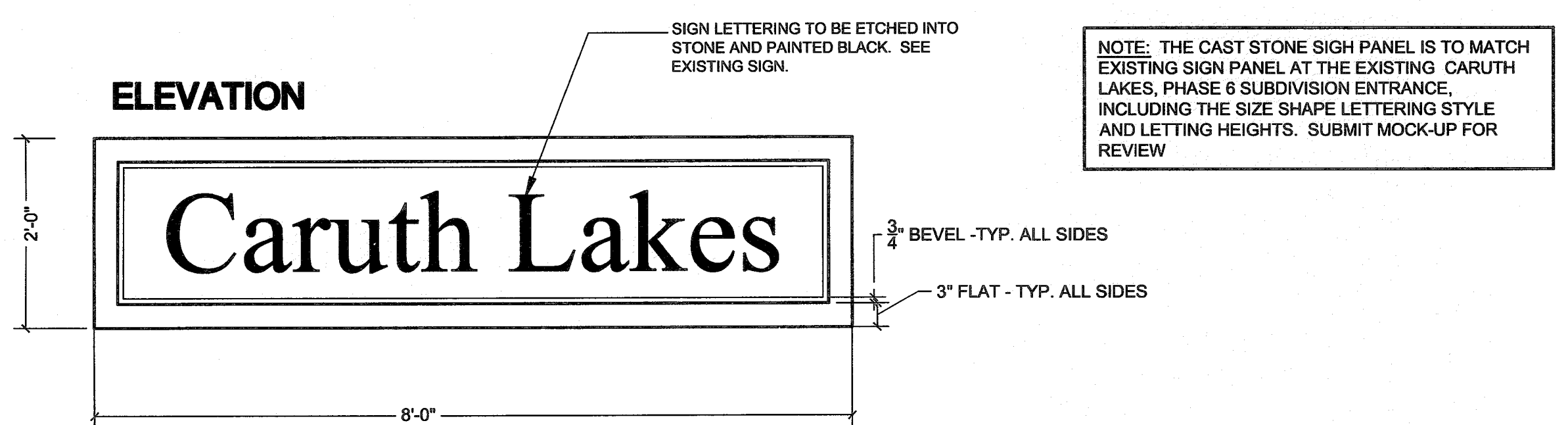
SCALE: 3/4" = 1'-0"

NOTE: CONTRACTOR RESPONSIBLE FOR STRUCTURAL ENGINEERING DESIGN OF FOOTING AND FOUNDATIONS FOR COLUMNS AND WALLS.



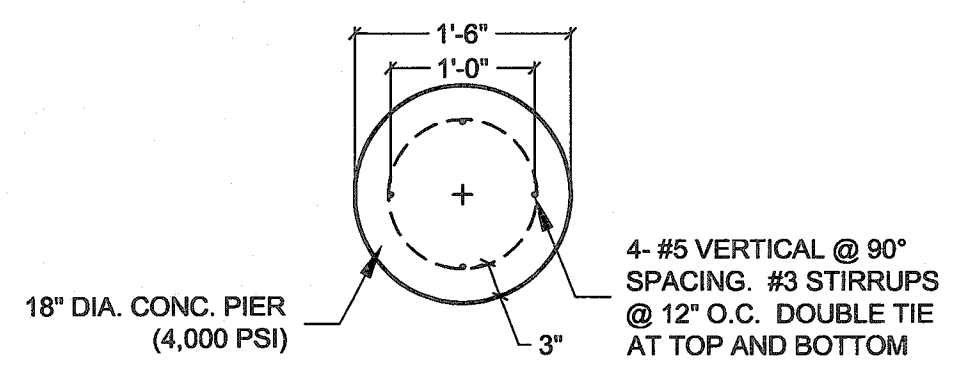
3 ENTRY WALL WITH PLAN PLAN

SCALE: 1/2" = 1'-0"



4 CAST STONE SIGN DETAIL FOR WALL

SCALE: 3/4" = 1'-0"



5 TYPICAL PIER SECTION

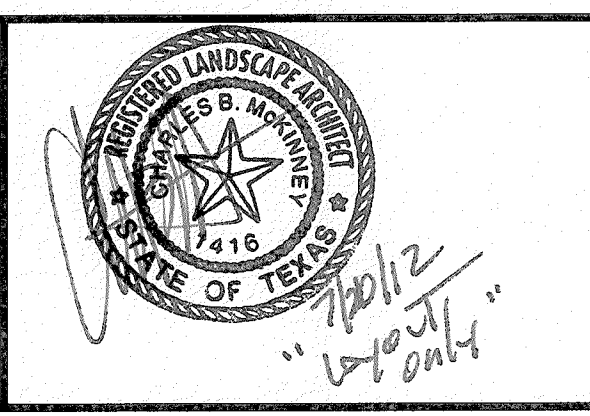
SCALE: 3/4" = 1'-0"

AS-BUILT DRAWINGS:
TO THE BEST OF JBI PARTNERS, INC.'S KNOWLEDGE, JBI HEREBY STATES THAT THIS PLAN IS AS-BUILT. THE INFORMATION PROVIDED IS BASED ON CONSTRUCTION STAKING AND PAD VERIFICATION AT THE SITE AND INFORMATION PROVIDED BY THE CONTRACTOR.

Daniel Dewey 4/11/2014
Name Date

NO.	REVISIONS DURING CONSTRUCTION	BY	DATE	NO.	REVISIONS DURING PLAN REVIEW	BY	DATE
				1	PER CITY COMMENTS & REVISED TRAIL RAMP	CBM	5/7/12

DESIGNED BY:
JBI
DRAWN BY:
JBI
CHECKED BY:
CBM



16301 Quorum Drive
Suite 200 B
Addicks, Texas 75240
Main 972.248.7878
Fax 972.248.1414
www.jbipartners.com

ENTRANCE WALL ELEVATIONS & DETAILS
PHASE 7B
CARUTH LAKES
CITY OF ROCKWALL, TEXAS

PROJECT NO.
HOE132
SHEET NO.
L6