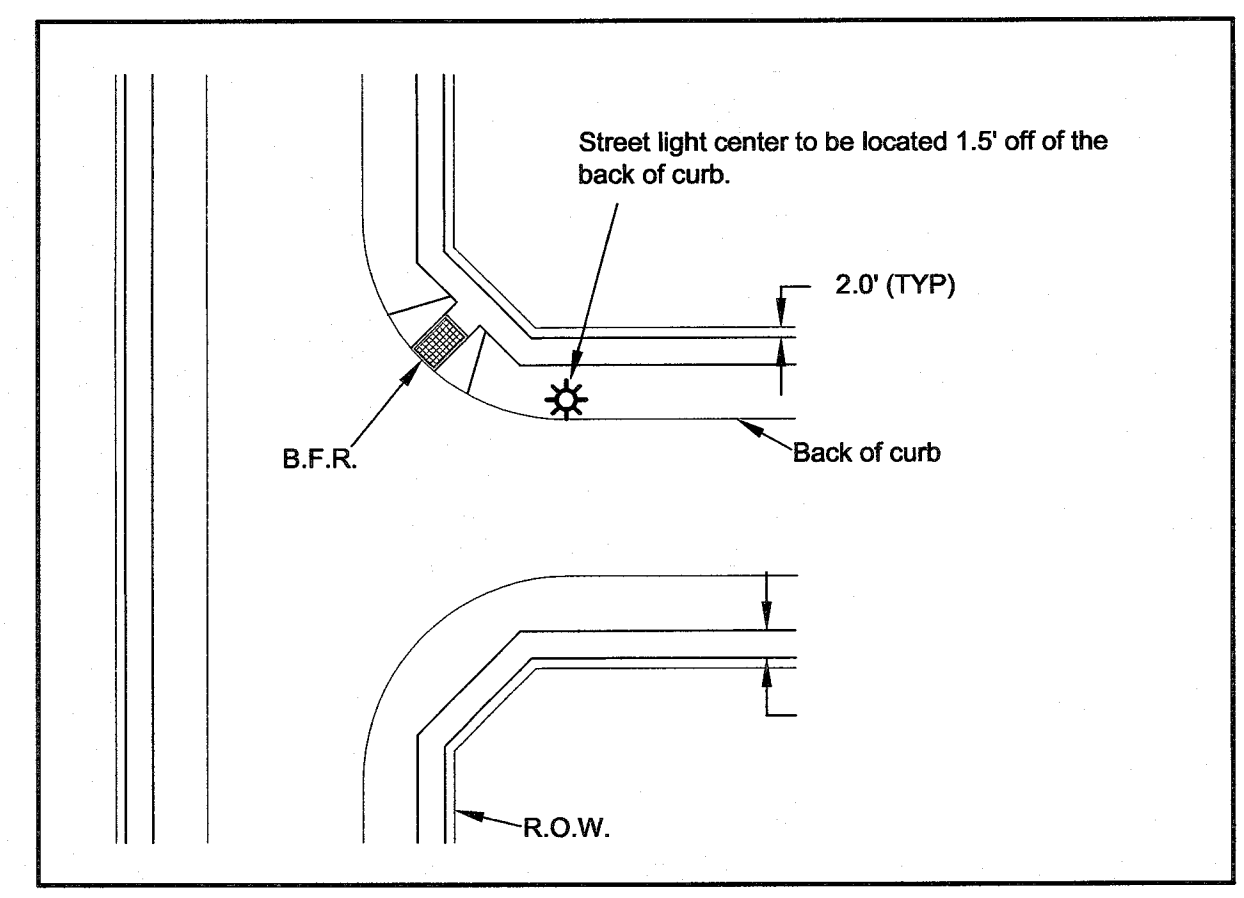
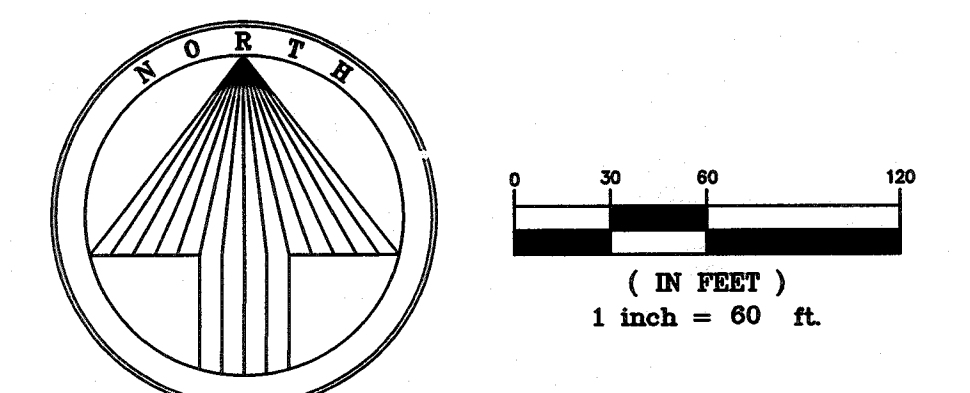
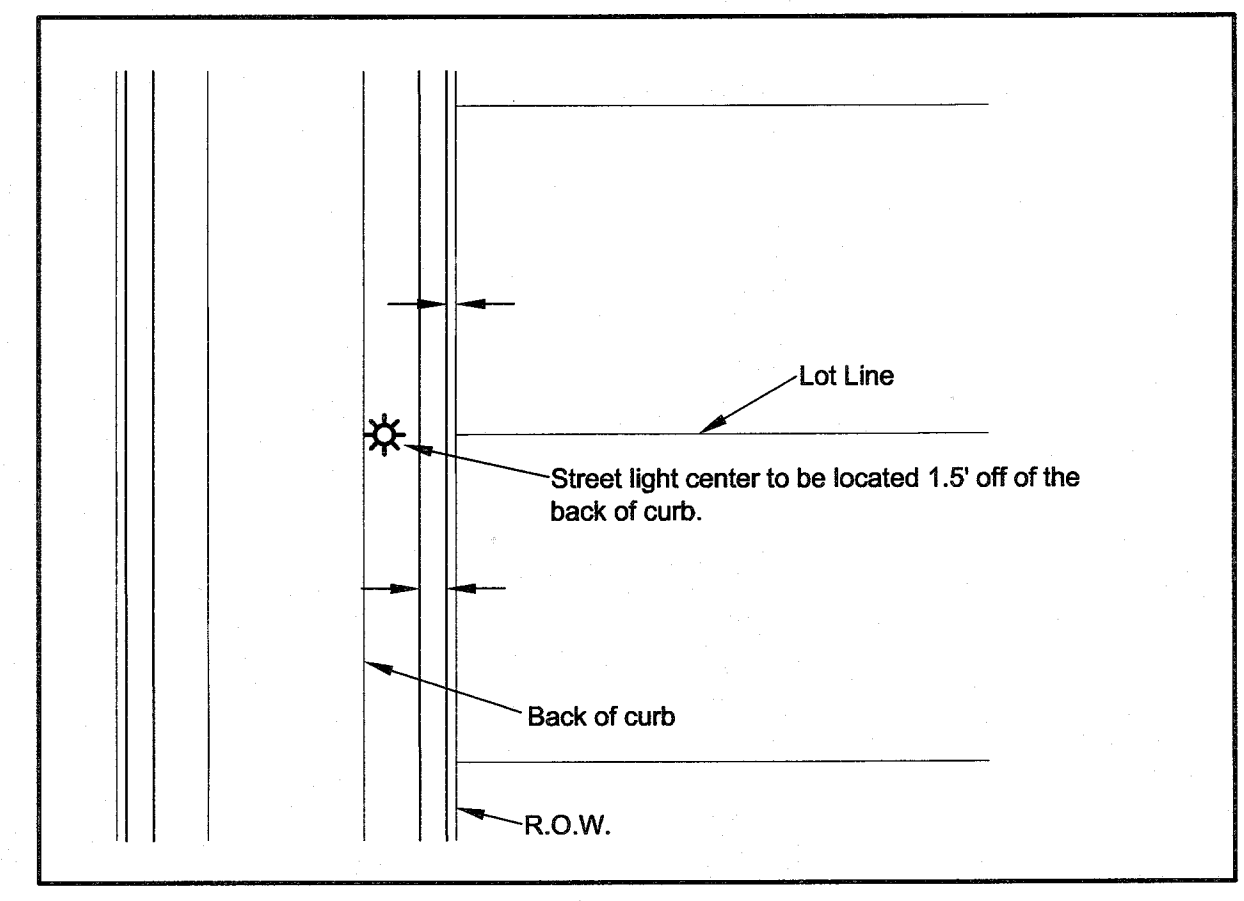


TYPICAL PLACEMENT DETAIL AT INTERSECTION WITH LIGHT & SIGNAGE ON OPPOSITE CORNERS
N.T.S.

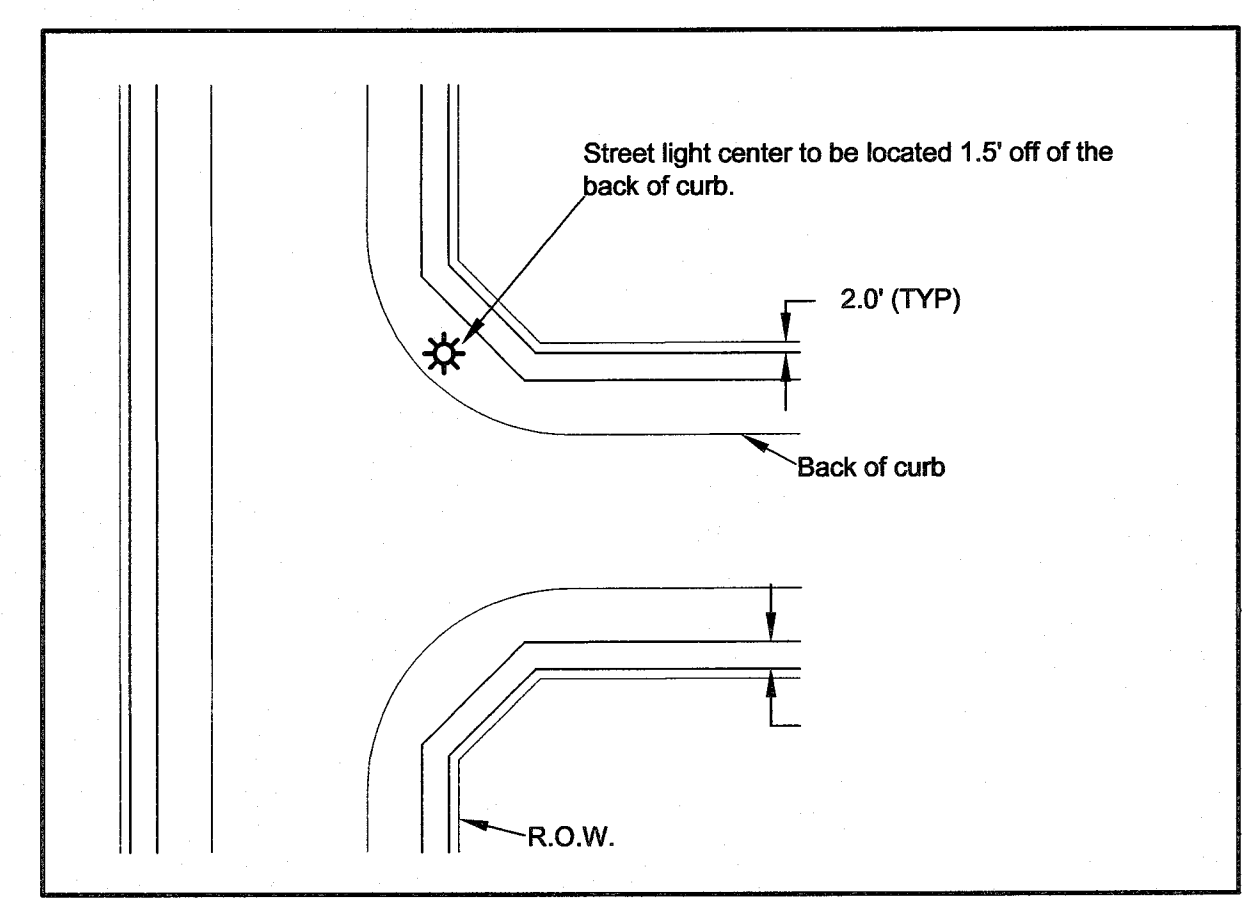
- LEGEND**
- ☼ STAND ALONE STREET LIGHT
 - ⊕ SIGN AND POST LOCATION (TRAFFIC SIGN AND/OR STREET NAME SIGN)
 - ⊕ EX. TRAFFIC SIGN AND/OR STREET NAME SIGN
 - ☼ EXISTING STREET LIGHT-RESIDENTIAL



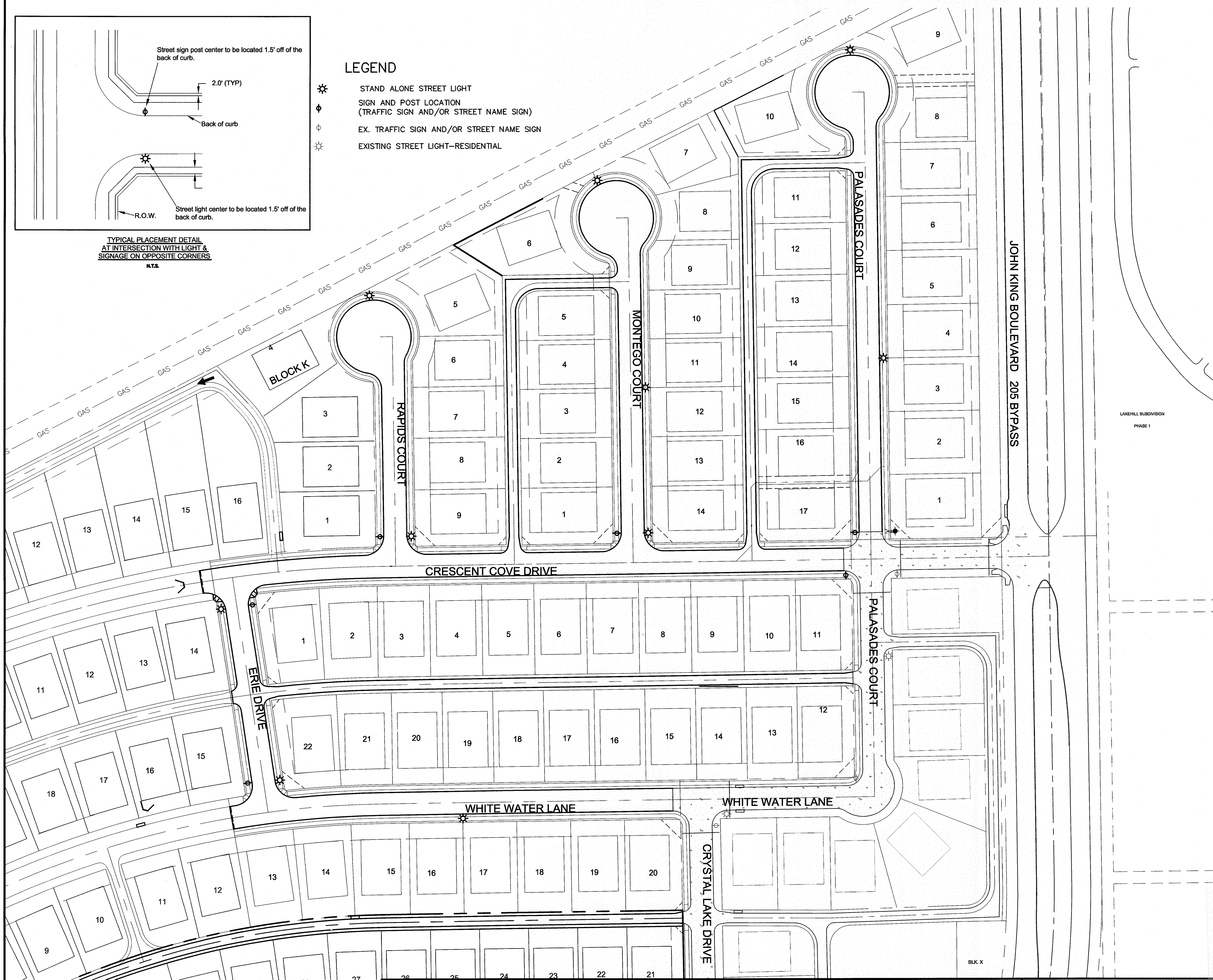
TYPICAL PLACEMENT DETAIL AT CORNER WITH B.F.R.
N.T.S.



TYPICAL PLACEMENT DETAIL AT NON-INTERSECTION
N.T.S.



TYPICAL PLACEMENT DETAIL AT CORNER WITHOUT B.F.R.
N.T.S.



LAKEHILL SUBDIVISION
PHASE 1

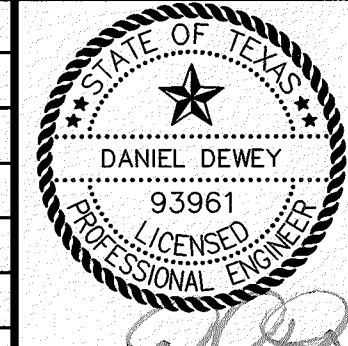
AS-BUILT DRAWINGS: 02/01/2013
TO THE BEST OF JBI PARTNERS, INC. KNOWLEDGE HEREBY STATES THIS PLAN IS AS-BUILT. THE INFORMATION PROVIDED IS BASED ON CONSTRUCTION STAKING AND PAD VERIFICATION AT THE SITE AND INFORMATION PROVIDED BY THE CONTRACTOR.

Daniel Dewey 2-1-13
Name Date

CONSTRUCTION SET 07-27-12
ALL RESPONSIBILITY FOR ADEQUACY OF DESIGN REMAINS WITH THE DESIGN ENGINEER. THE CITY OF ROCKWALL, IN REVIEWING AND RELEASING PLANS FOR CONSTRUCTION, ASSUMES NO RESPONSIBILITY FOR ADEQUACY OR ACCURACY OF DESIGN.

- BENCHMARKS**
- X-chiseled in CL of Alley East of Morningstar Drive within the third lot north of Midnight Pass. Elevation = 513.26
 - PK Nail in CL of Caruth Lane & Alley intersection 150 feet +/- east of Morningstar Drive. Elevation = 491.68

NO.	REVISIONS DURING CONSTRUCTION	BY	DATE	NO.	SUBMITTALS	DATE



The seal appearing on this document was authorized by DANIEL DEWEY, P.E. 93961. Alteration of a sealed document without proper notification to the responsible engineer is an offense under the Texas Engineering Practice Act.



16301 Quorum Drive
Suite 200 B
Addison, Texas 75001
Main 972.248.7676
Fax 972.248.1414
www.jbipartners.com

Texas Registered Engineering Firm F-438

SIGNAGE AND LIGHTING PLAN		PROJECT NO.
Phase 7B		HOE132
Caruth Lakes Phase 7B		SHEET NO.
City of Rockwall, Texas		31

Plotted by: ddewey Plot Date: 7/25/2012 8:01 AM
Drawing: H:\Projects\HOE132\HOE132-SL.dwg Saved By: ddewey Save Time: 5/25/2012 10:30 AM