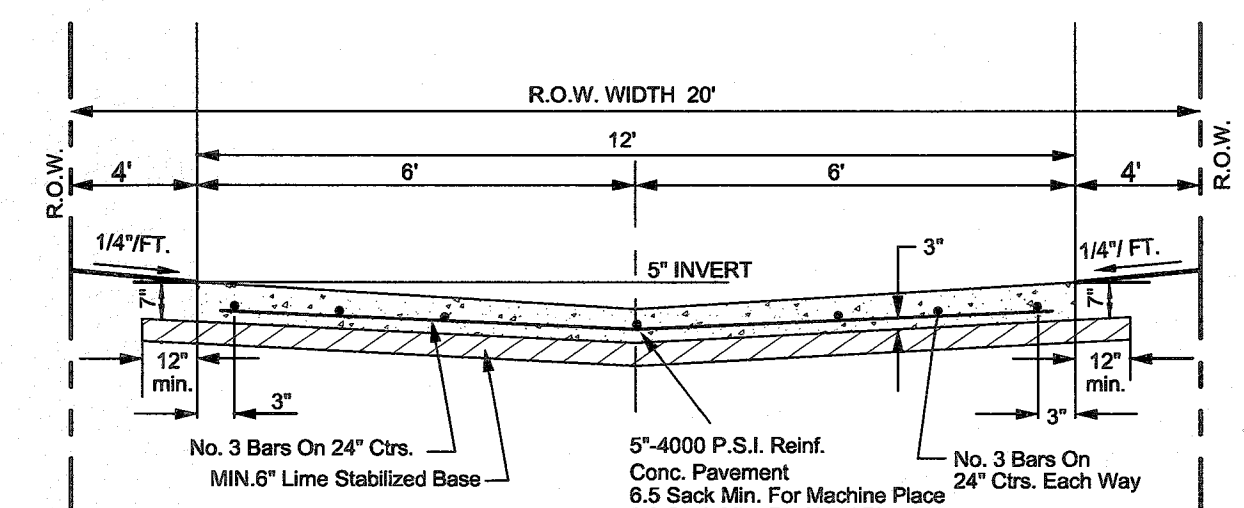
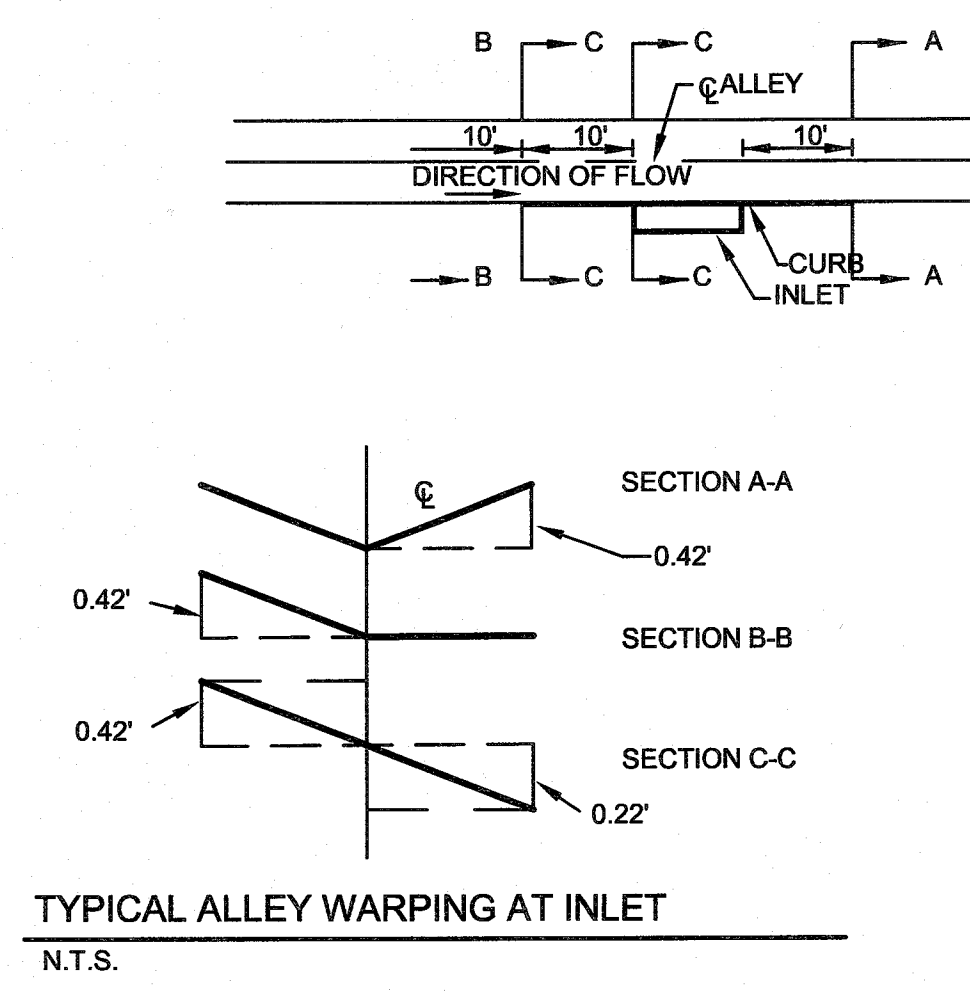


TYPICAL PAVEMENT SECTION (29' B-B)  
N.T.S.



STANDARD 12' ALLEY SECTION  
N.T.S.

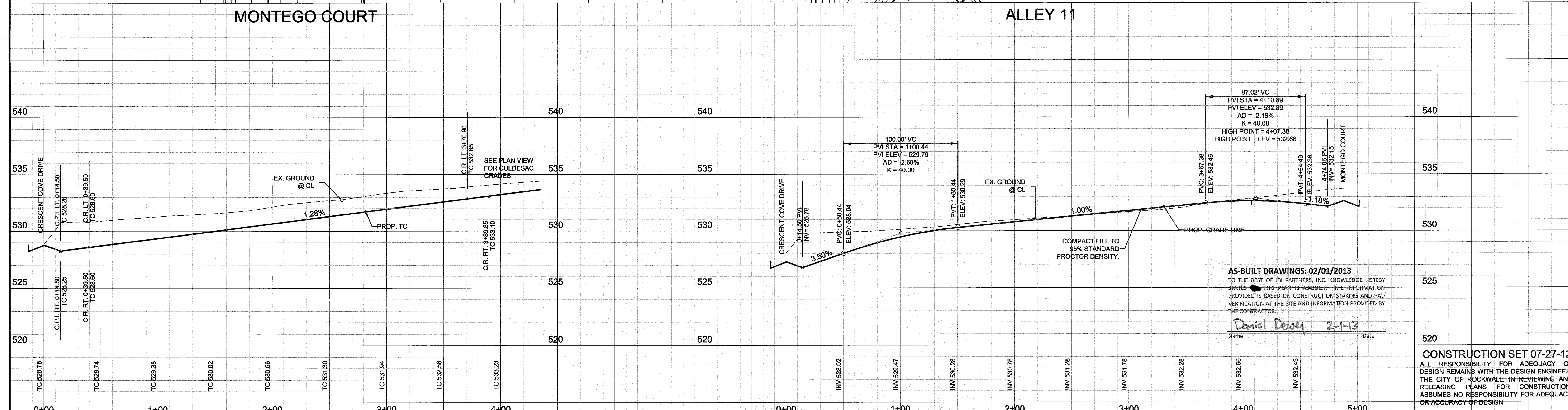


TYPICAL ALLEY WARPING AT INLET  
N.T.S.

- NOTE:
- PAVEMENT FOR STREETS SHALL CONSIST OF 6" 3600 P.S.I. REINFORCED CONCRETE AND 6" LIME-STABILIZED SUBGRADE WITH 6" PARABOLIC CROWN. PAVEMENT FOR ALLEYS SHALL CONSIST OF 4000 P.S.I. REINFORCED CONCRETE AND 6" LIME-STABILIZED SUBGRADE WITH 5" INVERT. TYPICAL ALLEY SECTION WILL BE 7'-5"-7". CONTRACTOR TO RUN LIME SERIES BEFORE CONSTRUCTION.

MONTEGO COURT

ALLEY 11



AS-BUILT DRAWINGS: 02/01/2013  
 TO THE BEST OF JBI PARTNERS, INC. KNOWLEDGE HEREBY STATES THIS PLAN IS AS-BUILT. THE INFORMATION PROVIDED IS BASED ON CONSTRUCTION STAKING AND PAD VERIFICATION AT THE SITE AND INFORMATION PROVIDED BY THE CONTRACTOR.  
 Daniel Dewey 2-1-13  
 Name Date

CONSTRUCTION SET 07-27-12  
 ALL RESPONSIBILITY FOR ADEQUACY OF DESIGN REMAINS WITH THE DESIGN ENGINEER. THE CITY OF ROCKWALL, IN REVIEWING AND RELEASING PLANS FOR CONSTRUCTION, ASSUMES NO RESPONSIBILITY FOR ADEQUACY OR ACCURACY OF DESIGN.

- BENCHMARKS**
- X-chiseled in CL of Alley East of Morningstar Drive within the third lot north of Midnight Pass. Elevation = 513.26
  - PK Nail in CL of Caruth Lane & Alley intersection 150 feet +/- east of Morningstar Drive. Elevation = 491.68

NO.	REVISIONS DURING CONSTRUCTION	BY	DATE	NO.	SUBMITTALS	DATE

The seal appearing on this document was authorized by DANIEL DEWEY, P.E. 93961. Alteration of a sealed document without proper notification to the responsible engineer is an offense under the Texas Engineering Practice Act.

DANIEL DEWEY  
 93961  
 LICENSED PROFESSIONAL ENGINEER  
 7-27-12

**JBI PARTNERS**  
 Texas Registered Engineering Firm F-438  
 18301 Quorum Drive  
 Suite 200 B  
 Addison, Texas 75001  
 Main 972.248.7676  
 Fax 972.248.1414  
 www.jbipartners.com

**PAVING PLAN**  
**MONTEGO COURT & ALLEY 11**  
**Caruth Lakes Phase 7B**  
**City of Rockwall, Texas**

PROJECT NO. HOE132  
 SHEET NO. 7

Drawing: H:\Projects\HOE132\Bldg\HOE132-PV\PH7B.dwg Saved By: ddewey Pkg Date: 7/25/2012 9:17 AM  
 Plotted By: ddewey Pkg Date: 7/25/2012 9:25 AM