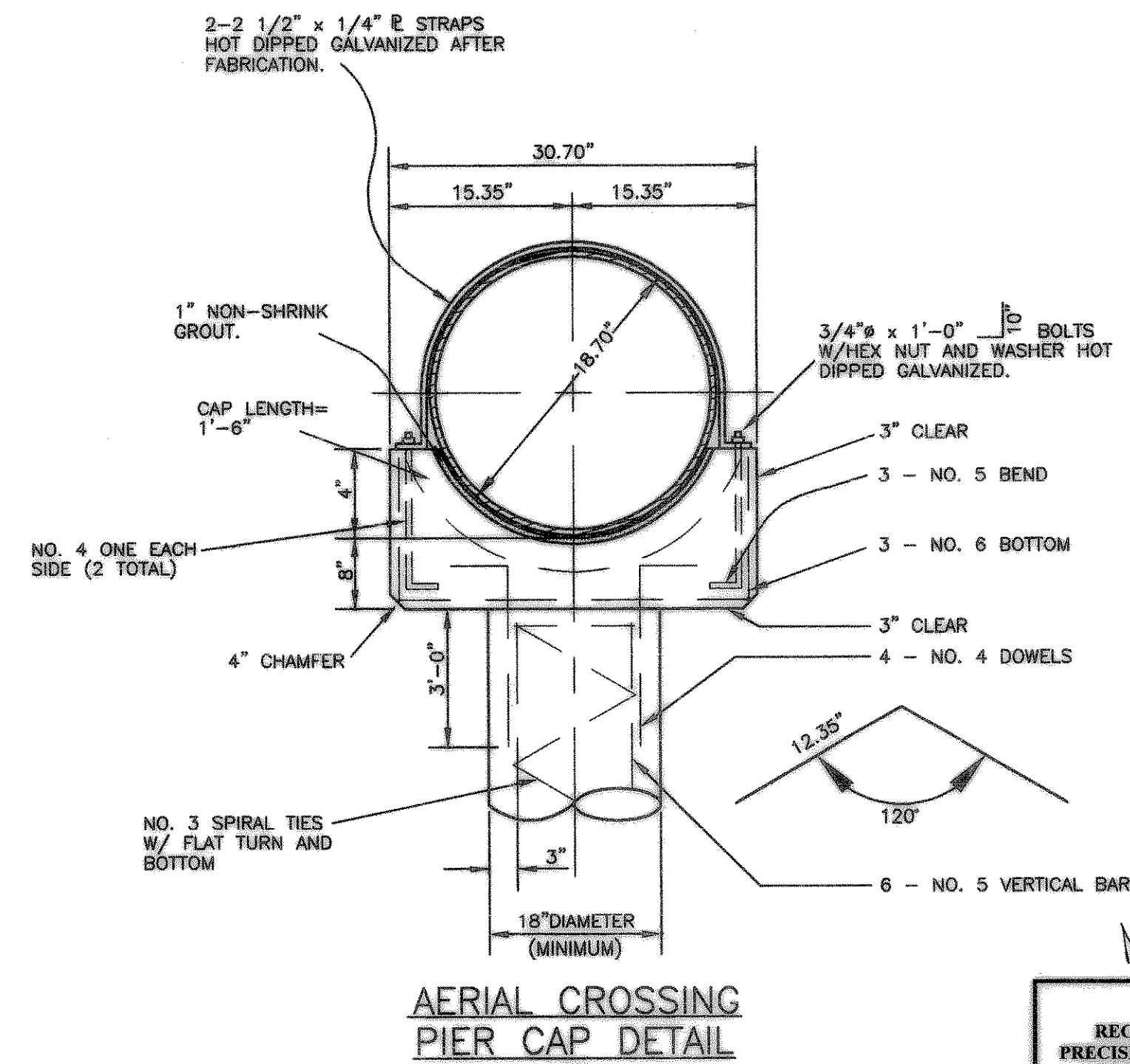
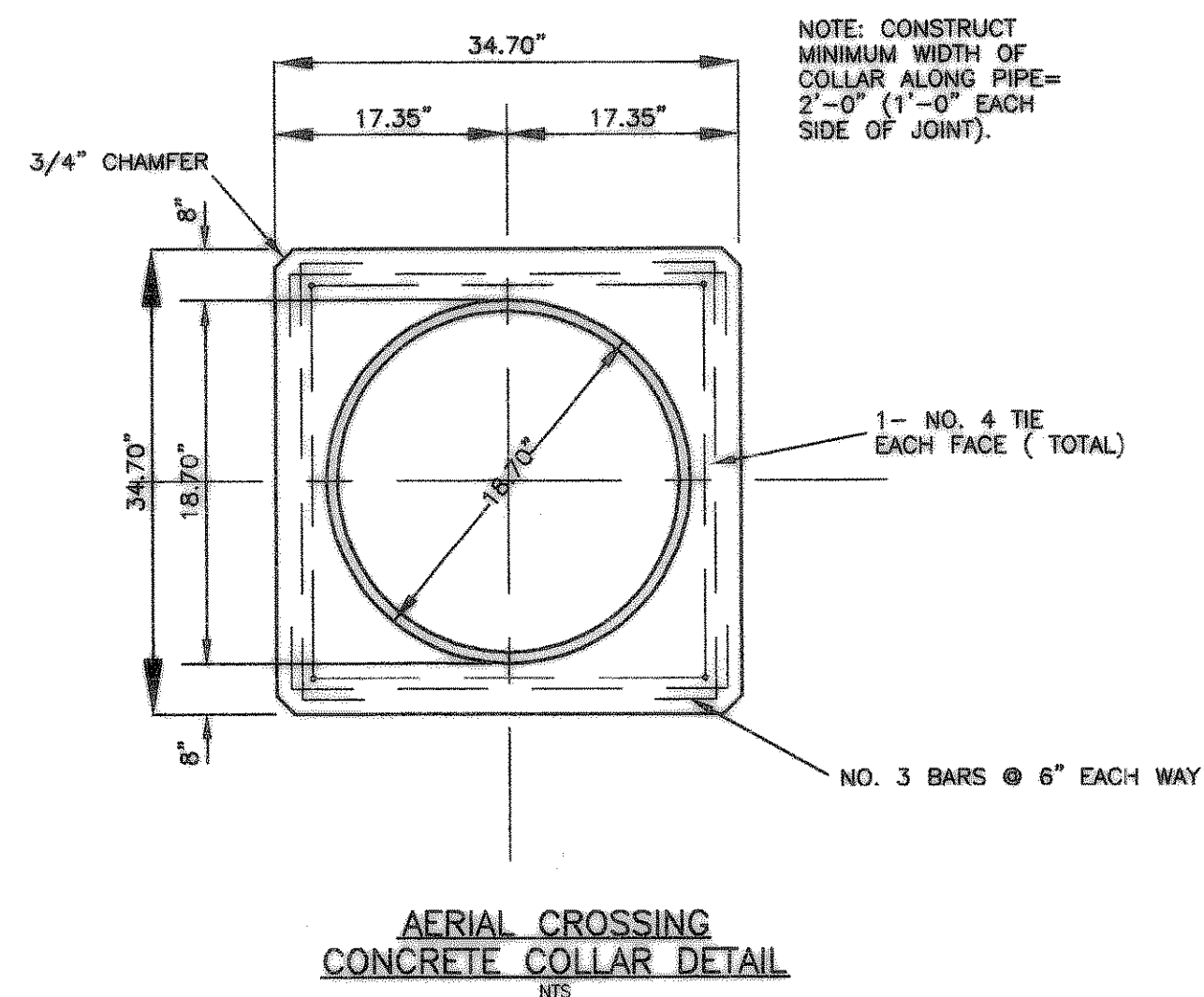
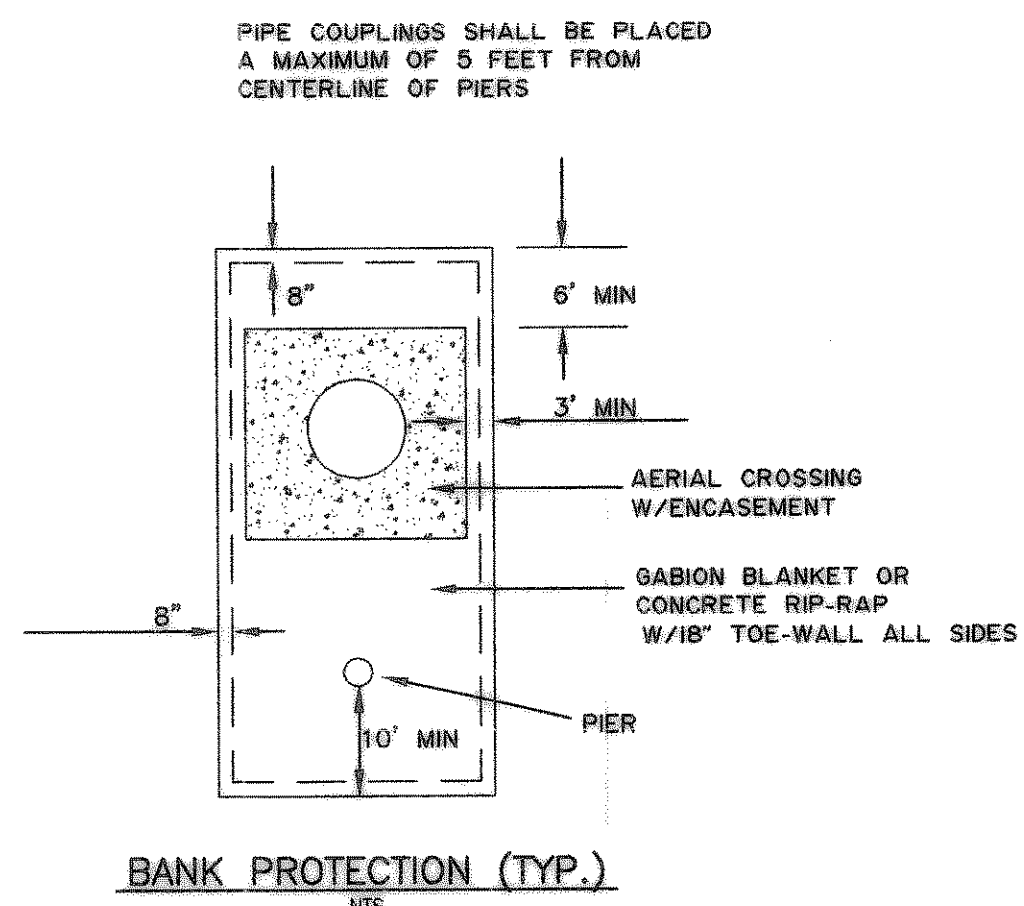


- NOTES:**
- ALL STEEL PIPE SHALL RECEIVE AN INTERIOR SHOP APPLIED LIQUID EPOXY COATING SYSTEM IN CONFORMANCE WITH AWWA C-210.
  - EXTERIOR COATING SHALL CONSIST OF ONE (1) COAT OF VALSPAR 78 SERIES, KOPPERS 200 HB 5 MIL DRY FILM THICKNESS EACH COAT AND TWO (2) COATS OF VALSPAR 78 SERIES, KOPPERS 200 HB 6 MIL DRY FILM THICKNESS EACH COAT. FINAL COLOR TO BE SELECTED BY THE CITY OF DESOTO.

STEEL PIPE SHALL BE OF THE TYPE SHOWN IN THE SPECIFICATIONS. STEEL PIPE SHALL HAVE THE THICKNESS REQUIRED FOR SIZE AND SPAN WITH MINIMUM WALL THICKNESS OF 3/8 INCHES. THE PIPE SHALL BE LINE PIPE MANUFACTURED IN ACCORDANCE WITH AWWA C200 MILL TYPE STEEL PIPE, GRADE B AND ASTM A139, GRADE B.

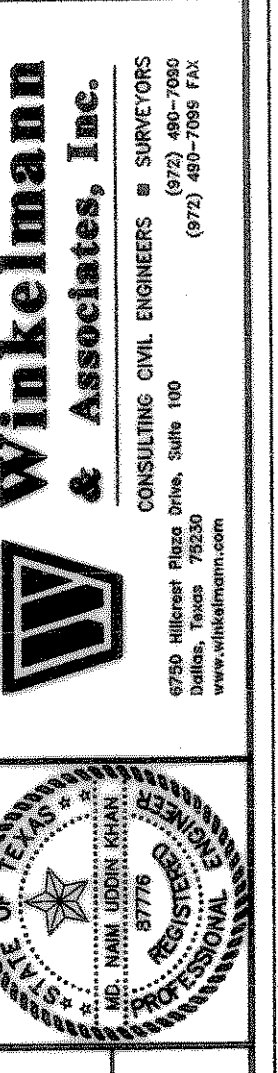
PIERS SHALL EXTEND 6 FEET MINIMUM INTO SHALE OR ROCK

18" DIAMETER PIERS MINIMUM (SEE DETAILS)



RECORD DRAWING  
 RECORD INFORMATION PROVIDED BY  
 PRECISION MANAGEMENT, FORTNEY, TEXAS &  
 RODMAN COMPANIES, FRISCO, TEXAS

NO.	DATE	REVISION	APPROV.



THESE CONSTRUCTION PLANS WERE PREPARED UNDER THE RESPONSIBLE SUPERVISION OF THE REGISTERED PROFESSIONAL ENGINEER NO. 87776  
**M. Naim Uddin Khan** 4/17/04

M.B. JONES SURVEY, ABSTRACT NO. 122  
 CITY OF ROCKWALL  
 ROCKWALL COUNTY, TEXAS  
 LUMBERMEN'S INVESTMENT CORPORATION  
 5685 BELTLINE ROAD #223  
 DALLAS, TEXAS 75240

**SANITARY SEWER LINE 'A' (PHASE 6 & 6A)**  
**AERIAL CROSSING DETAILS**

Scale: 1"=40'  
 Date: 12/27/03  
 Designed By: MS  
 Drawn By: MS  
 Checked By: NK  
 File: 146546ANSSET.DWG  
 Project No.: 14654.0120

SHEET  
**37**  
 OF  
**57**

