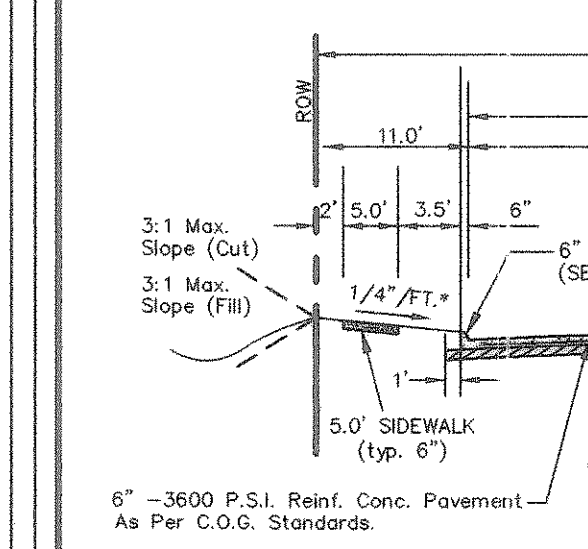
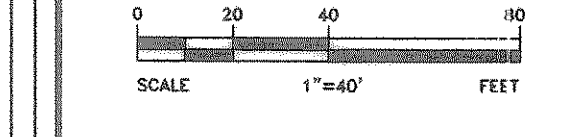
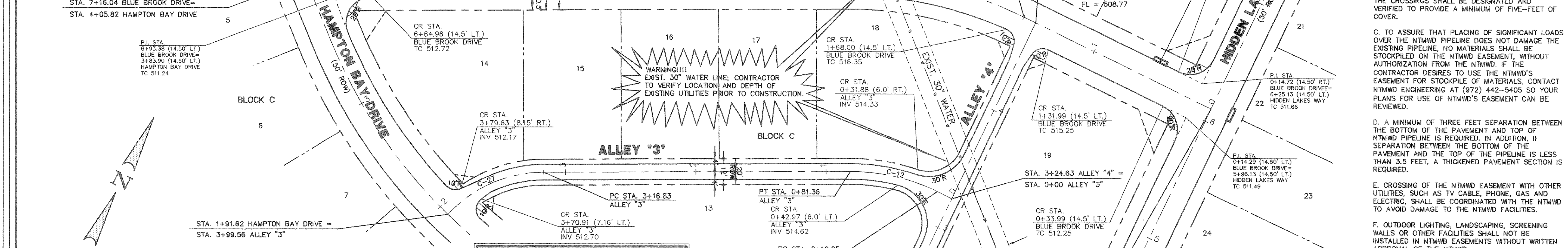


LEGEND

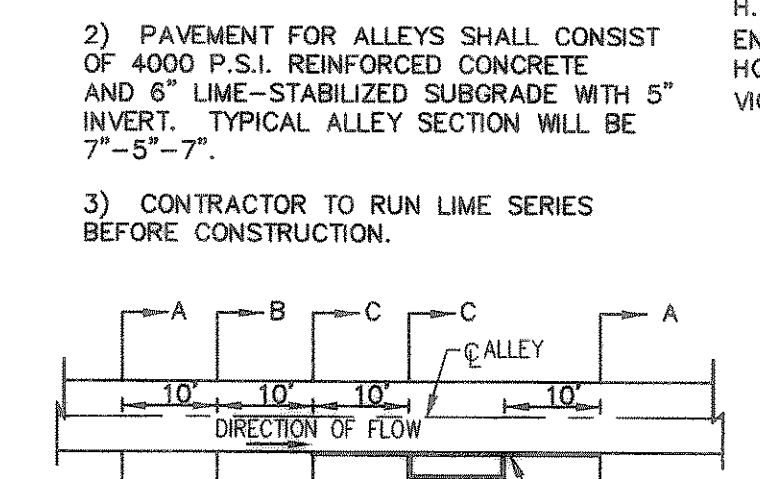
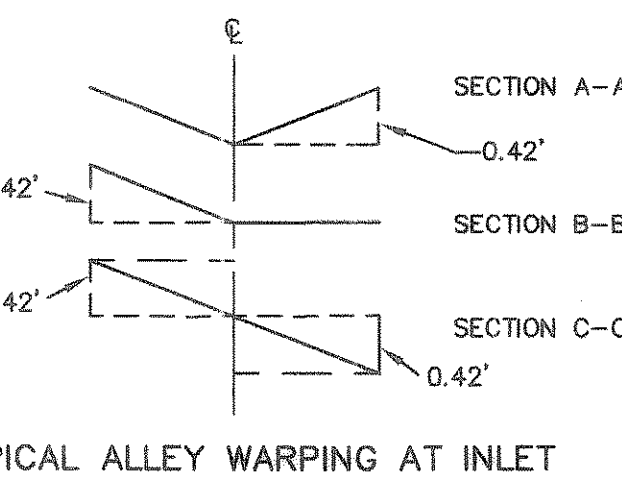
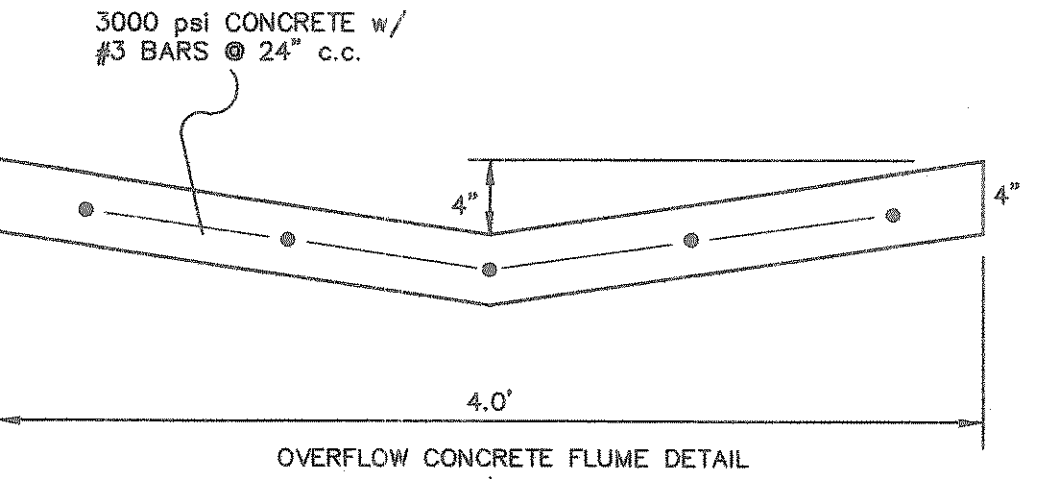
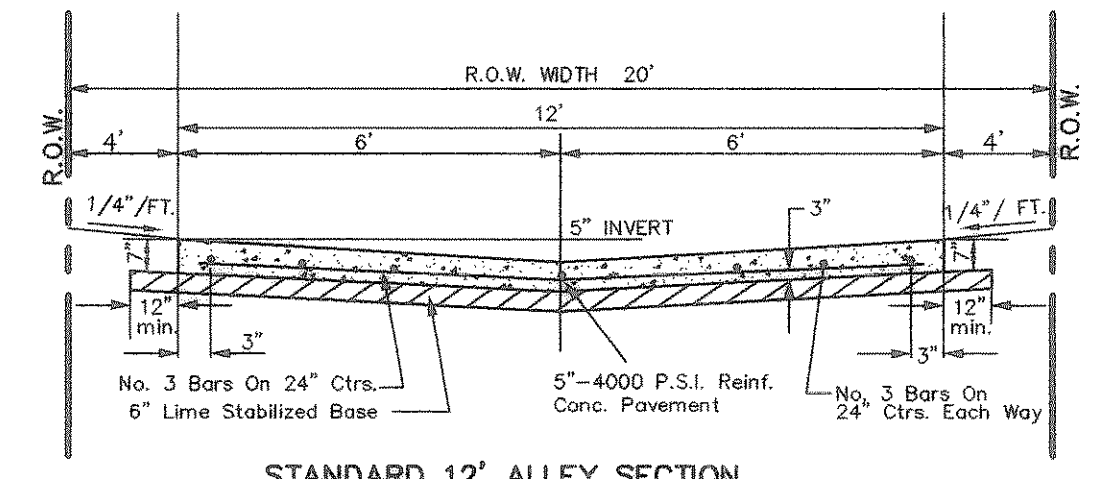
TC	TOP OF CURB
TP	TOP OF PAVEMENT
CR	CURB RETURN
FL	FLOW LINE
2	STREET STATION
1	HANDICAP RAMP @ STREET & STREET INTERSECTION
1	HANDICAP RAMP @ STREET & ALLEY INTERSECTION
→	FLOW ARROWS

CURVE REPORT

CURVE	RADIUS	DELTA	TANGENT	LENGTH	CHORD	BEARING
C-11	300.00'	26°23'48"	70.35'	136.21'	136.99'	S75°57'45"W
C-12	150.00'	26°23'48"	35.18'	68.10'	68.50'	S75°57'45"W
C-27	100.00'	47°24'05"	43.90'	82.75'	80.39'	N39°03'49"E



TYPICAL PAVEMENT SECTION (29' B-B)
N.T.S.



NTMWD NOTE-1
FRANCHISED UTILITIES ARE NOT PERMITTED IN NTMWD EASEMENT EXCEPT FOR CROSSINGS.

WARNING!!!
EXIST. 30" WATER LINE. CONTRACTOR TO VERIFY LOCATION AND DEPTH OF EXISTING UTILITIES PRIOR TO CONSTRUCTION.

- NTMWD NOTE-2**
- NORTH TEXAS MUNICIPAL WATER DISTRICT (NTMWD) 30-INCH WATER TRANSMISSION PIPELINE IS LOCATED WITHIN LIMITS OF CONSTRUCTION.
 - OPERATION OF HEAVY EARTHMOVING EQUIPMENT, COMPACTION EQUIPMENT OR HEAVY CONSTRUCTION EQUIPMENT, SUCH AS CONCRETE TRUCKS, SHALL BE RESTRICTED TO SPECIFIC CROSSING POINTS ACROSS NTMWD EASEMENTS, AS APPROVED BY THE NTMWD. THE CROSSINGS SHALL BE DESIGNATED AND VERIFIED TO PROVIDE A MINIMUM OF FIVE- FEET OF COVER.
 - TO ASSURE THAT PLACING OF SIGNIFICANT LOADS OVER THE NTMWD PIPELINE DOES NOT DAMAGE THE EXISTING PIPELINE, NO MATERIALS SHALL BE STOCKPILED ON THE NTMWD EASEMENT, WITHOUT AUTHORIZATION FROM THE NTMWD. IF THE CONTRACTOR DESIRES TO USE THE NTMWD'S EASEMENT FOR STOCKPILE OF MATERIALS, CONTACT NTMWD ENGINEERING AT (972) 442-5405 SO YOUR PLANS FOR USE OF NTMWD'S EASEMENT CAN BE REVIEWED.
 - A MINIMUM OF THREE FEET SEPARATION BETWEEN THE BOTTOM OF THE PAVEMENT AND TOP OF NTMWD PIPELINE IS REQUIRED. IN ADDITION, IF SEPARATION BETWEEN THE BOTTOM OF THE PAVEMENT AND THE TOP OF THE PIPELINE IS LESS THAN 3.5 FEET, A THICKENED PAVEMENT SECTION IS REQUIRED.
 - CROSSING OF THE NTMWD EASEMENT WITH OTHER UTILITIES, SUCH AS TV CABLE, PHONE, GAS AND ELECTRIC, SHALL BE COORDINATED WITH THE NTMWD TO AVOID DAMAGE TO THE NTMWD FACILITIES.
 - OUTDOOR LIGHTING, LANDSCAPING, SCREENING WALLS OR OTHER FACILITIES SHALL NOT BE INSTALLED IN NTMWD EASEMENTS WITHOUT WRITTEN APPROVAL OF THE NTMWD.
 - UNLESS OTHERWISE SHOWN OR REQUIRED A MINIMUM OF ONE-FOOT CLEARANCE SHALL BE PROVIDED FOR ALL UTILITIES CROSSING THE NTMWD PIPELINES.
 - "THE CONTRACTOR SHALL CONTACT NTMWD ENGINEERING AT (972) 442-5405 AT LEAST 48 HOURS PRIOR TO PERFORMING ANY WORK IN THE VICINITY OF THE NTMWD FACILITIES."

- NOTE:**
- PAVEMENT FOR STREETS SHALL CONSIST OF 6" 3600 P.S.I. REINFORCED CONCRETE AND 6" LIME-STABILIZED SUBGRADE WITH 6" PARABOLIC CROWN.
 - PAVEMENT FOR ALLEYS SHALL CONSIST OF 4000 P.S.I. REINFORCED CONCRETE AND 6" LIME-STABILIZED SUBGRADE WITH 5" INVERT. TYPICAL ALLEY SECTION WILL BE 7'-5"-7".
 - CONTRACTOR TO RUN LIME SERIES BEFORE CONSTRUCTION.

BENCHMARK:
"X" CHISELED IN C OF ALLEY EAST OF MORNINGSTAR DRIVE WITHIN 3RD LOT NORTH OF MIDNIGHT PASS. ELEV. 513.26

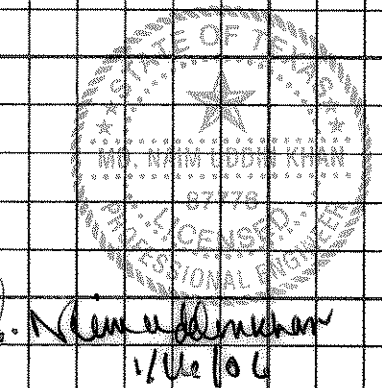
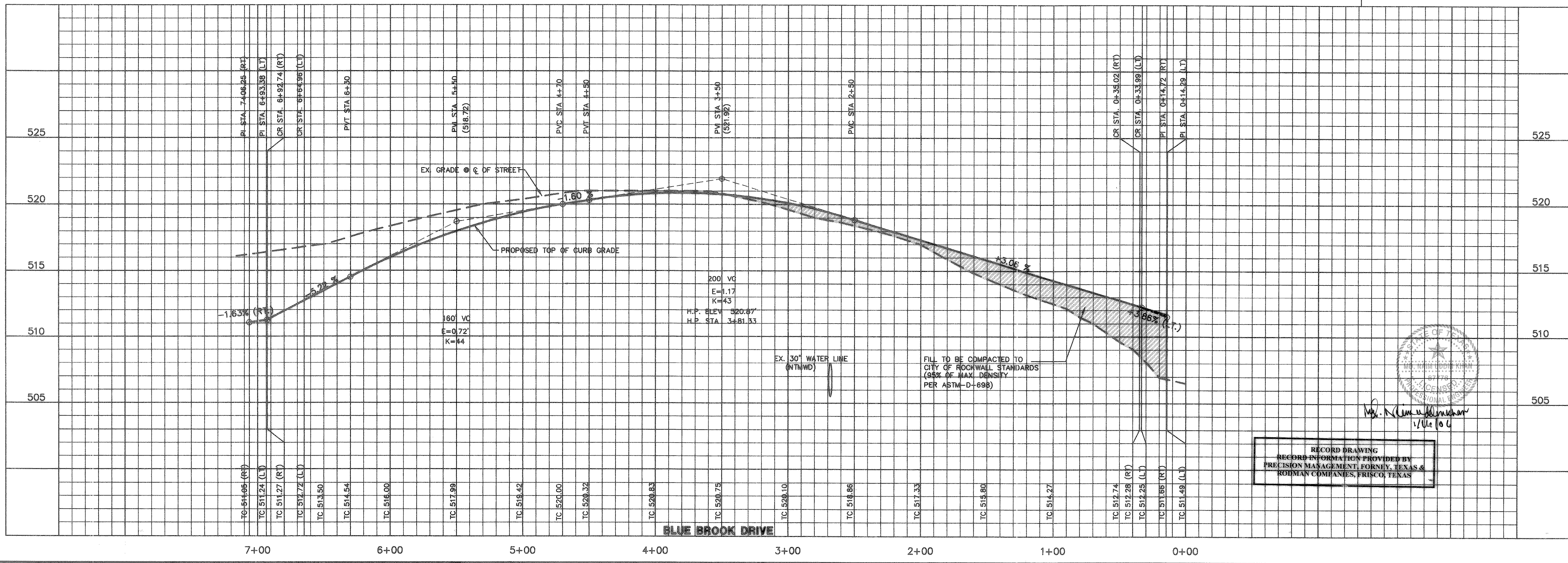
BENCHMARK:
PK NAIL IN C OF CARUTH LANE & ALLEY INTERSECTION 150± EAST OF MORNINGSTAR DRIVE. ELEV. 491.68

THESE CONSTRUCTION PLANS WERE PREPARED UNDER THE RESPONSIBLE SUPERVISION OF M.D. NAIM UDDIN KHAN, REGISTERED PROFESSIONAL ENGINEER NO. 87776

THE SEAL APPEARING ON THIS DOCUMENT WAS AUTHORIZED BY M.D. NAIM UDDIN KHAN, # 87776

M.B. JONES SURVEY ABSTRACT NO. 122
CITY OF ROCKWALL, TEXAS
LUMBERMEN'S INVESTMENT CORPORATION
5495 BELTLINE ROAD #225
DALLAS, TEXAS 75240

PAVING PLAN & PROFILE (PHASE 6A)
BLUE BROOK DRIVE STA 0+00 TO 7+16.04
PAVING PLAN ALLEY '3' STA 0+00 TO 3+00.00



RECORD DRAWING
RECORD INFORMATION PROVIDED BY
PRECISION MANAGEMENT, FORTNEY, TEXAS &
ROUHAN COMPANIES, FRISCO, TEXAS

PHASE 6A

Scale: 1" = 40'
Date: 3/24/04
Designed By: RB
Drawn By: MS
Checked By: NK
File: I:\46546A\p04.dwg/rev:
Project No.: 44654.01

SHEET
7
OF
57