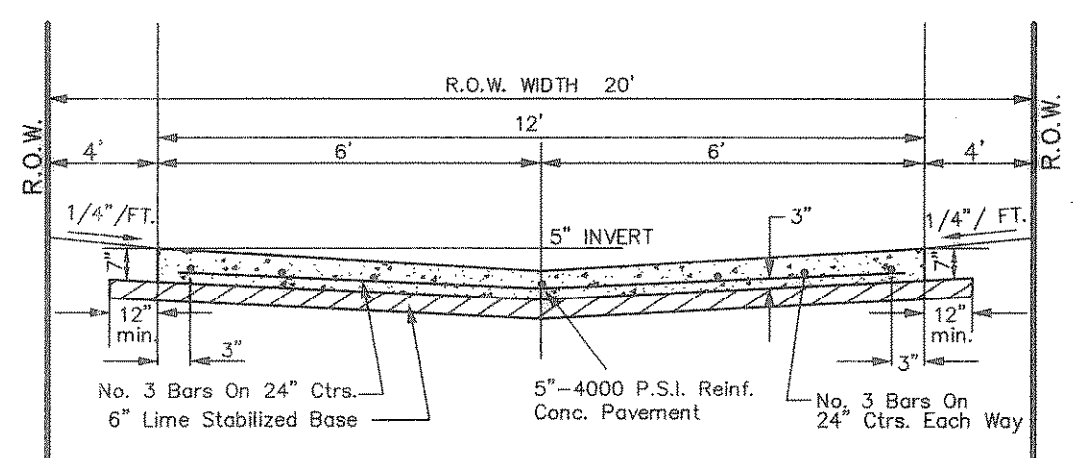


TYPICAL PAVEMENT SECTION (29' B-B)  
N.T.S.

- LEGEND**
- TC TOP OF CURB
  - TP TOP OF PAVEMENT
  - CR CURVE RETURN
  - FL FLOW LINE
  - 2 STREET STATION
  - Handicap Ramp @ Street & Street Intersection
  - Handicap Ramp @ Street & Alley Intersection

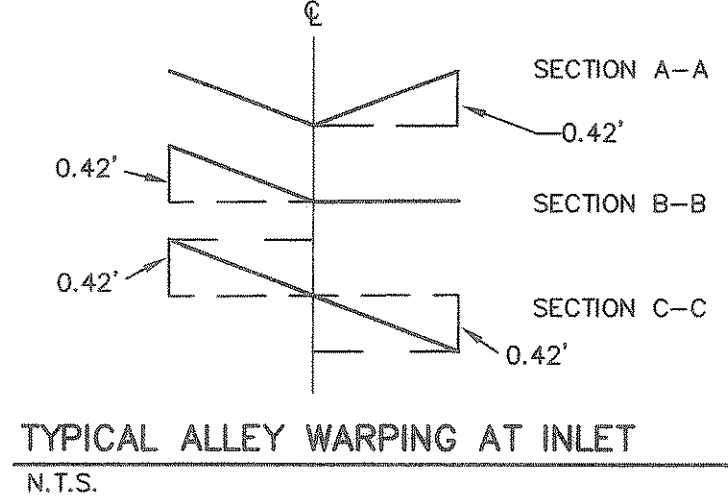


STANDARD 12' ALLEY SECTION  
N.T.S.

- NOTE:**
- PAVEMENT FOR STREETS SHALL CONSIST OF 6" 3600 P.S.I. REINFORCED CONCRETE AND 6" LIME-STABILIZED SUBGRADE WITH 6" PARABOLIC CROWN.
  - PAVEMENT FOR ALLEYS SHALL CONSIST OF 4000 P.S.I. REINFORCED CONCRETE AND 6" LIME-STABILIZED SUBGRADE WITH 5" INVERT. TYPICAL ALLEY SECTION WILL BE 7'-5" W.
  - CONTRACTOR TO RUN LIME SERIES BEFORE CONSTRUCTION.

**BENCHMARK:**  
"X" CHISELED IN C OF ALLEY EAST OF MORNINGSTAR DRIVE WITHIN 3RD LOT NORTH OF MIDNIGHT PASS. ELEV. 513.26

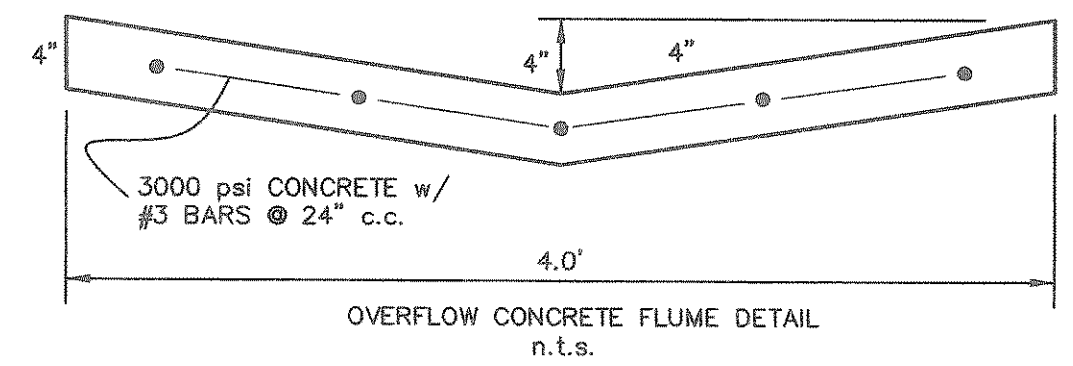
**BENCHMARK:**  
PK NAIL IN C OF CARUTH LANE & ALLEY INTERSECTION 150' ± EAST OF MORNINGSTAR DRIVE. ELEV. 491.68



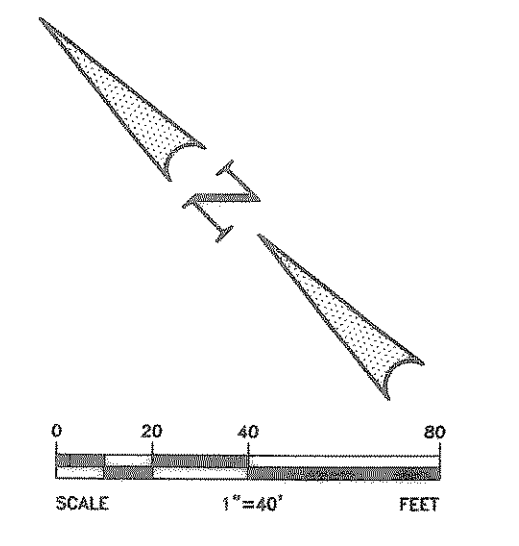
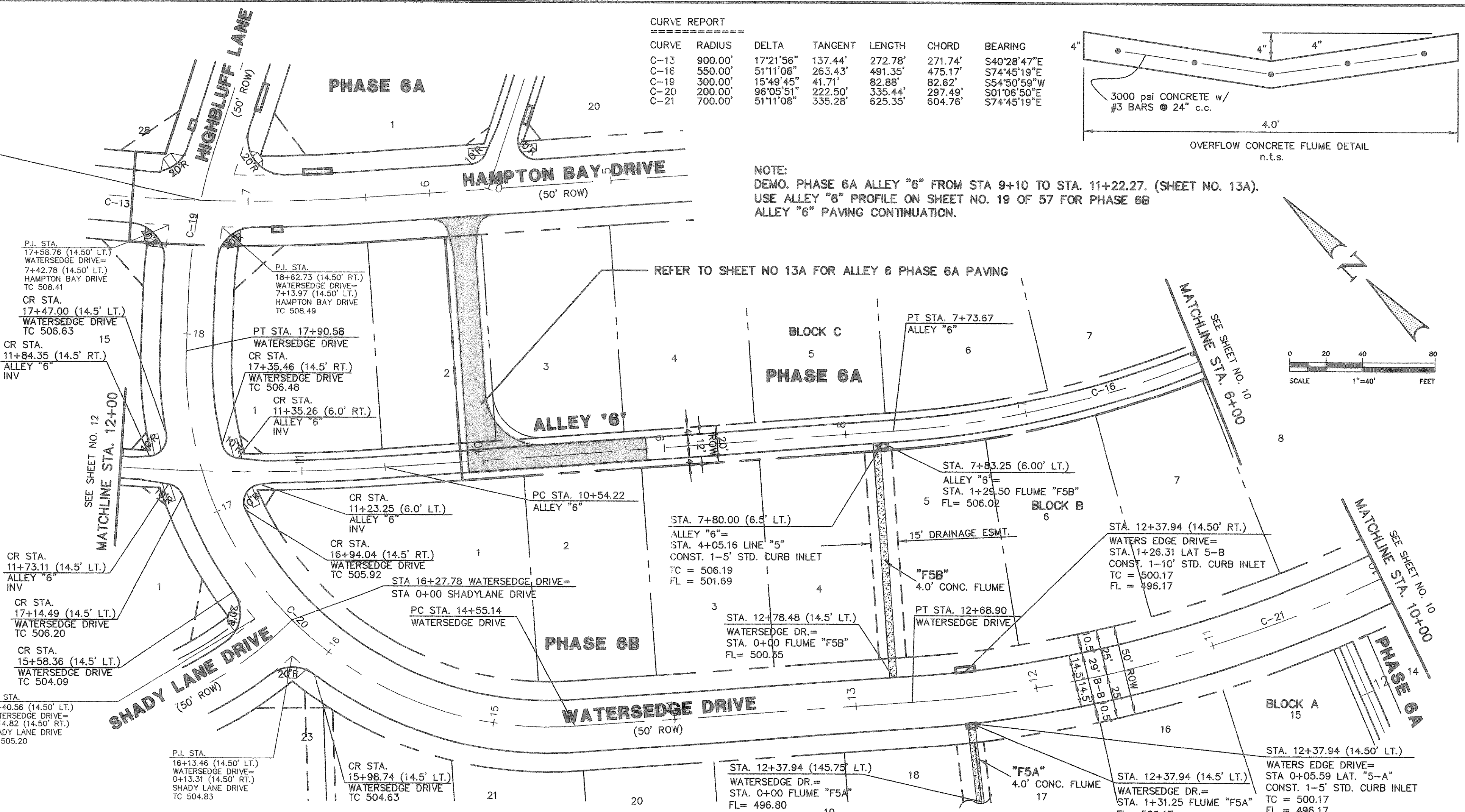
TYPICAL ALLEY WARPING AT INLET  
N.T.S.

**CURVE REPORT**

CURVE	RADIUS	DELTA	TANGENT	LENGTH	CHORD	BEARING
C-13	900.00'	172°1'56"	137.44'	272.78'	271.74'	S40°28'47"E
C-16	550.00'	511°1'08"	263.43'	491.35'	475.17'	S74°45'19"E
C-15	300.00'	15°49'45"	41.71'	82.88'	82.67'	S34°50'59"W
C-20	200.00'	96°05'51"	222.50'	335.44'	297.49'	S01°06'50"E
C-21	700.00'	51°11'08"	335.28'	625.35'	604.76'	S74°45'19"E



**NOTE:**  
DEMO. PHASE 6A ALLEY "6" FROM STA 9+10 TO STA. 11+22.27. (SHEET NO. 13A).  
USE ALLEY "6" PROFILE ON SHEET NO. 19 OF 57 FOR PHASE 6B ALLEY "6" PAVING CONTINUATION.



**Winkelmann & Associates, Inc.**  
CONSULTING CIVIL ENGINEERS & SURVEYORS  
6750 HILGERT PLAZA, DRIVE, SUITE 100  
DALLAS, TEXAS 75220  
(972) 460-7000 FAX

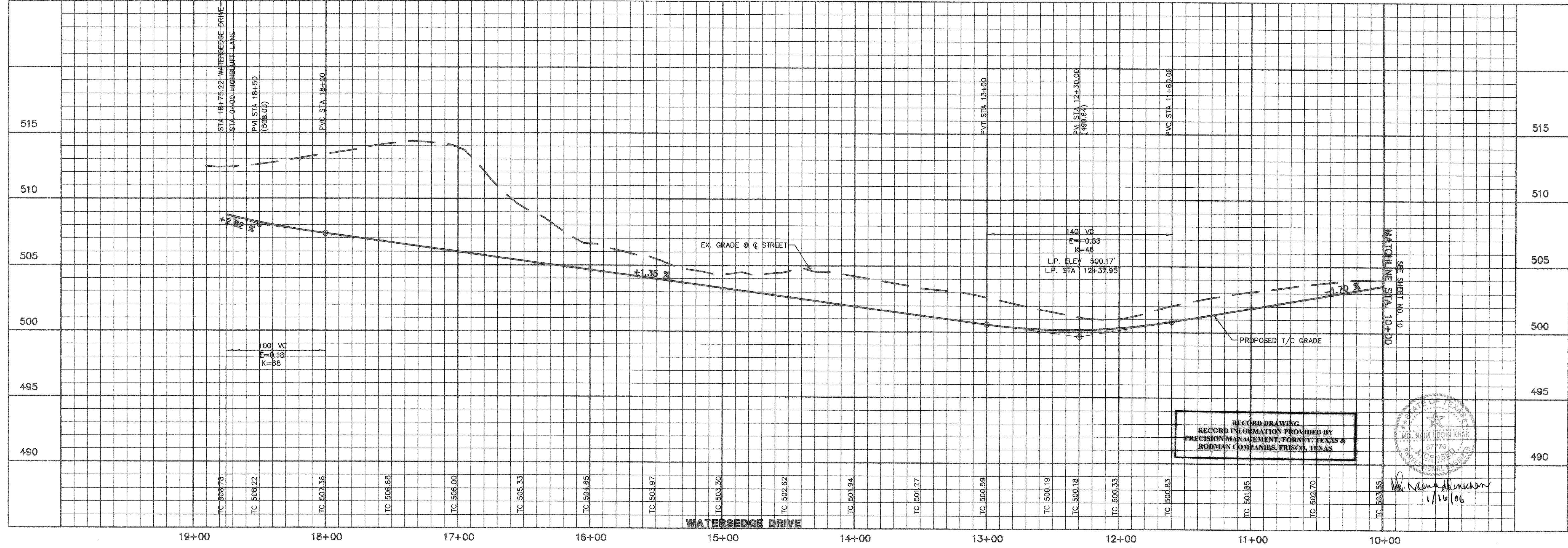
**APPROVED:** [Signature]  
**REVISION:** [Table with columns for NO., DATE, and REVISION]  
**DATE:** 1/16/06

THESE CONSTRUCTION PLANS WERE PREPARED BY MD. NAIM UDDIN KHAN, REGISTERED PROFESSIONAL ENGINEER NO. 87776

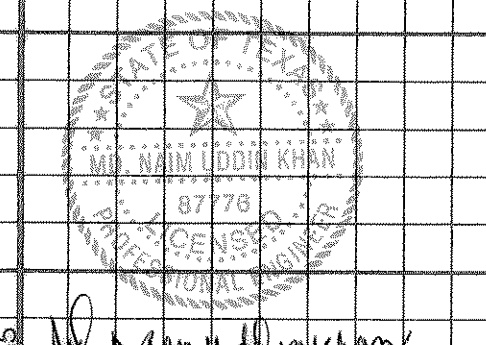
THE SEAL APPEARING ON THIS DOCUMENT WAS AUTHORIZED BY MD. NAIM UDDIN KHAN, # 87776

M.B. JONES SURVEY, ABSTRACT NO. 122  
CITY OF ROCKWALL  
ROCKWALL COUNTY, TEXAS

LUMBERMEN'S INVESTMENT CORPORATION  
5495 BELTLINE ROAD #225  
DALLAS, TEXAS 75240



**RECORD DRAWING**  
RECORD INFORMATION PROVIDED BY  
PRECISION MANAGEMENT, FORTNEY, TEXAS &  
RODMAN COMPANIES, FRISCO, TEXAS



**PHASE 6A & 6B**

Scale: 1" = 40'  
Designed By: RB  
Drawn By: MS  
Checked By: NK  
File: \\465646\PH08.dwg View:  
Project No.: 14654.01

**PAVING PLAN & PROFILE**  
**WATERSEDGE DRIVE STA 10+00 TO 18+75.22**  
**PAVING PLAN ALLEY "6" STA 6+00 TO 12+00**

**SHEET 11 OF 49**