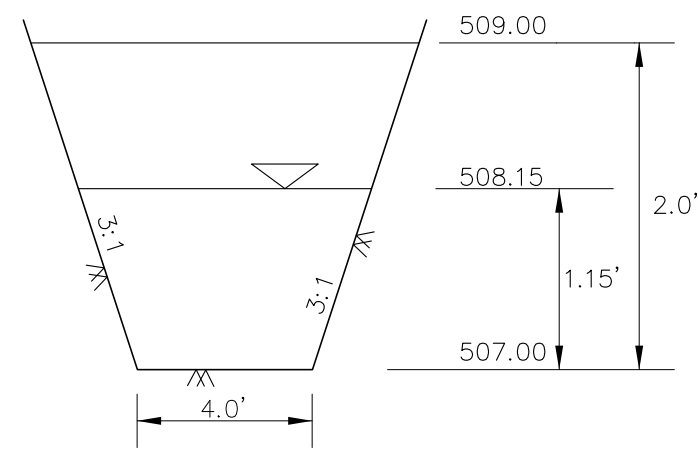


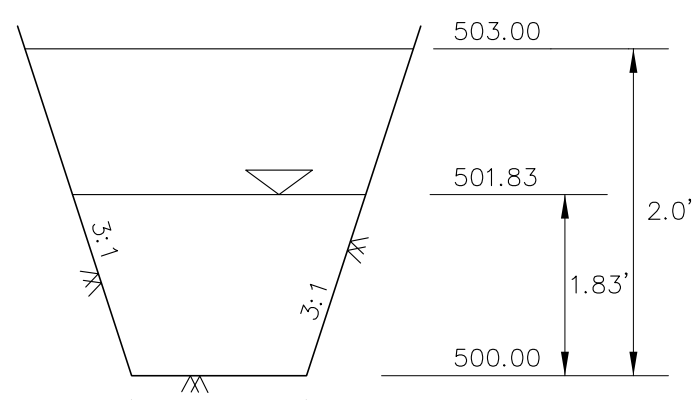
100 YR FLOW					
AREA DESIGNATION	AREA (ACRES)	C	T <sub>C</sub> (MIN)	I <sub>100</sub> (IN/HR)	Q <sub>100</sub> (CFS)
X	30.17	0.35	20	8.30	87.66
Y	1.80	0.35	20	8.30	5.23
Z	0.43	0.35	20	8.30	1.24



SEC A-A

N.T.S.

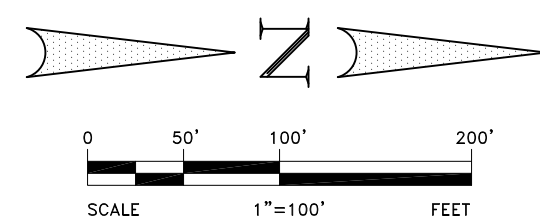
AREA = 64.26 AC  
 Q<sub>100</sub> = 64.26 c.f.s.  
 n = 0.035  
 S = 4.40%  
 d = 1.15'  
 V<sub>average</sub> = 7.50 ft/sec  
 Q<sub>cap</sub> = 201.28 c.f.s.



SEC B-B

N.T.S.

AREA = 30.17 AC  
 Q<sub>100</sub> = 87.64 c.f.s.  
 n = 0.035  
 S = 1.20%  
 d = 1.83'  
 V<sub>average</sub> = 5.05 ft/sec  
 Q<sub>cap</sub> = 105.12 c.f.s.



LEGEND

- AREA DESIGNATION
- AREA IN ACRES
- FLOW ARROWS
- PROPOSED INLETS
- EXISTING CONTOURS
- PROPOSED CONTOURS



THESE CONSTRUCTION PLANS WERE PREPARED UNDER THE RESPONSIBLE SUPERVISION OF M.D. NAIM JUDDIN KHAN, REGISTERED PROFESSIONAL ENGINEER NO. 87776

THE SEAL APPEARING ON THIS DOCUMENT WAS AUTHORIZED BY M.D. NAIM JUDDIN KHAN, # 87776

M.B. JONES SURVEY, ABSTRACT NO. 122  
 CITY OF ROCKWALL  
 ROCKWALL COUNTY, TEXAS  
 LUMBERMEN'S INVESTMENT CORPORATION  
 5495 BELLINE ROAD #225  
 DALLAS, TEXAS 75240

**OFF-SITE DRAINAGE AREA MAP  
 (UNDEVELOPED)**

Scale: 1"=100' Date: 3/24/04  
 Designed By: MS  
 Drawn By: MS  
 Checked By: BK  
 File: 146546noffdram.dwg  
 Project No.: 14654.01

SHEET  
**2**  
 OF  
**57**

NO.	DATE	REVISION	APPROV.

**Winkelmann & Associates, Inc.**  
 CONSULTING CIVIL ENGINEERS & SURVEYORS  
 6255 HILLCREST BLVD., SUITE 100  
 DALLAS, TEXAS 75230  
 (972) 492-7989 FAX