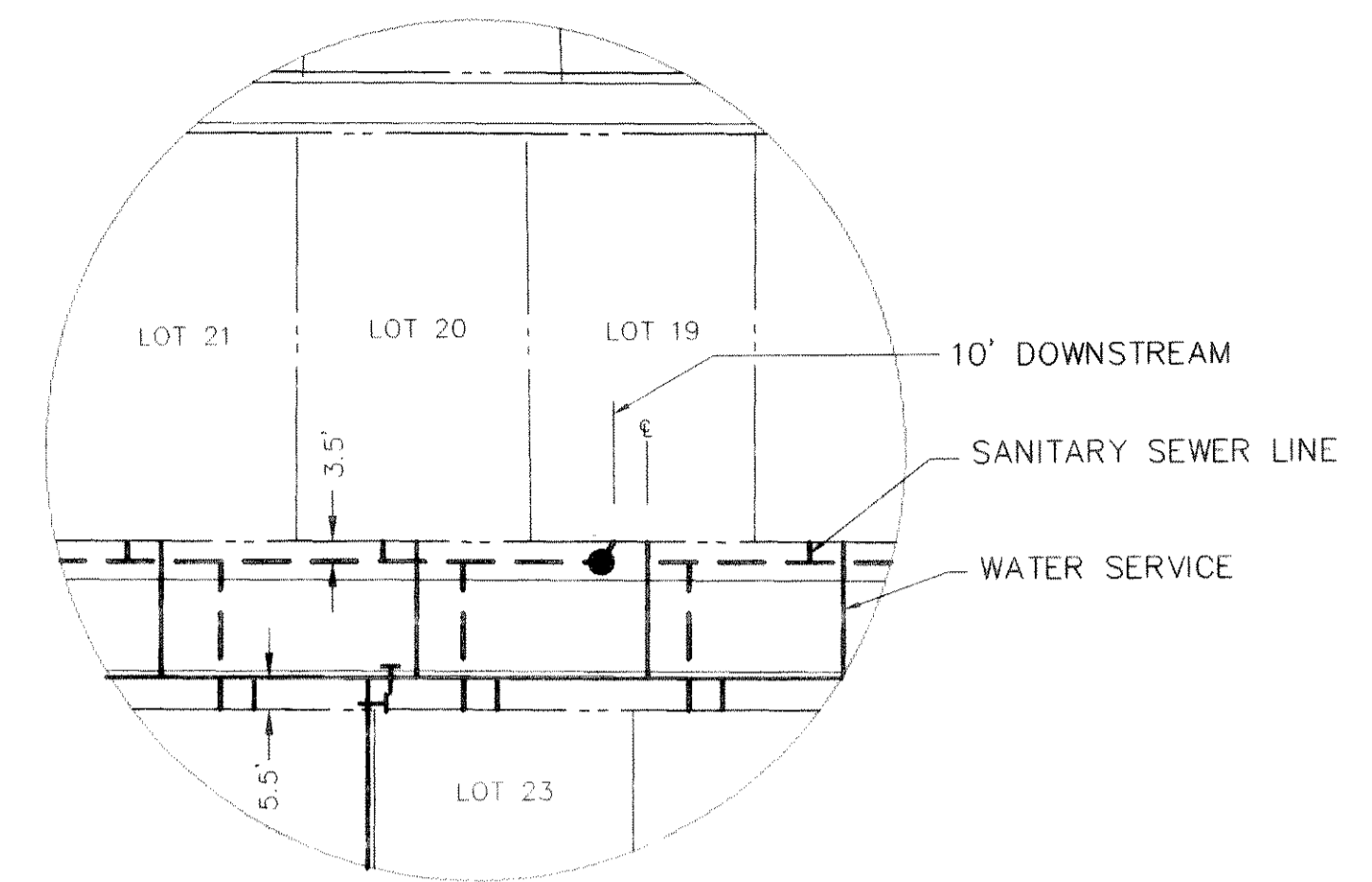
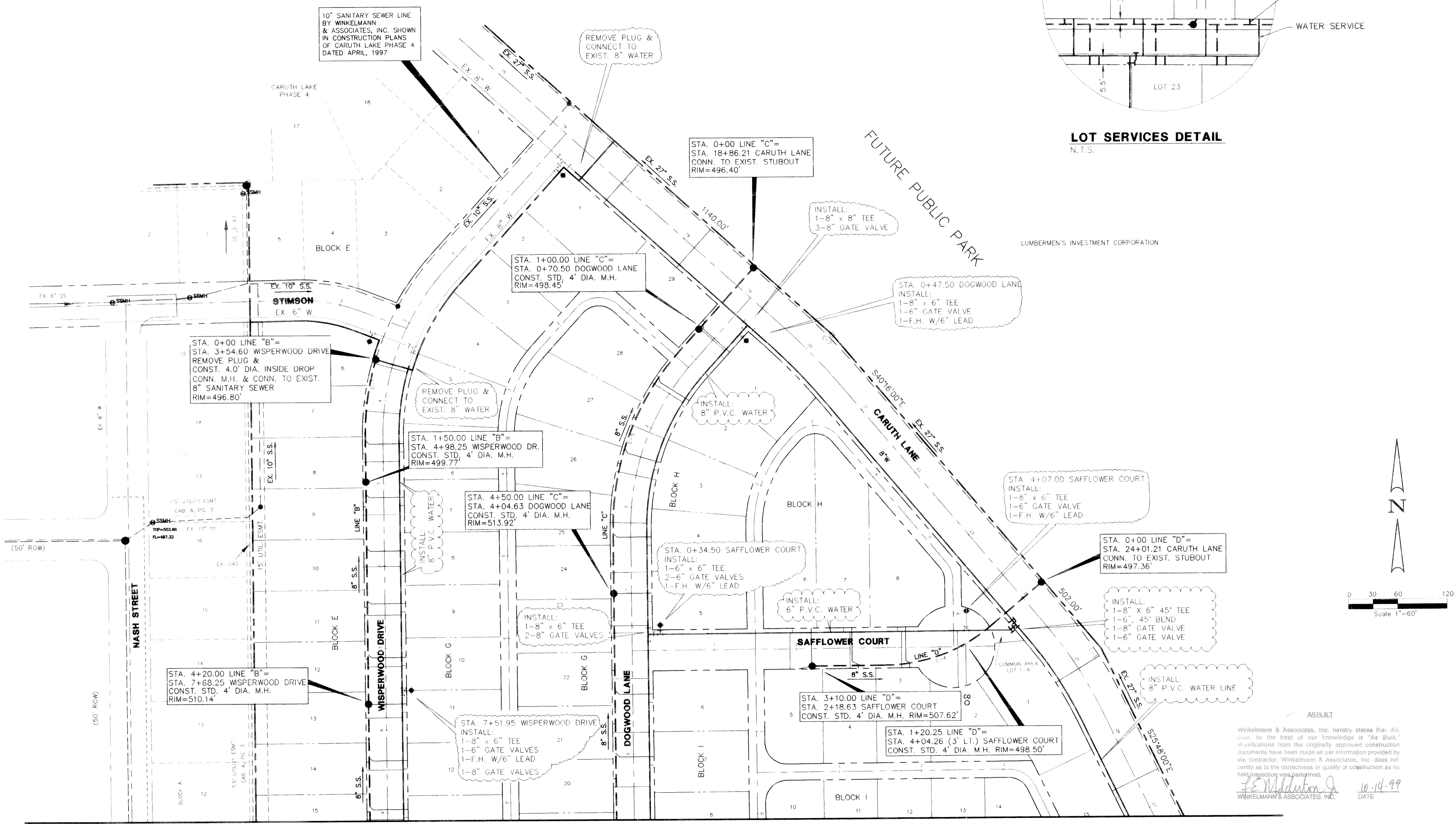
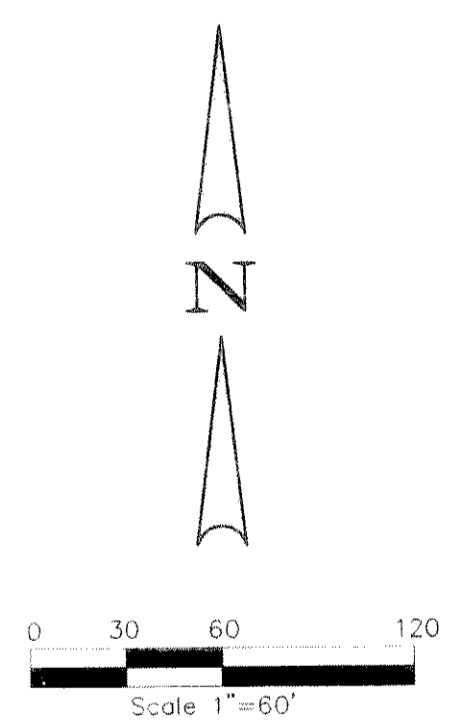


- NOTE:
 1. WATER LINE LOCATED 5' BACK OF CURB.
 2. SANITARY SEWER LOCATED 7' BACK OF CURB.
 3. ALL SEWER SERVICES ARE 4".
 4. ALL WATER SERVICES ARE 1" POLYETHYLENE.

CURVE	RADIUS	DELTA	TANGENT	LENGTH	CHORD	BEARING	PC STA.	PT STA.
C-1	321.50'	16°55'14"	47.82'	94.94'	94.60'	N08°08'25"E	1+55.05	2+49.99
C-2	779.50'	07°45'00"	52.80'	105.44'	105.36'	S44°08'30"E	-	-
C-3	329.50'	14°28'00"	67.20'	133.69'	133.34'	S33°02'00"E	-	-
C-4	200.00'	39°56'48"	72.59'	139.44'	136.63'	S69°42'24"W	0+80.86	2+20.30
C-5	321.50'	42°18'12"	124.39'	233.37'	232.02'	N20°48'54"E	1+35.13	3+72.50



LOT SERVICES DETAIL
N.T.S.



MATCH LINE
SEE SHEET NO. 20

Winkelmann & Associates, Inc. hereby states that this plan, to the best of our knowledge is "As Built."
 Modifications from the originally approved construction documents have been made as per information provided by the contractor. Winkelmann & Associates, Inc. does not certify as to the correctness or quality of construction as no field inspection was performed.
J.E. Middleton 10-14-99
 WINKELMANN & ASSOCIATES, INC. DATE

APPROV.	
REVISION	
DATE	
NO.	

Winkelmann & Associates, Inc.
 CONSULTING CIVIL ENGINEERS & SURVEYORS
 12800 HILLCREST ROAD, SUITE 200
 DALLAS, TEXAS 75230
 (972) 462-7990 FAX
 (972) 462-7996 FAX

CARUTH LAKE PHASE FIVE
 M.B. JONES SURVEY, ABSTRACT NO. 122
 CITY OF INDEPENDENCE
 ROCKWALL COUNTY, TEXAS
 LUMBERMEN'S INVESTMENT CORPORATION
 5495 BELLEVUE ROAD, SUITE 225
 DALLAS, TEXAS 75240

WATER AND SANITARY SEWER PLAN

Scale: 1"=60' Date: 5/28/98
 Designed By: R.B.
 Drawn By: F.B./N.K.
 Checked By: K.G.
 File: 14633MSS.DWG
 Project No.: 14633.01

c:\My Documents\AutoCAD Drawings\Caruth (14633) 14633MSS.dwg Thu Jul 30 14:50:36 1998 Plotted by Cecil A. Drescher