

PAVING CURVE DATA

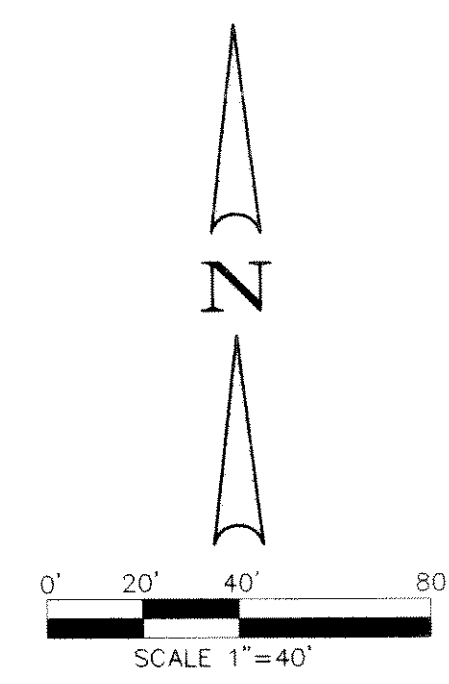
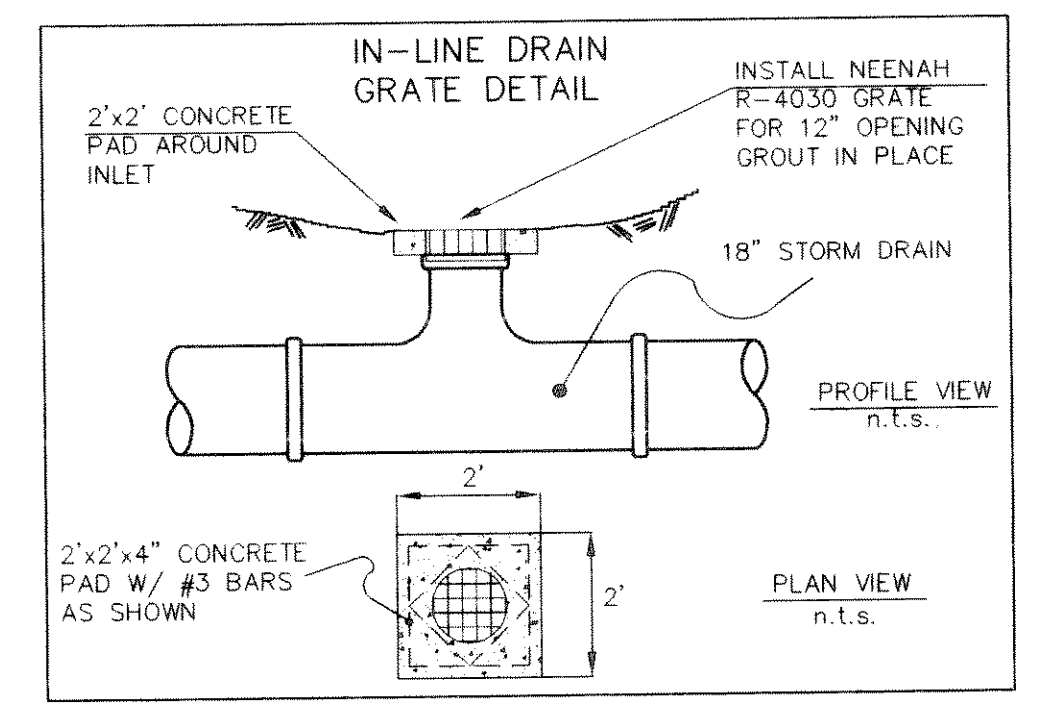
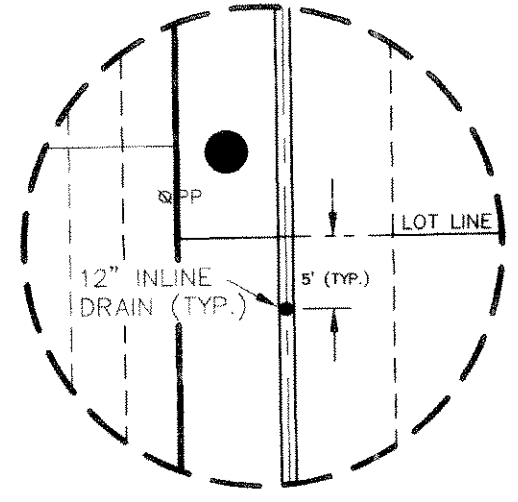
CURVE	RADIUS	DELTA	TANGENT	LENGTH	CHORD	BEARING
C-1	34.50'	90°00'00"	34.50'	54.19'	48.79'	N45°19'12"W
C-2	300.00'	29°38'35"	79.38'	156.21'	153.49'	S75°29'55"E
C-3	300.00'	29°38'35"	79.38'	156.21'	153.49'	S75°29'55"E
C-4	100.00'	60°21'25"	58.15'	105.35'	100.54'	N59°30'05"E

PAVING TANGENT TABLE

TANGENT	BEARING	LENGTH
T1	S00°19'12"E	133.45'
T2	N89°40'48"E	269.92'
T3	S60°40'37"E	120.96'
T4	N29°19'23"E	47.48'
T5	N89°40'48"E	47.17'

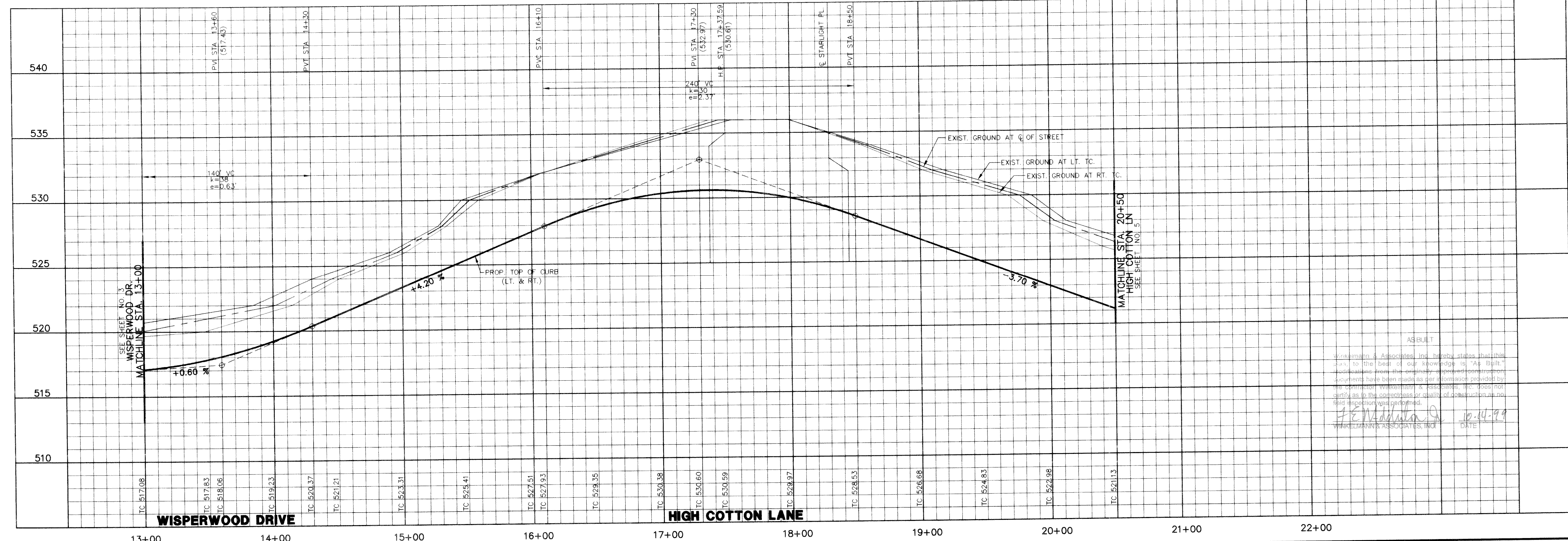
LEGEND

TP	TOP OF PAVING
TC	TOP OF CURB
INV	INVERT
VG	VALLEY GUTTER
CR	CURB RETURN
②	STREET STATION
①	EXIST. PAVEMENT
⑥	STORM STATION



BENCHMARK: PK NAIL IN C OF CARUTH LANE & ALLEY INTERSECTION 150'± EAST OF MORNINGSTAR DRIVE. ELEV. 491.68

BENCHMARK: "X" CHISELED IN C OF ALLEY EAST OF MORNINGSTAR DRIVE WITHIN 3RD LOT NORTH OF MIDNIGHT PASS. ELEV. 513.26



Winkelmann & Associates, Inc.
 CONSULTING CIVIL ENGINEERS & SURVEYORS
 5405 North Loop West, Suite 200
 Dallas, Texas 75245 (972) 492-7000 FAX

APPROVAL: [Signature]

REVISION: [Table]

DATE: [Table]

NO. [Table]

CARUTH LAKE PHASE FIVE
 S.S. MCCURRY SURVEY, ABSTRACT NO. 146
 M.B. JONES SURVEY, ABSTRACT NO. 122
 CITY OF ROCKWALL, TEXAS
 ROCKWALL COUNTY, TEXAS
 LUMBERMEN'S INVESTMENT CORPORATION
 5495 BELLEVUE ROAD, SUITE 225
 DALLAS, TEXAS 75240

PAVING & DRAINAGE PLAN / PAVING PROFILE
WISPERWOOD DR. STA. 13+00 TO STA. 14+60.55
HIGH COTTON LN. STA. 14+60.55 TO STA. 20+50
ALLEY '11' STA. 0+00 TO STA. 2+00

Scale: 1" = 40' Date: 5/26/98
 Designed By: JG
 Drawn By: MK
 Checked By: F.E.M.
 File: 14633PR0.DWG
 Project No.: 14633-01

ASBULT
 Winkelmann & Associates, Inc. hereby states that this work is the best of our knowledge to "As Built" conditions from the original project construction. No warranty has been made as per information provided by the contractor. Winkelmann & Associates, Inc. does not certify as to the correctness or quality of construction as no field inspection was performed.
 [Signature] DATE: 10-14-99
 WINKELMANN'S ASSOCIATES, INC.

SHEET 4 OF 31